

Betriebsanleitung  
 Operating Instructions  
 Instructions de service  
 Istruzioni d'uso  
 Handleiding  
 Instrucciones para el manejo  
 Manual de instruções  
 Naudojimosi instrukcija  
 Kasutusjuhend  
 Lietošanas instrukcija  
 Driftsinstruks  
 Driftsinstruktioner  
 Käyttöohje  
 Driftsvejledning  
 Instrukcja obsługi

Kezelési útmutató  
 Návod k obsluze  
 Navodilo za uporabo  
 Návod na obsluhu  
 Upute za rad  
 Manual de operatii  
 Treoracha Oibriúcháin  
 Οδηγίες χρήσης  
 El Kitabi  
 Инструкции за експлоатация  
 Инструкция по эксплуатации  
 取扱説明書  
 사용설명서  
 使用说明书

**KDT 3.140**

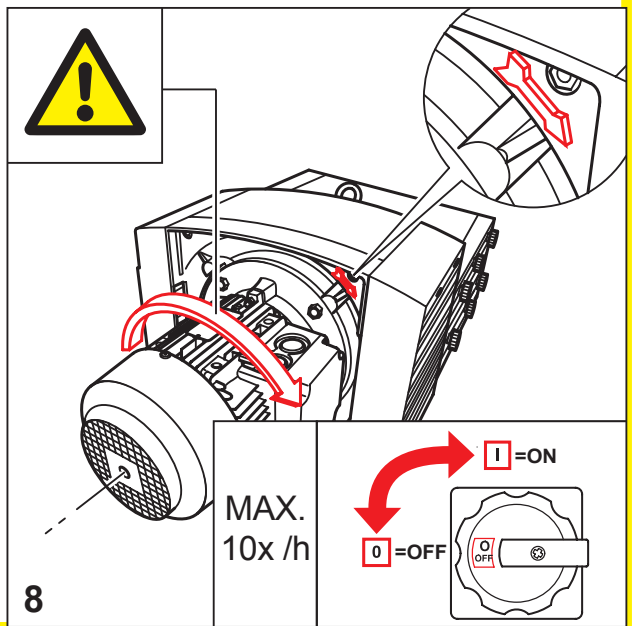
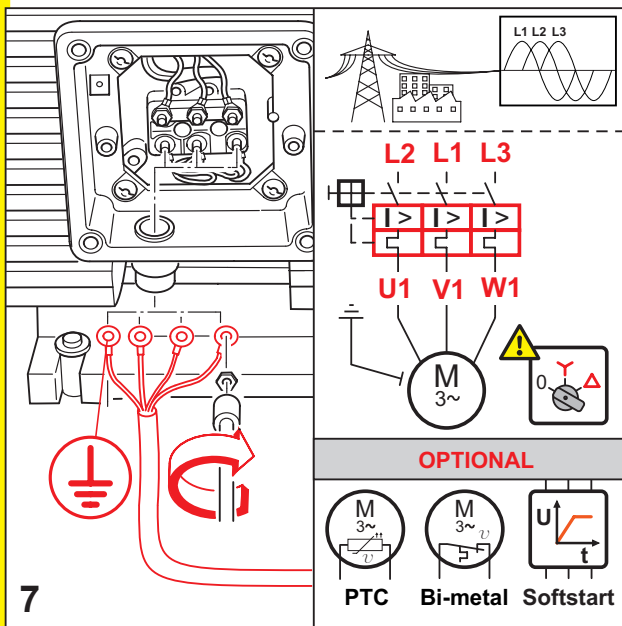
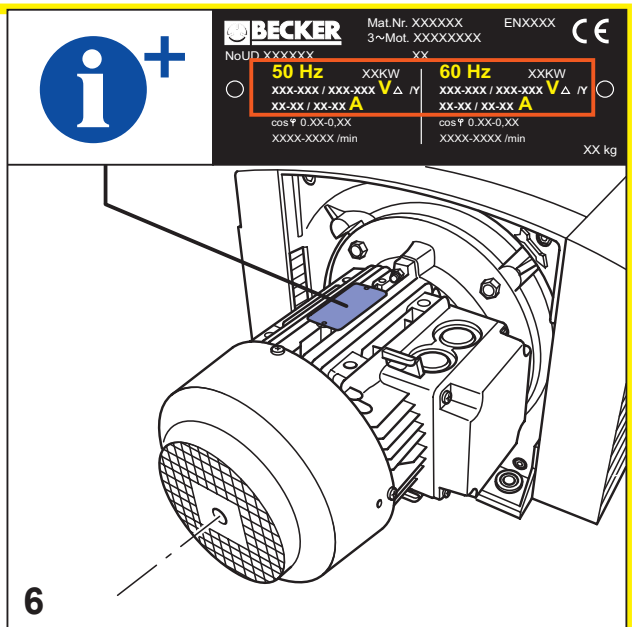
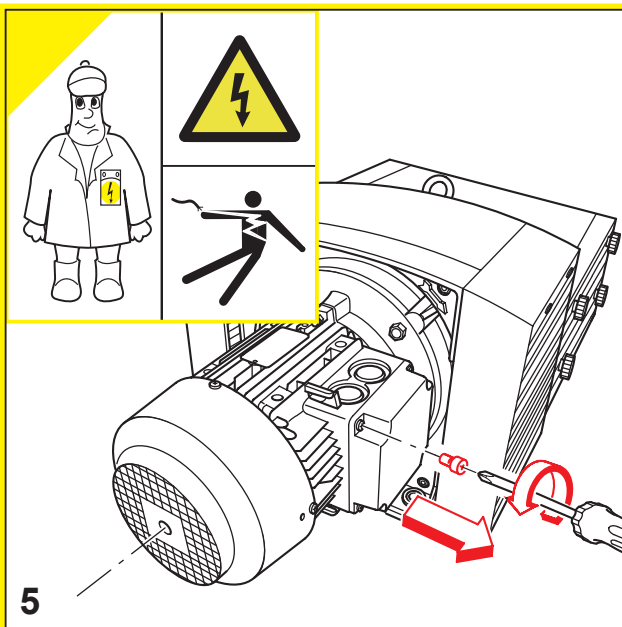
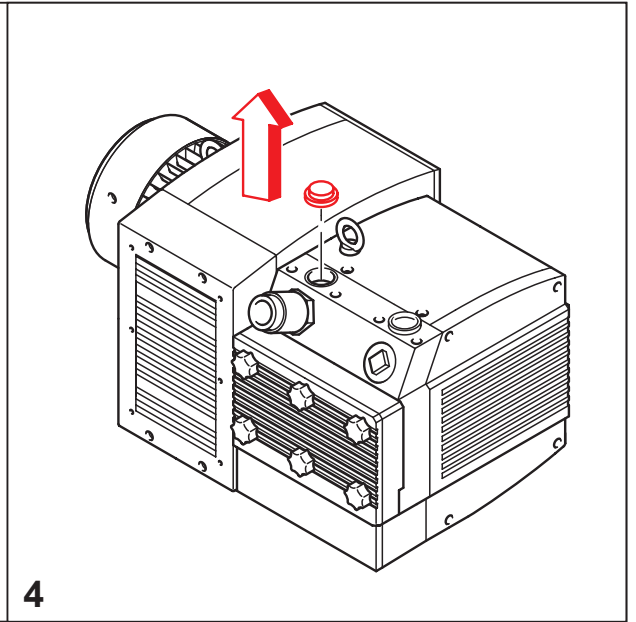
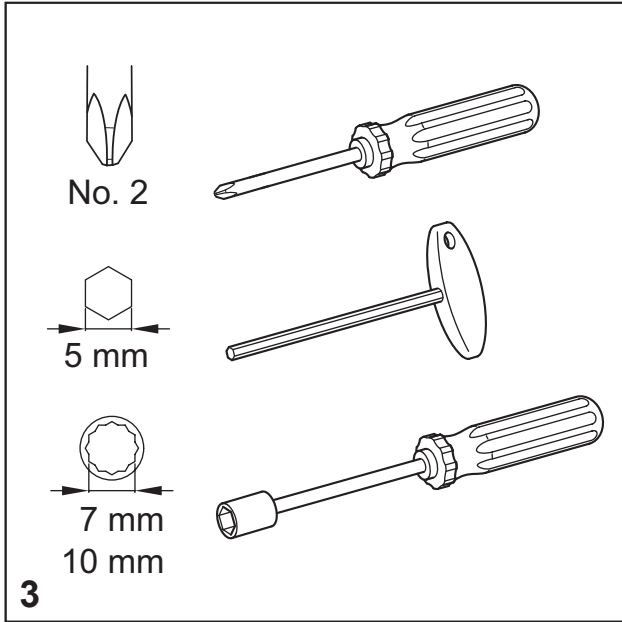
2006/42/EG

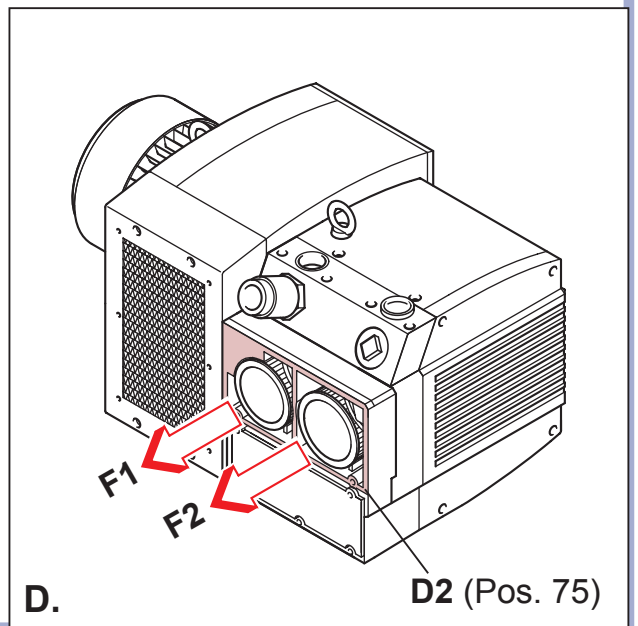
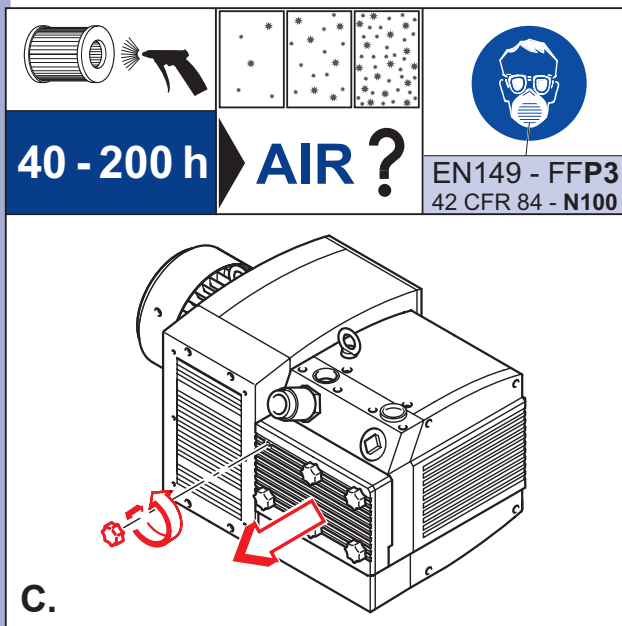
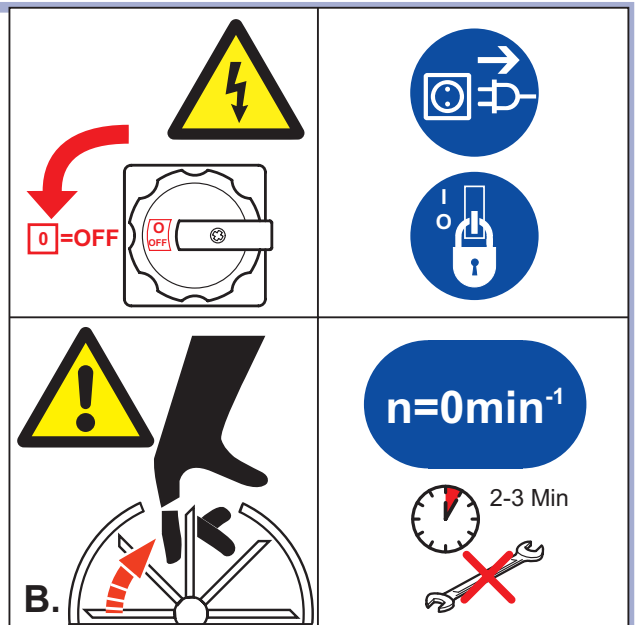
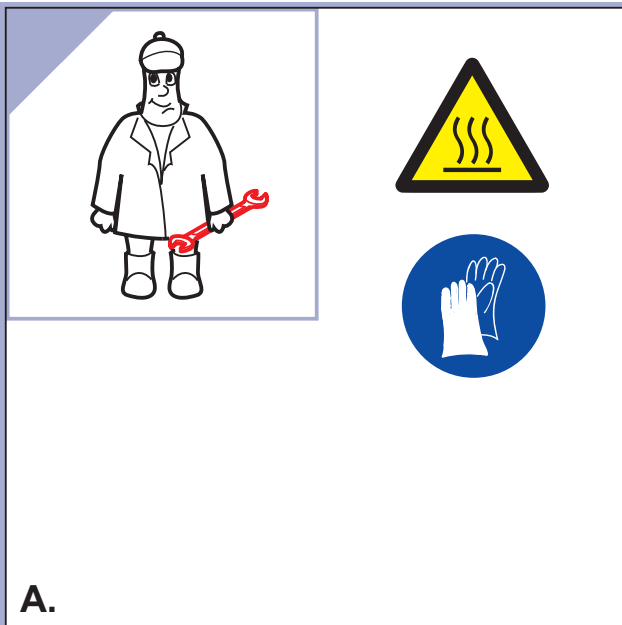
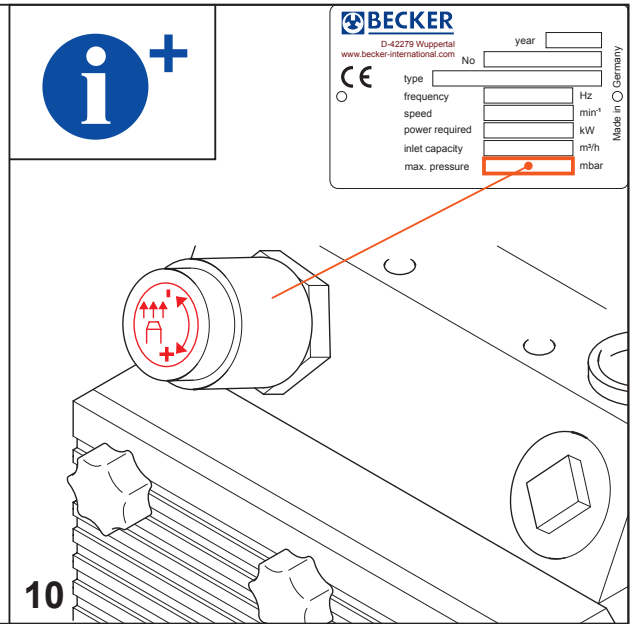
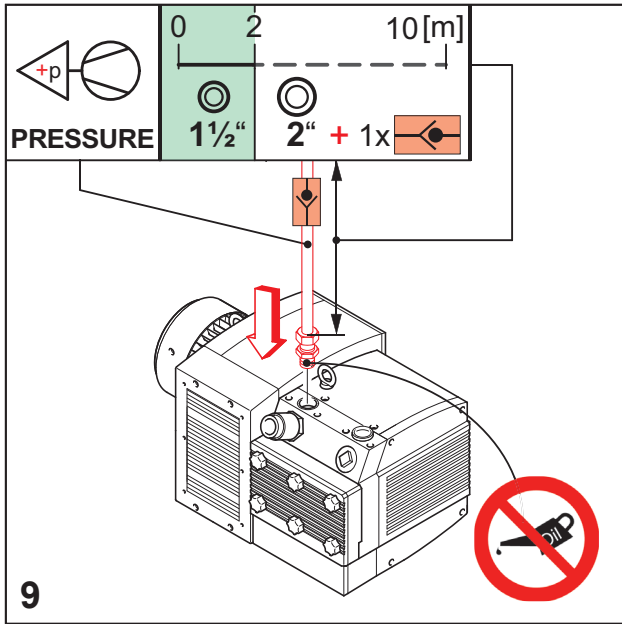


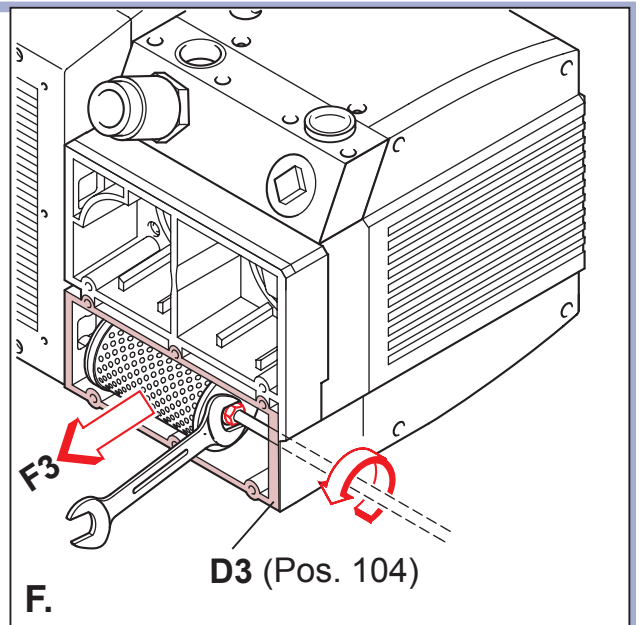
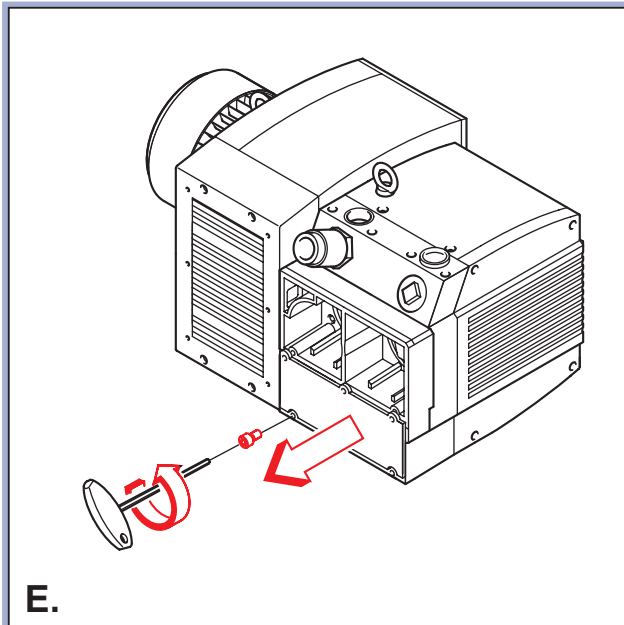
DIN EN ISO 9001  
 001929 QM  
 DIN EN ISO 14001:2015

|  |  |                                                                                                                                                                    |  |
|--|--|--------------------------------------------------------------------------------------------------------------------------------------------------------------------|--|
|  |  |                                                                                                                                                                    |  |
|  |  |                                                                                                                                                                    |  |
|  |  |                                                                                                                                                                    |  |
|  |  |                                                                                                                                                                    |  |
|  |  | <p> <math>L_{pA} = 82 \text{ dB(A)} - 50\text{Hz}</math><br/> <math>L_{pA} = 84 \text{ dB(A)} - 60\text{Hz}</math><br/> <math>K_{pA} = 3 \text{ dB(A)}</math> </p> |  |

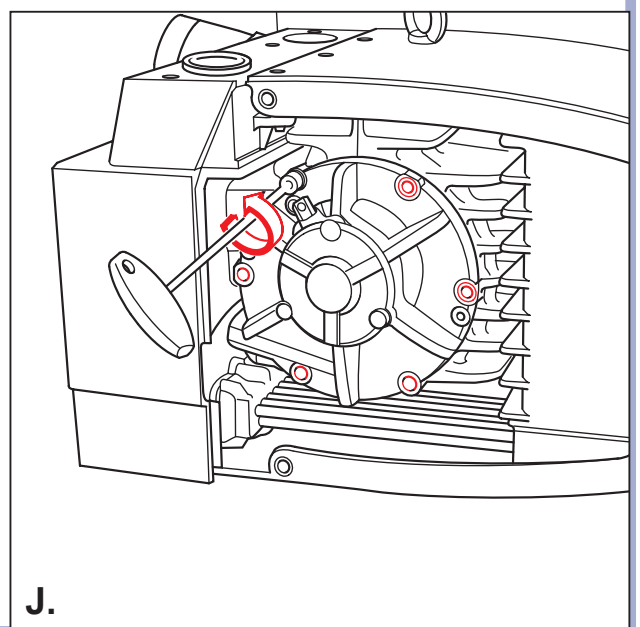
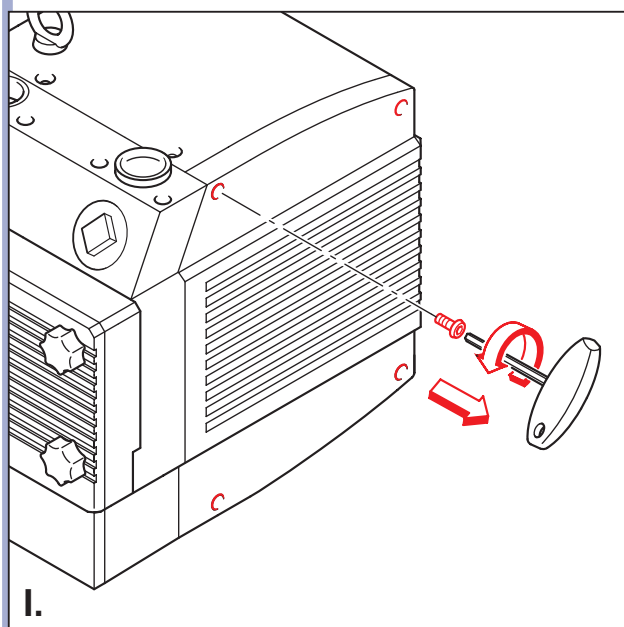
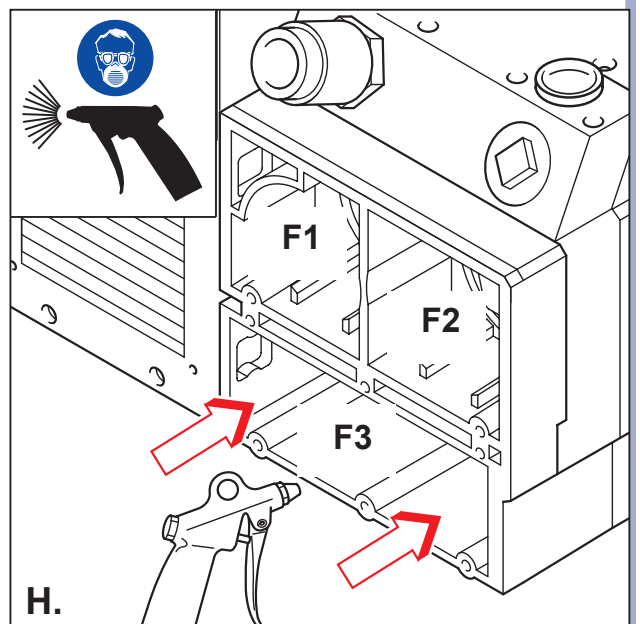
|                                   |  |  |  |                                                                       |  |  |  |                  |
|-----------------------------------|--|--|--|-----------------------------------------------------------------------|--|--|--|------------------|
|                                   |  |  |  | <p> <math>A &gt; 100\text{mm}</math><br/> <math>A &gt; 4"</math> </p> |  |  |  |                  |
| <p>136-140 kg<br/>300-309 lbs</p> |  |  |  | <p>max. 90%</p>                                                       |  |  |  | <p>max. 800m</p> |
|                                   |  |  |  |                                                                       |  |  |  |                  |

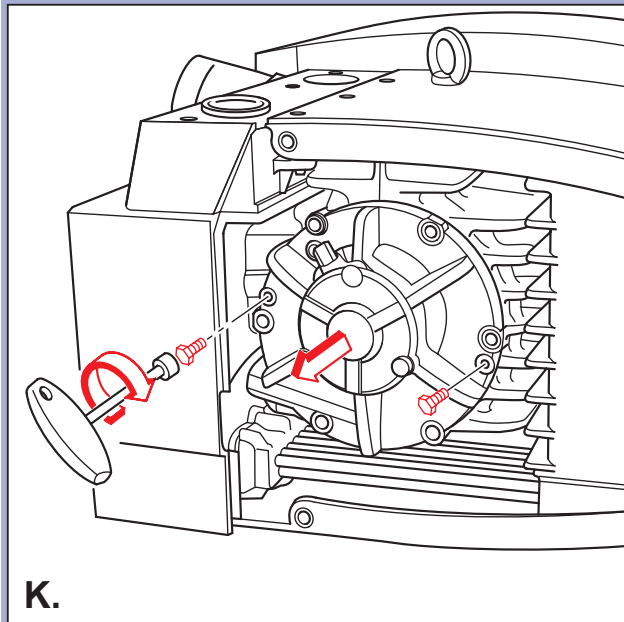







|                                                         |                                                                                                              |                                                    |
|---------------------------------------------------------|--------------------------------------------------------------------------------------------------------------|----------------------------------------------------|
|                                                         |                                                                                                              |                                                    |
| <p><b>F1 = F2</b><br/>(standard)</p> <p>No.: 909507</p> | <p><b>F2*</b> (polyester)<br/>KDT 3.140/6</p> <p>No.: 909587</p>                                             | <p><b>F3</b><br/>(standard)</p> <p>No.: 909514</p> |
|                                                         | <p>Satz / Kit<br/>Pos.: 17, 20, 24, 62, 75, 76, 85, 86, 104, 122, 125, 126, 146</p> <p>No.: 549000 21300</p> |                                                    |

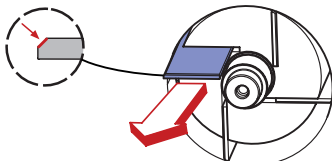


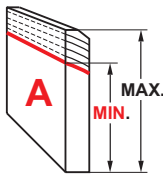


K.




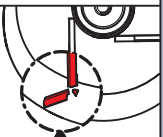
**3000 h**



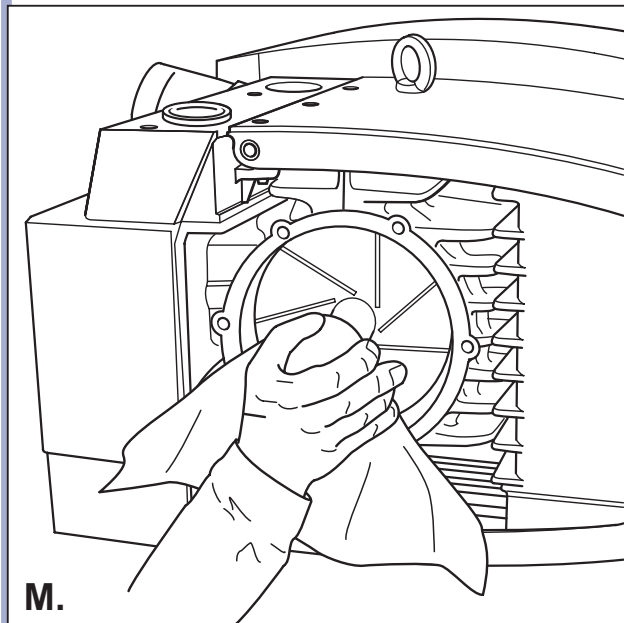


$A_{MAX} = 48mm$   
 $A_{MIN} = 31mm$

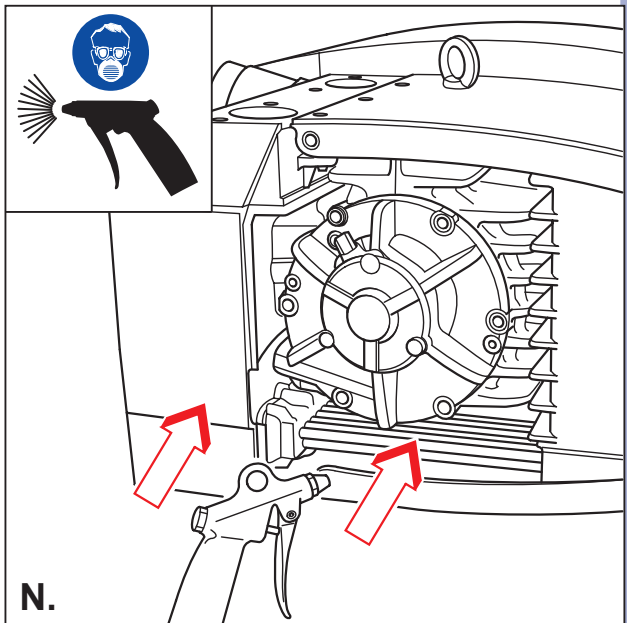
$A_{spray} < 31mm$  




|                      |                         |
|----------------------|-------------------------|
| KDT 3.140 (standard) | → No. 90133400004 (SET) |
| KDT 3.140/0-52       | → No. 90138100004 (SET) |
| KDT 3.140/6          | → " "                   |
| KDT 3.140/6-29       | → No. 90138100007 (SET) |
| KDT 3.140/6-71       | → " "                   |
| KDT 3.140/6-71 HD    | → No. 90138500007 (SET) |



M.




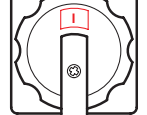
N.




No. 74330500000



**2000 h**



1.  = ON



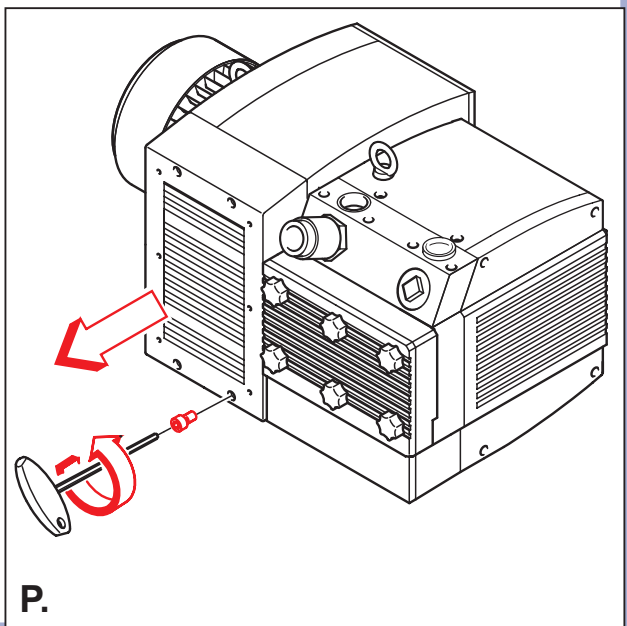
2. Special grease



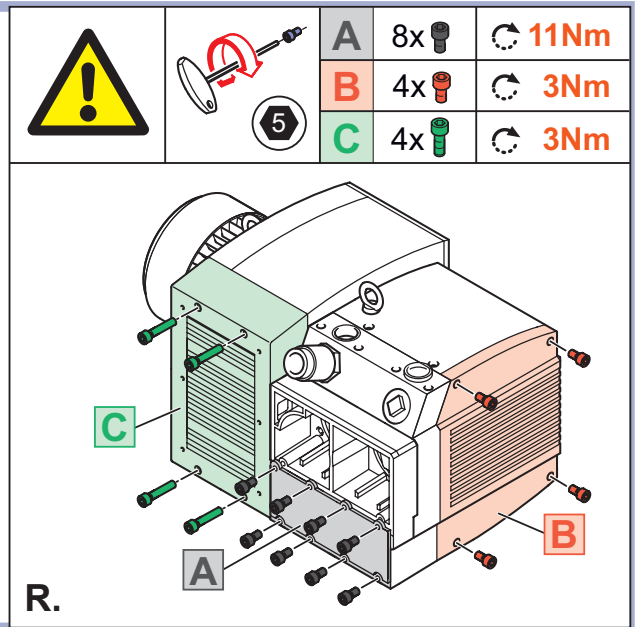
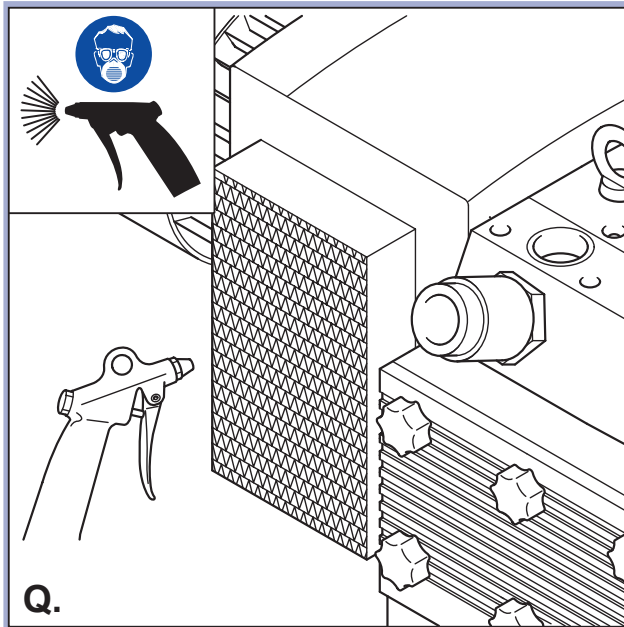
15x   (≈7g)

15x  

O.



P.



Gebr. Becker GmbH  
 Hölker Feld 29-31  
 D-42279 Wuppertal  
 info@becker-international.com

---

**SERVICE**  
[www.becker-international.com](http://www.becker-international.com)  
 Sales and service network