

Betriebsanleitung
Operating Instructions
Instructions de service
Istruzioni d'uso
Handleiding
Instrucciones para el manejo
Manual de instruções
Naudojimosi instrukcija
Kasutusjuhend
Lietošanas instrukcija
Driftsinstruks
Driftsinstruktioner
Käyttöohje
Driftsvejledning
Instrukcja obsługi

Kezelési útmutató
Návod k obsluze
Navodilo za uporabo
Návod na obsluhu
Upute za rad
Manual de operatii
Treoracha Oibriúcháin
Οδηγίες χρήσης
Ei Kitabi
Инструкции за експлоатация
Инструкция по эксплуатации
取扱説明書
사용설명서
使用说明书

KVT 3.100

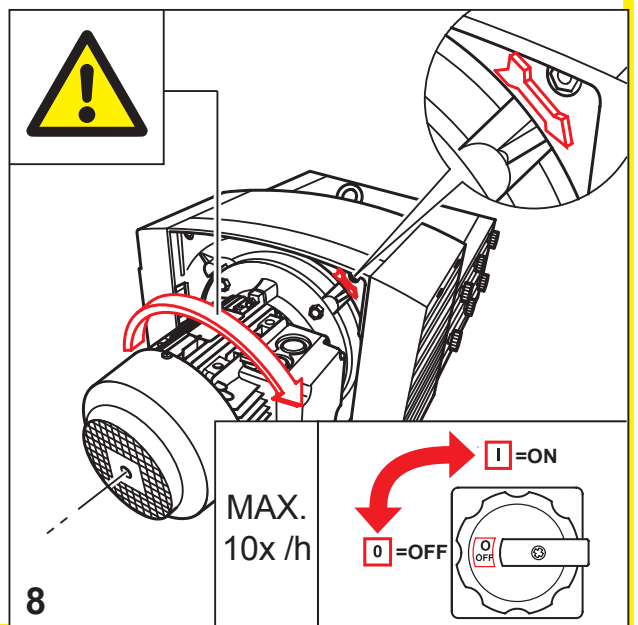
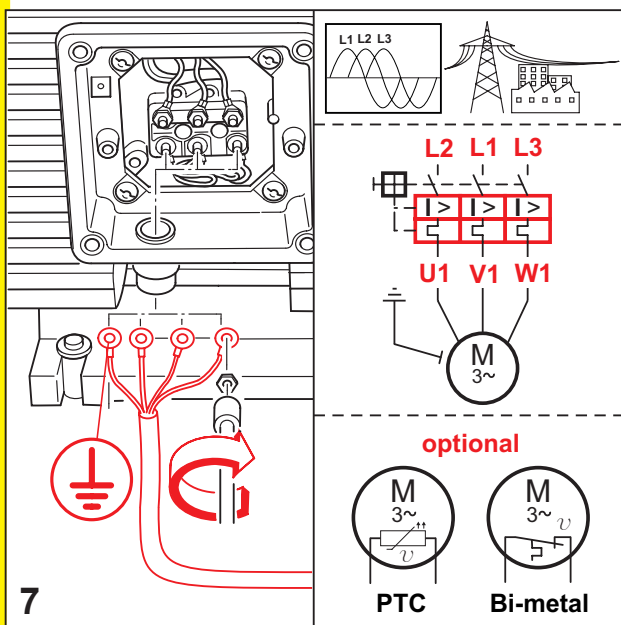
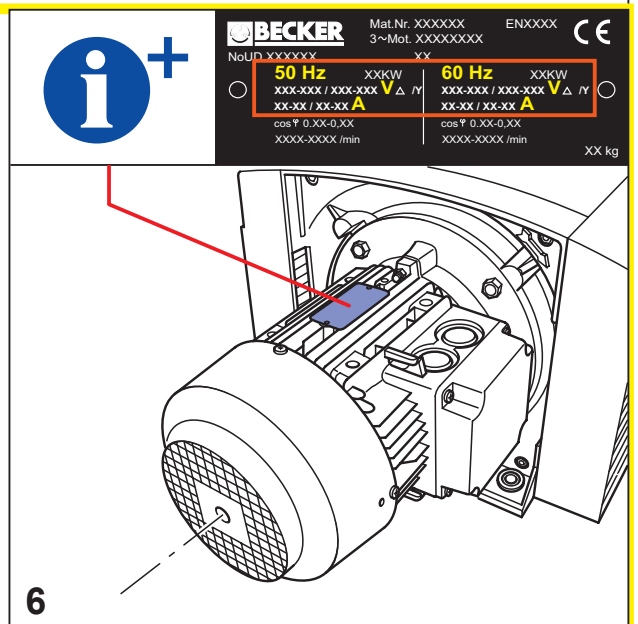
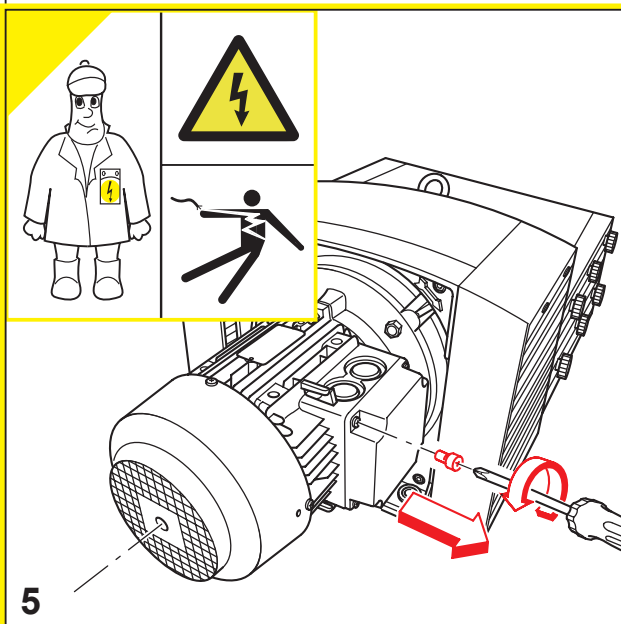
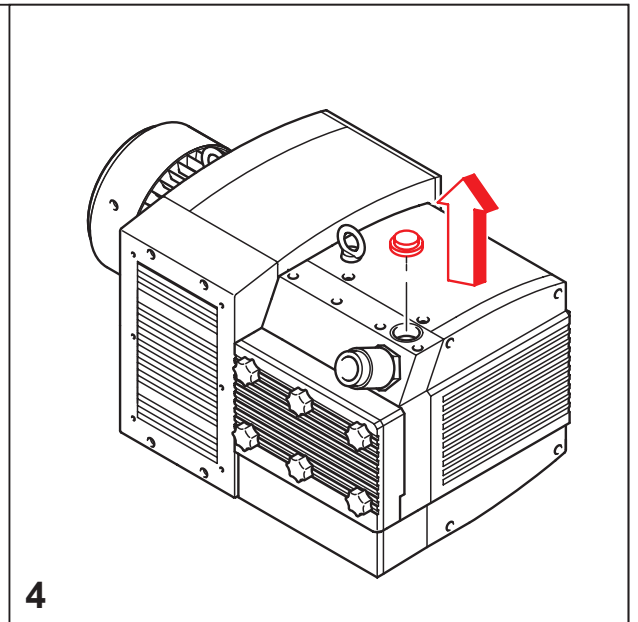
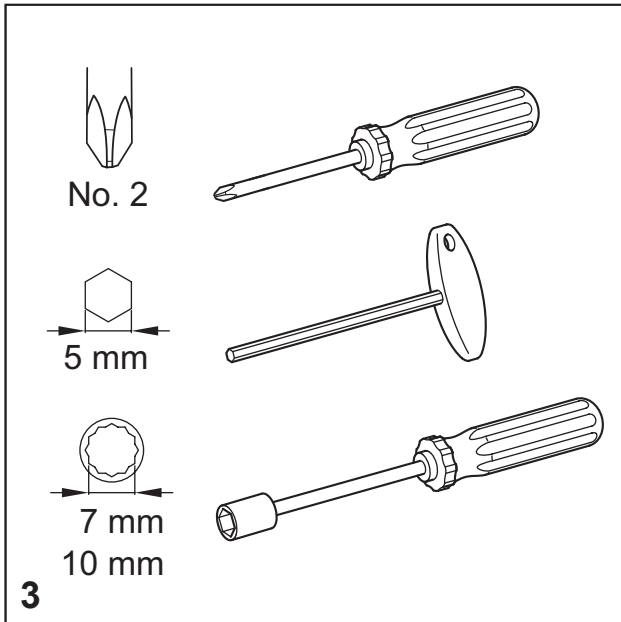
2006/42/EG

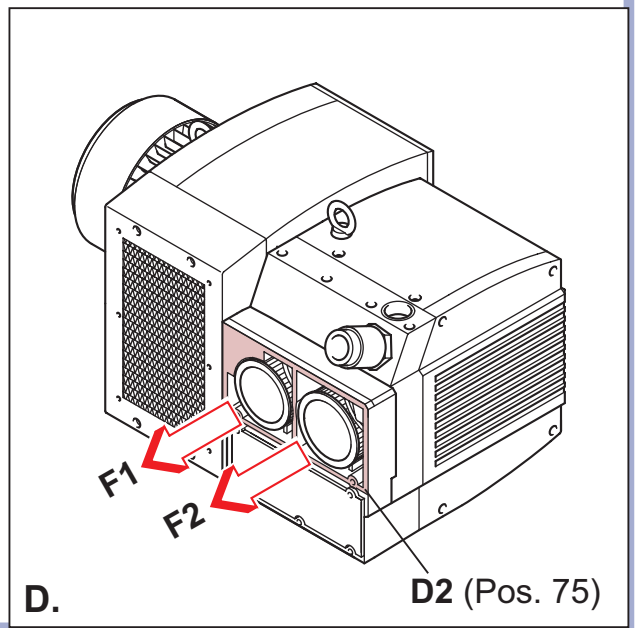
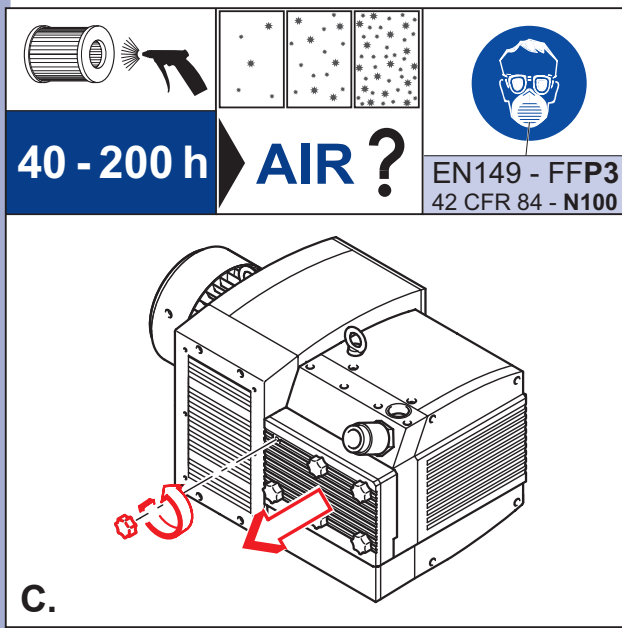
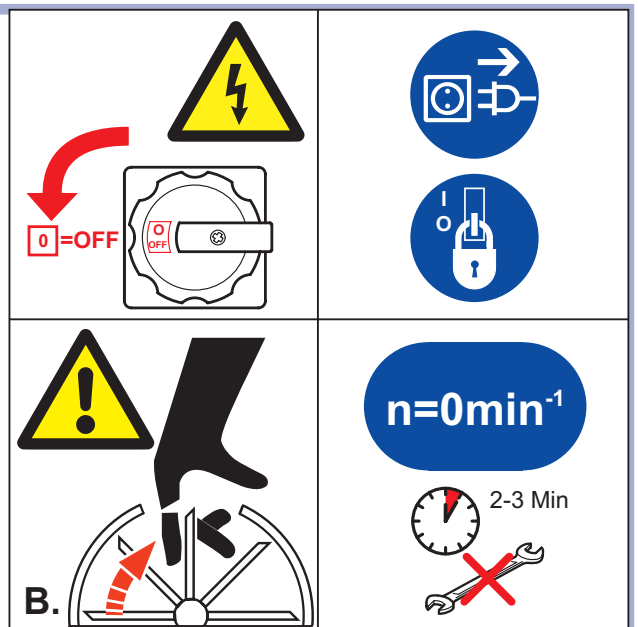
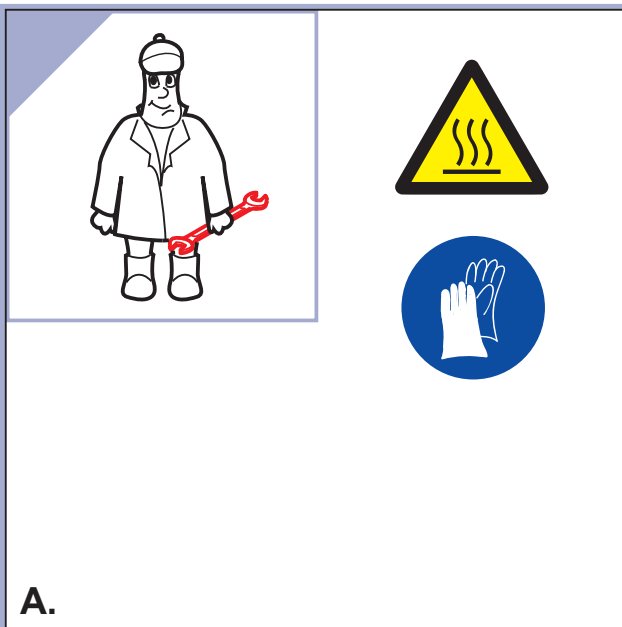
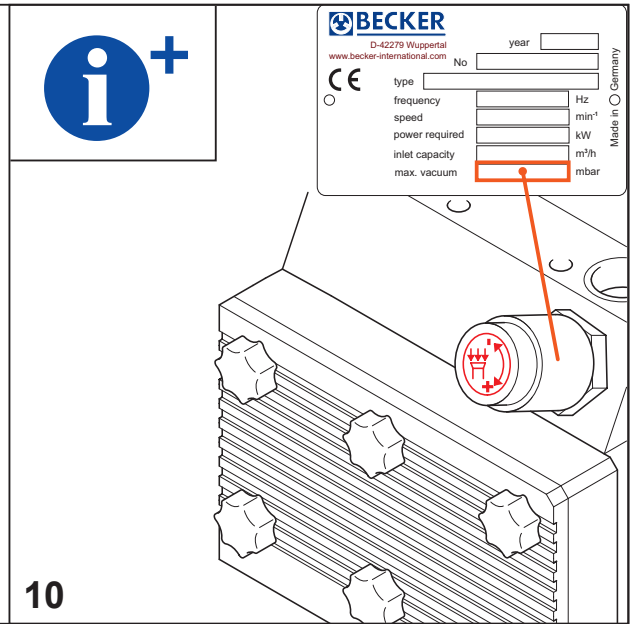
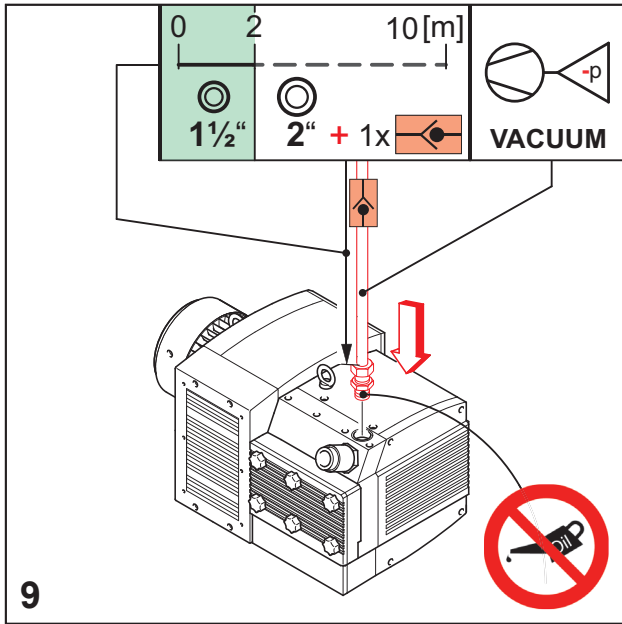


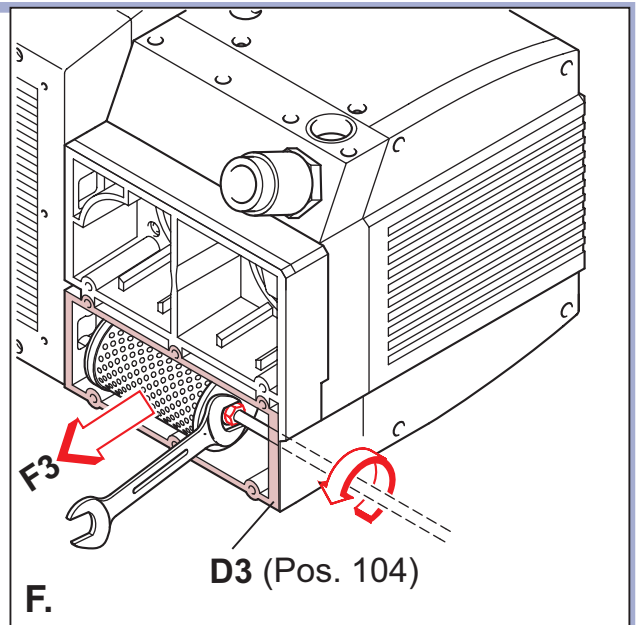
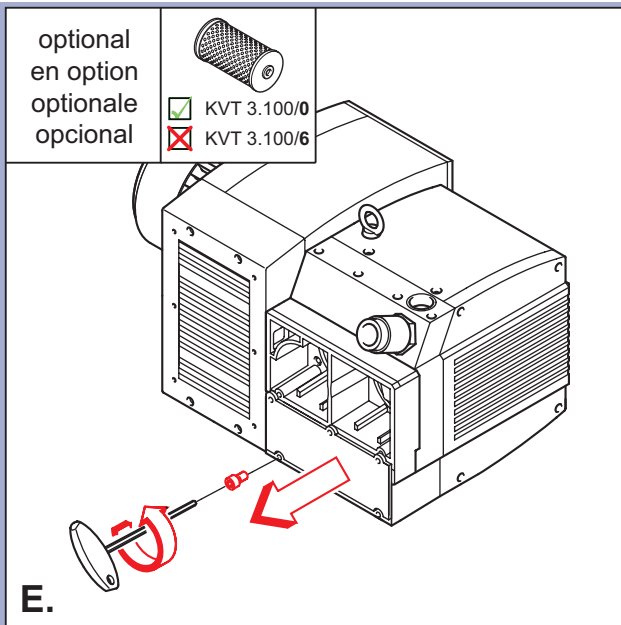
DIN EN ISO 9001
 001929 QM
 DIN EN ISO 14001:2015

				mbar
			$L_{pA} = 75 \text{ dB(A)} - 50\text{Hz}$ $L_{pA} = 77 \text{ dB(A)} - 60\text{Hz}$ $K_{pA} = 3 \text{ dB(A)}$	

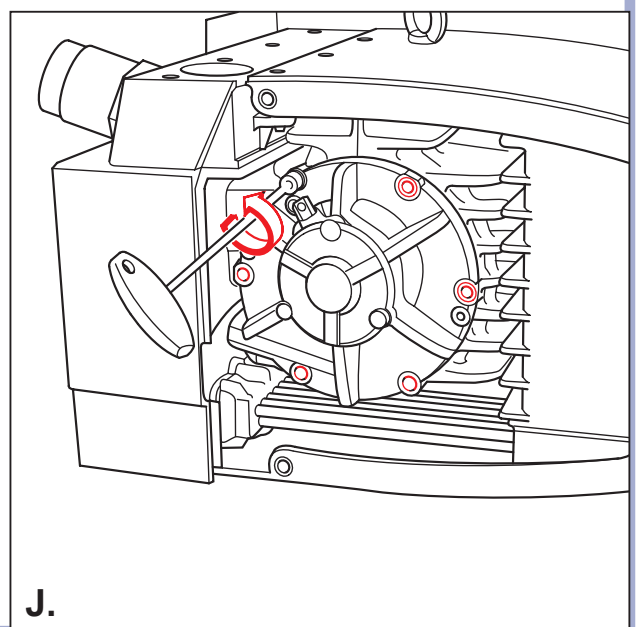
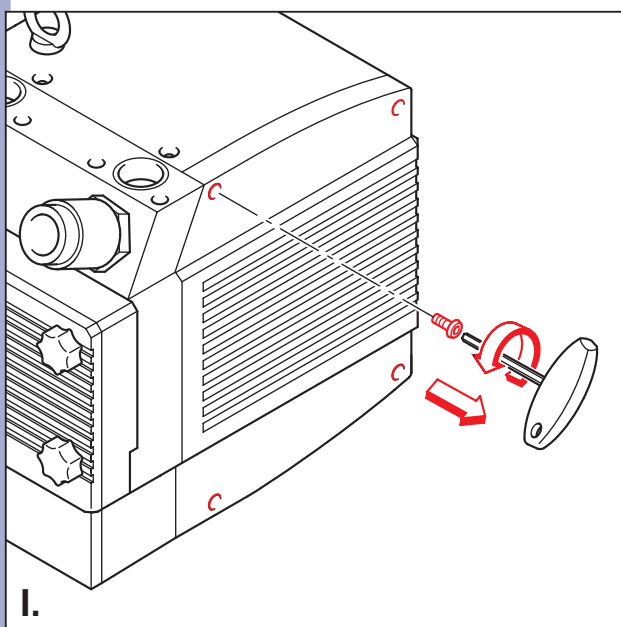
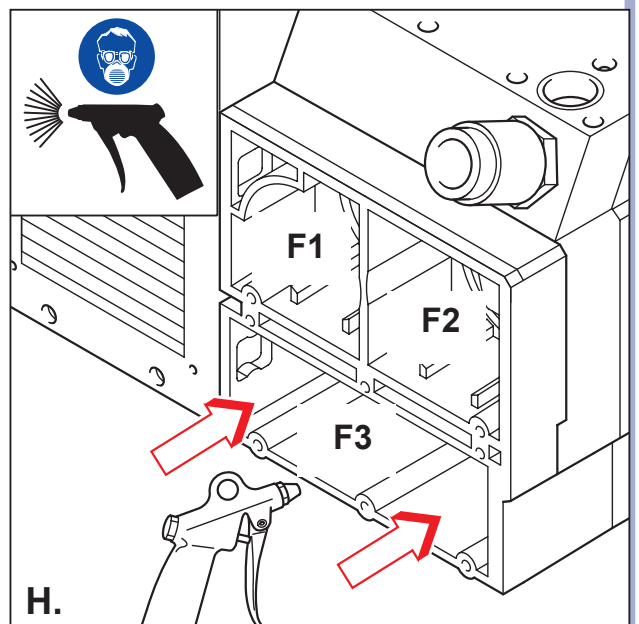
				101 kg 223 lbs	$A > 100\text{mm}$ $A > 4"$			

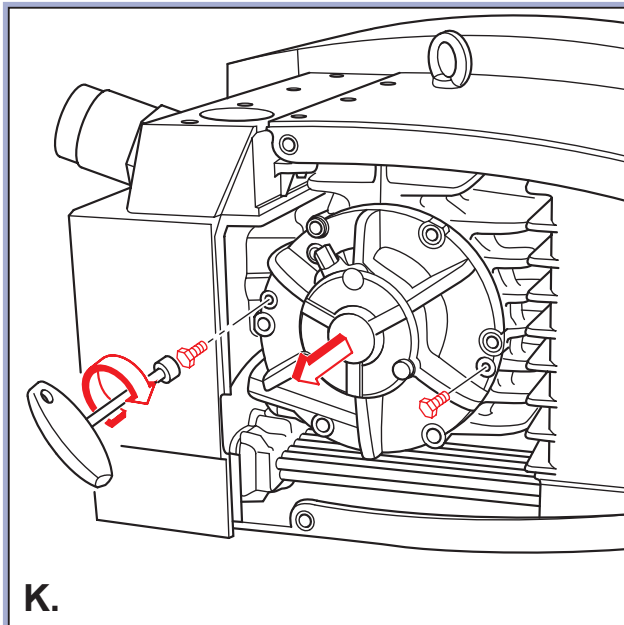






		<input checked="" type="checkbox"/>
F1 = F2 (standard)	F2* (polyester) KVT 3.100/6	F3 (standard)
No.: 909507	No.: 909587	No.: 909514
	Satz / Kit Pos.: 17, 20, 24, 62, 75, 76, 85, 86, 104, 122, 125, 126, 146 No.: 549000 21300	





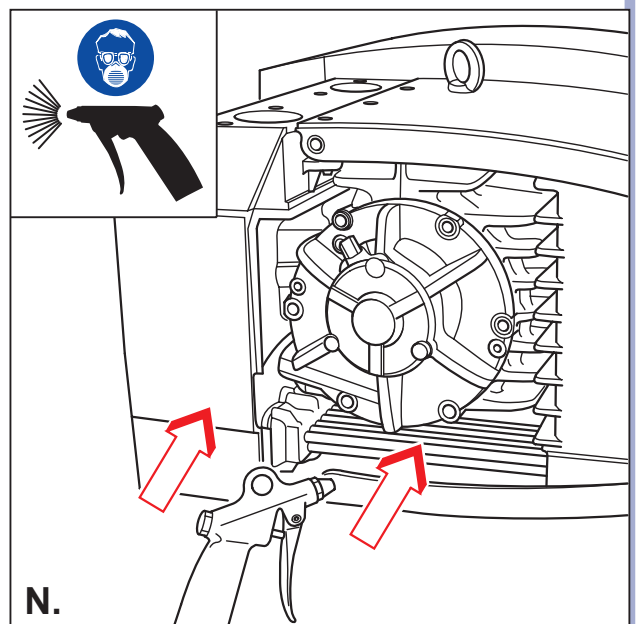
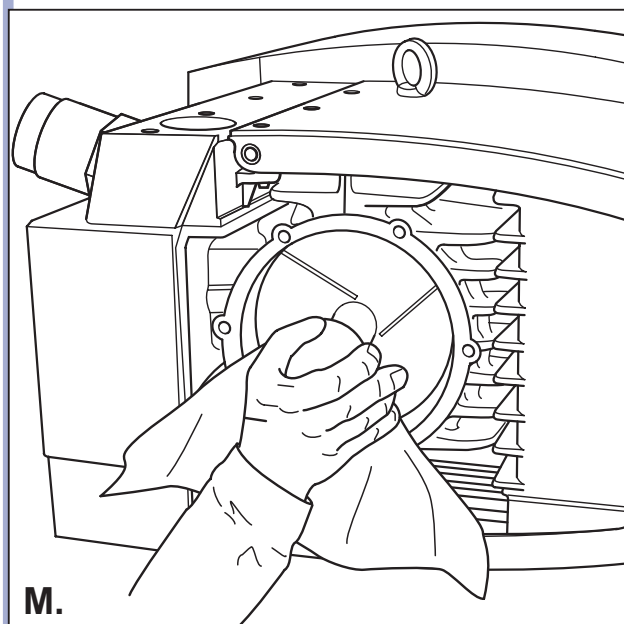
3000 h

$A_{MAX} = 39mm$
 $A_{MIN} = 26mm$

$A_{spray} < 26mm$ →

KVT 3.100 (standard) → No. 90133300004 (SET)
KVT 3.100/6 → No. 90138000004 (SET)

L.



No. 74330500000

2000 h

1. = ON

2. Special grease

O.


5

A	8x	11Nm
B	4x	3Nm
C	4x	3Nm

P.



www.becker-international.com



Gebr. Becker GmbH
 Hölker Feld 29-31
 D-42279 Wuppertal
info@becker-international.com



SERVICE
www.becker-international.com
 Sales and service network