

Betriebsanleitung
 Operating Instructions
 Instructions de service
 Istruzioni d'uso
 Handleiding
 Instrucciones para el manejo
 Manual de instruções
 Naudojimosi instrukcija
 Kasutusjuhend
 Lietošanas instrukcija
 Driftsinstruks
 Driftsinstruktioner
 Käyttöohje
 Driftsvejledning
 Instrukcja obsługi

Kezelési útmutató
 Návod k obsluze
 Navodilo za uporabo
 Návod na obsluhu
 Upute za rad
 Manual de operatii
 Treoracha Oibriúcháin
 Οδηγίες χρήσης
 El Kitabi
 Инструкции за експлоатация
 Инструкция по эксплуатации
 取扱説明書
 사용설명서
 使用说明书

KVT 3.140

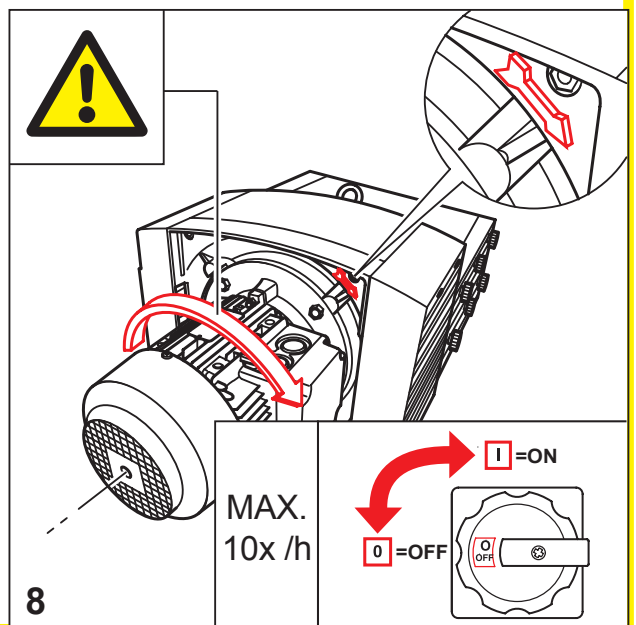
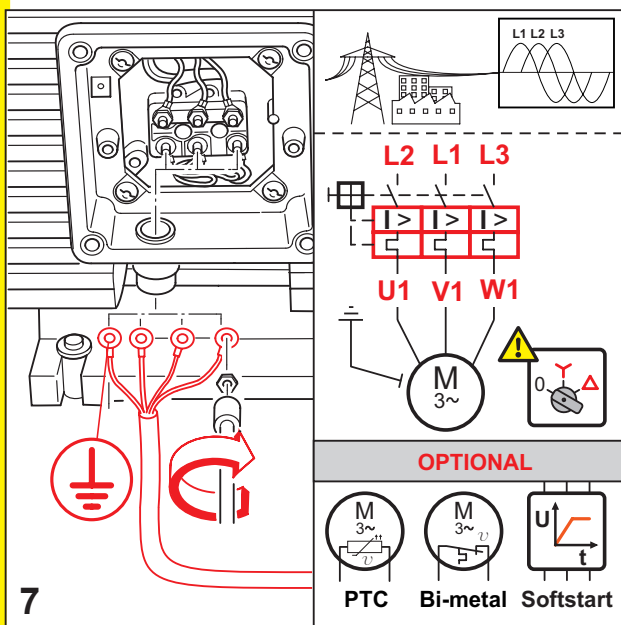
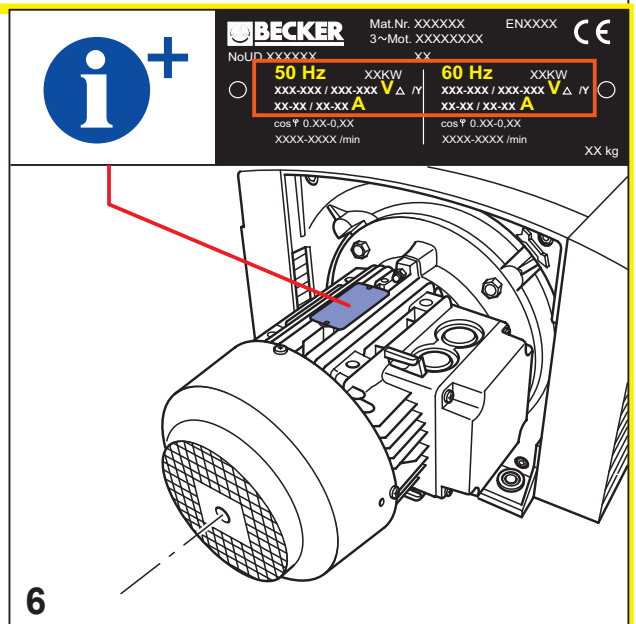
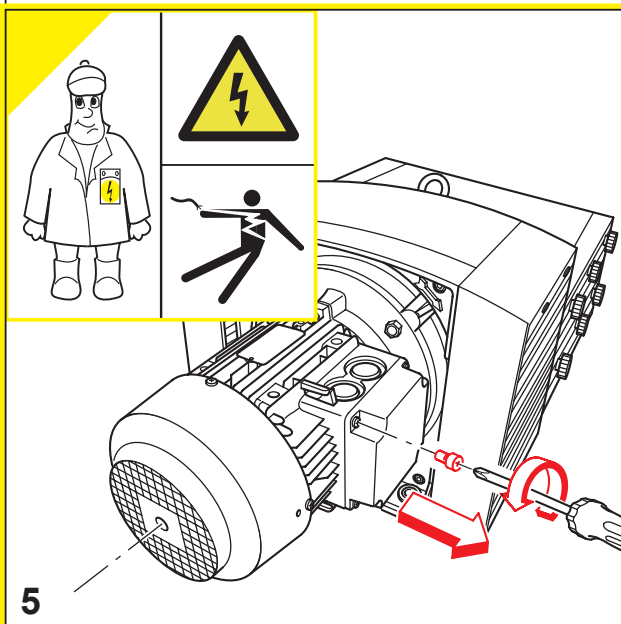
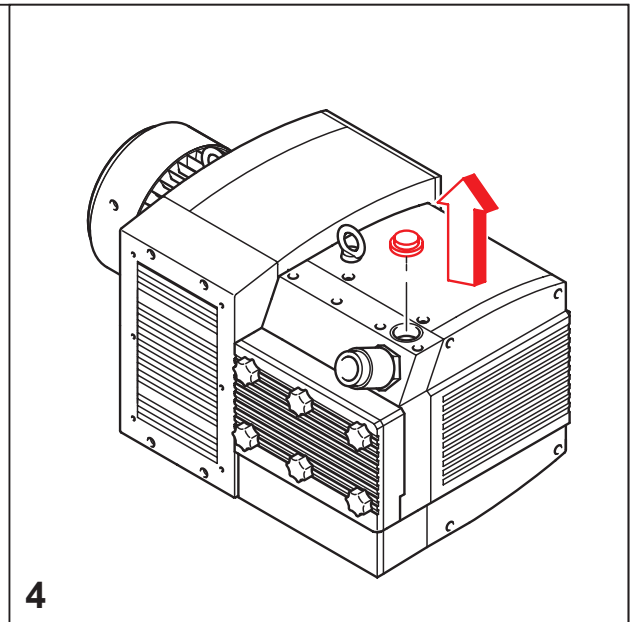
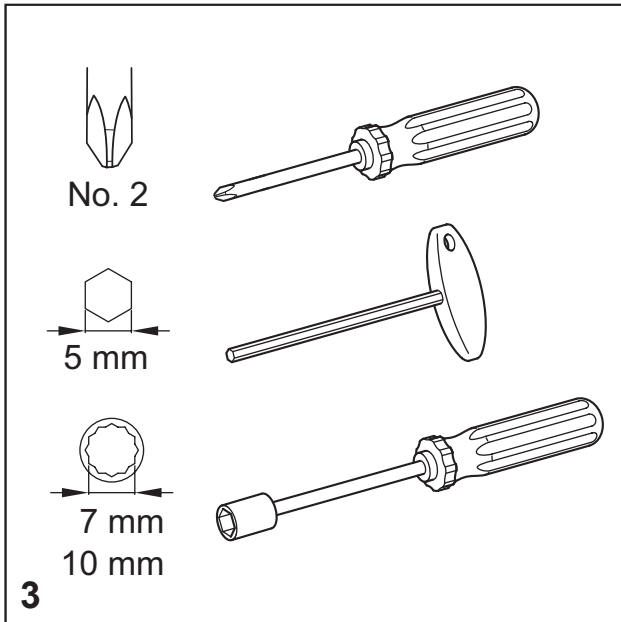
2006/42/EG

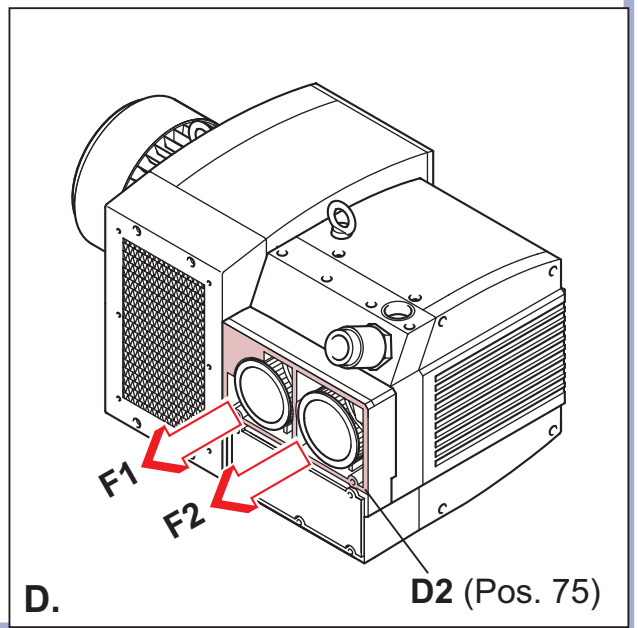
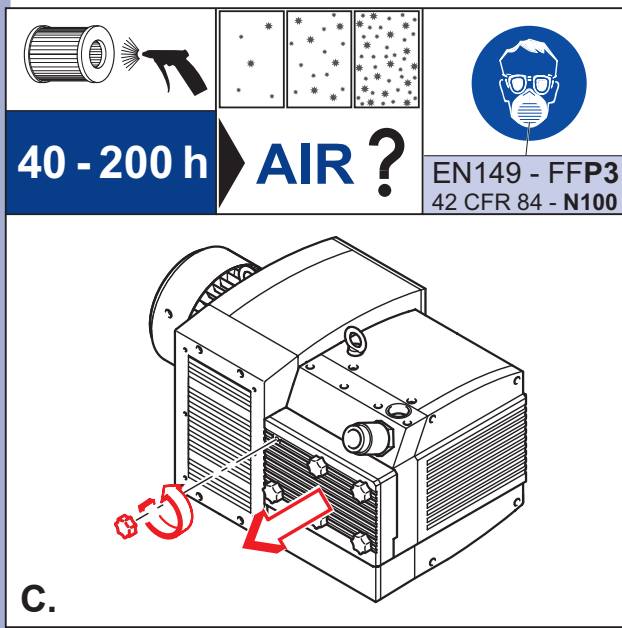
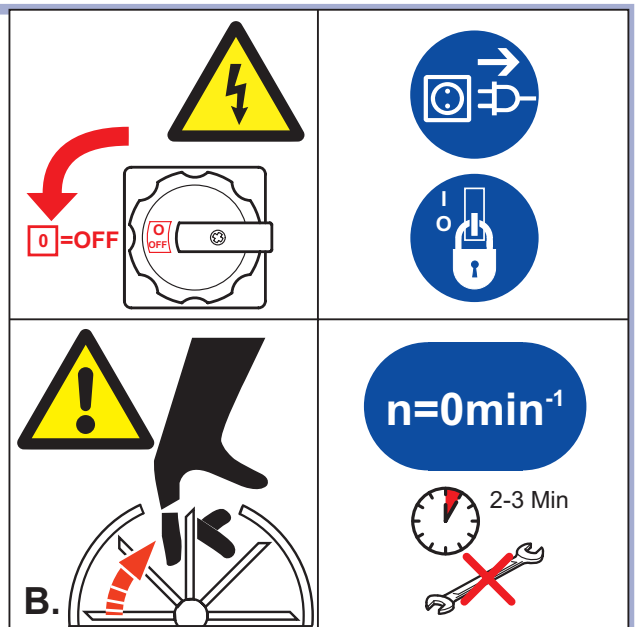
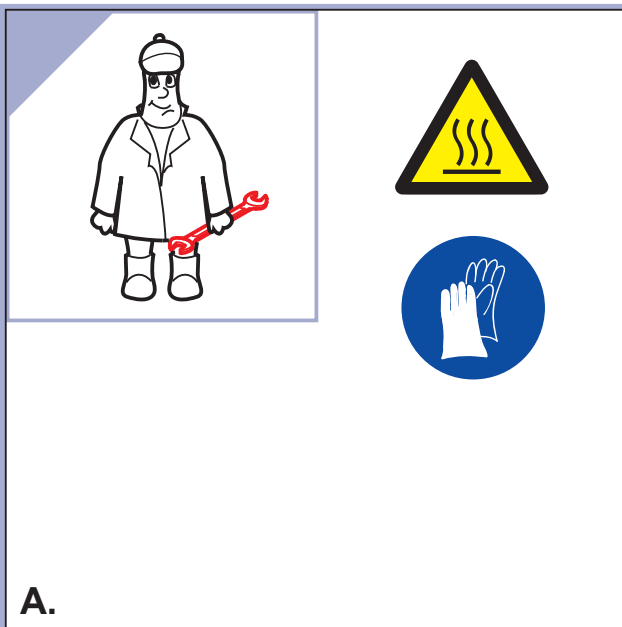
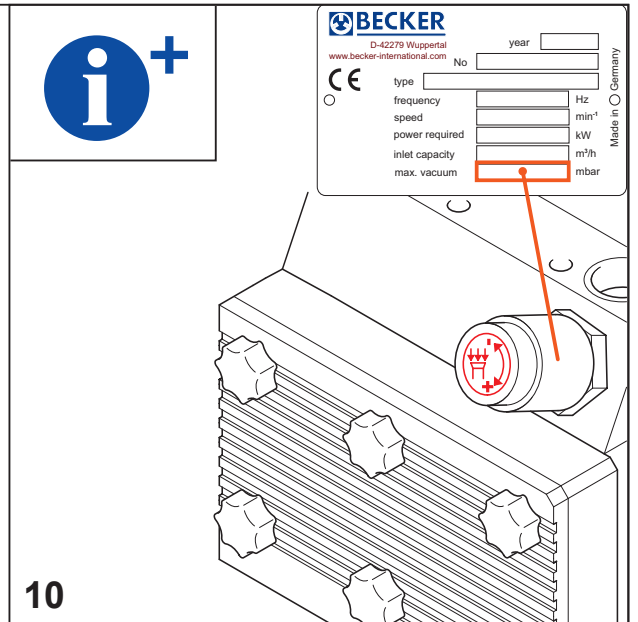
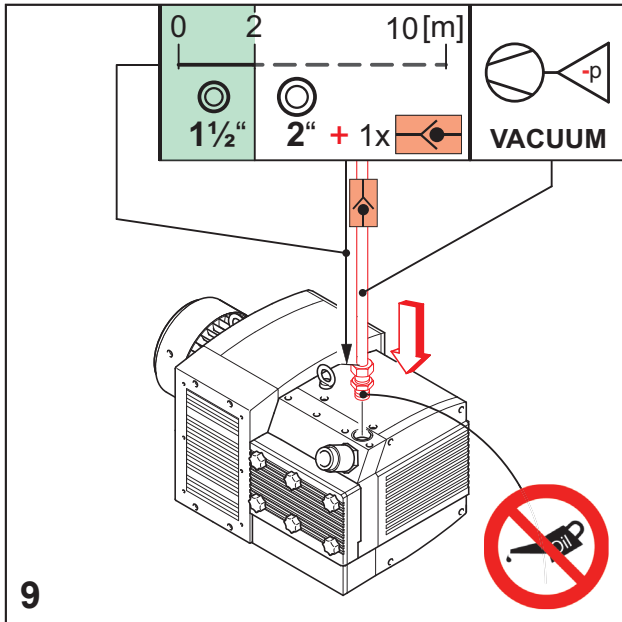


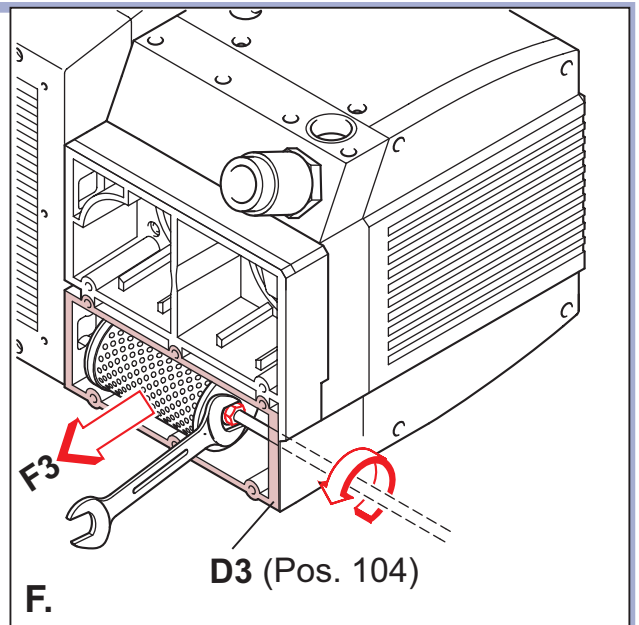
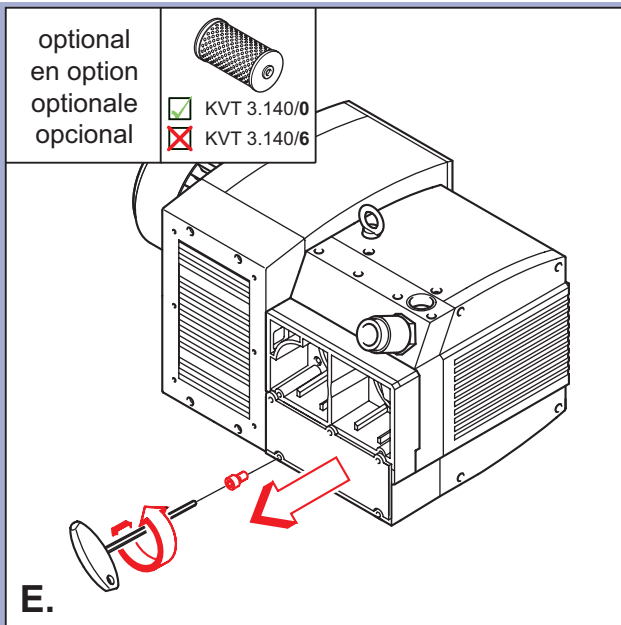
DIN EN ISO 9001
 001929 QM
 DIN EN ISO 14001:2015

					MAX. VACUUM	mbar
					DIN EN ISO 3744	$L_{pA} = 76 \text{ dB(A)} - 50\text{Hz}$ $L_{pA} = 79 \text{ dB(A)} - 60\text{Hz}$ $K_{pA} = 3 \text{ dB(A)}$

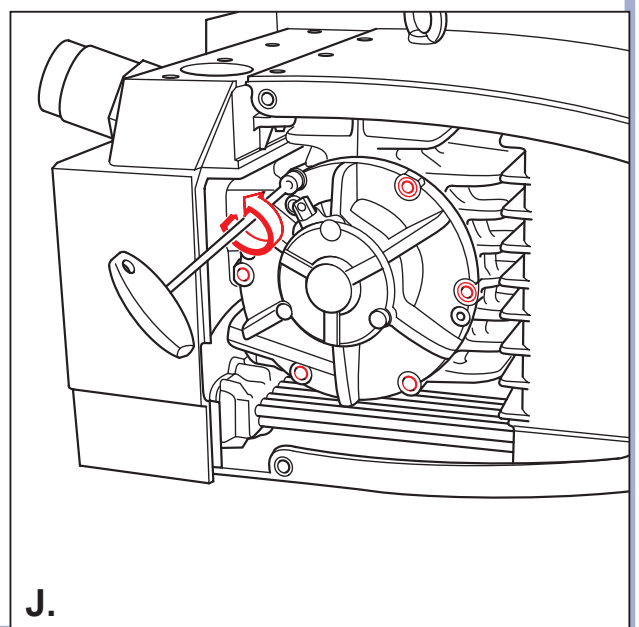
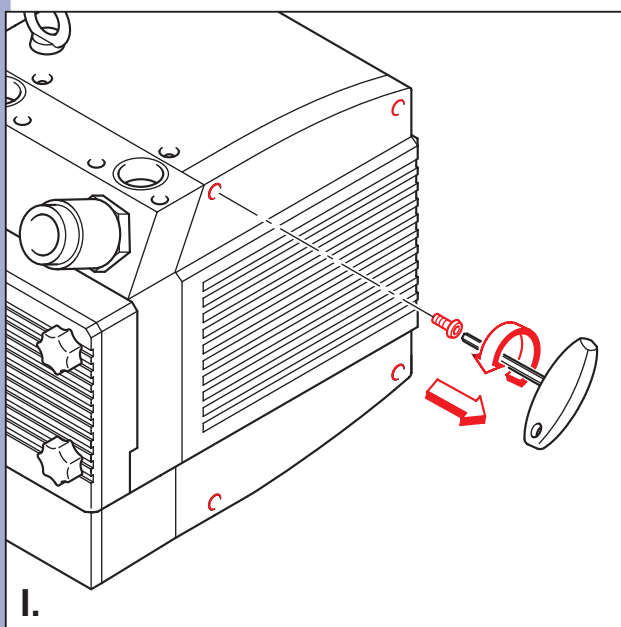
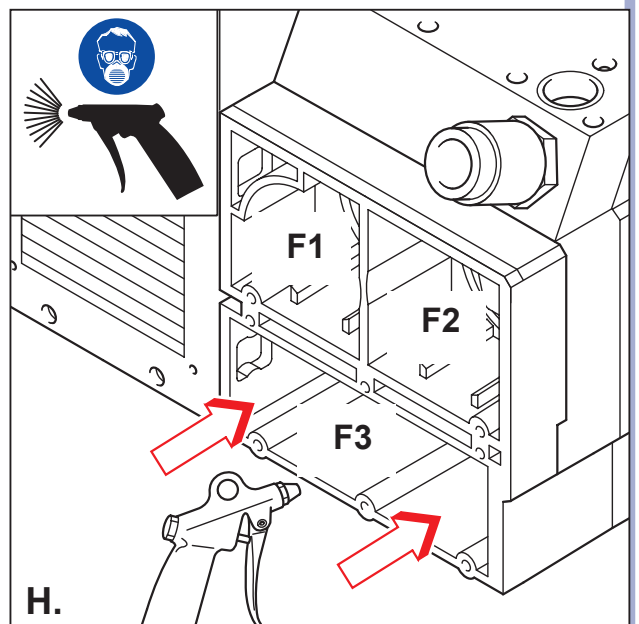
				A > 100mm A > 4"			
				111 kg 245 lbs	> 5°C/41°F < 45°C/113°F	max. 90%	max. 800m
1				2			

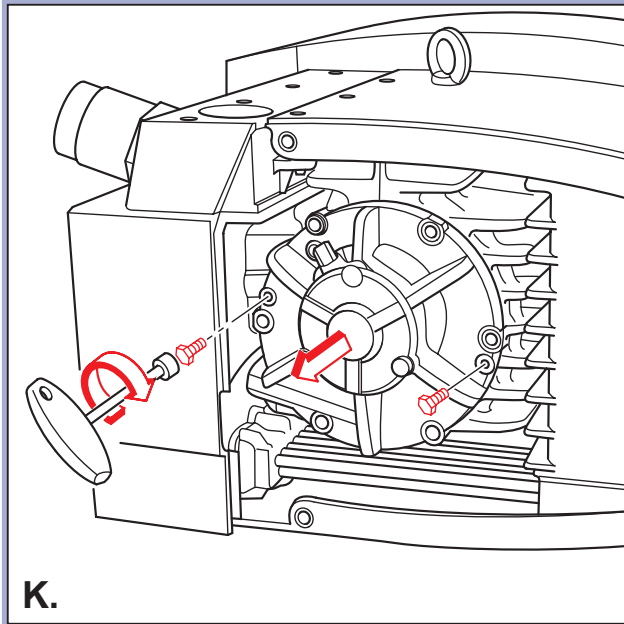






F1 = F2 (standard)	F2* (polyester) KVT 3.140/6	F3 (standard)
No.: 909507	No.: 909587	No.: 909514
	Satz / Kit Pos.: 17, 20, 24, 62, 75, 76, 85, 86, 104, 122, 125, 126, 146	
	No.: 549000 21300	





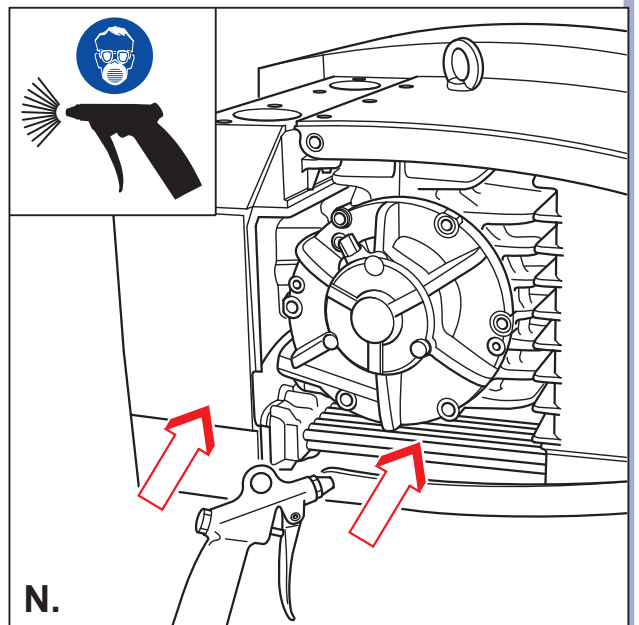
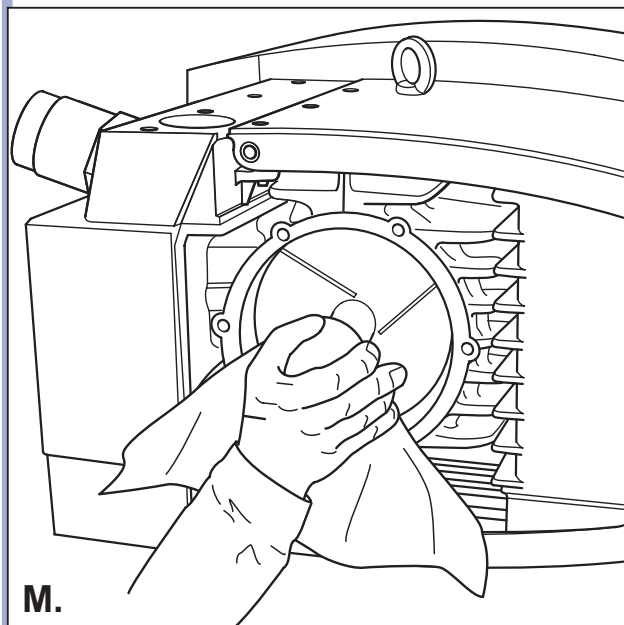
3000 h

$A_{MAX} = 48mm$
 $A_{MIN} = 31mm$

$A_{spray} < 31mm$

KVT 3.140 (standard) → No. 90133400004 (SET)
KVT 3.140/6 → No. 90138100004 (SET)

L.



No. 74330500000

2000 h

1. = ON

2. Special grease

15x (≈7g)



15x

O.

5

A	8x	11Nm
B	4x	3Nm
C	4x	3Nm

P.

<p>www.becker-international.com</p>	 <p>Gebr. Becker GmbH Hölker Feld 29-31 D-42279 Wuppertal info@becker-international.com</p> <hr/>  <p>SERVICE www.becker-international.com Sales and service network</p>
---	---