

Betriebsanleitung  
 Operating Instructions  
 Instructions de service  
 Istruzioni d'uso  
 Handleiding  
 Instrucciones para el manejo  
 Manual de instruções  
 Naudojimosi instrukcija  
 Kasutusjuhend  
 Lietošanas instrukcija  
 Driftsinstruks  
 Driftsinstruktioner  
 Käyttöohje  
 Driftsvejledning  
 Instrukcja obsługi

Kezelési útmutató  
 Návod k obsluze  
 Navodilo za uporabo  
 Návod na obsluhu  
 Upute za rad  
 Manual de operatii  
 Treoracha Oibriúcháin  
 Οδηγίες χρήσης  
 El Kitabi  
 Инструкции за експлоатация  
 Инструкция по эксплуатации  
 取扱説明書  
 사용설명서  
 使用说明书

**KVT 3.80**

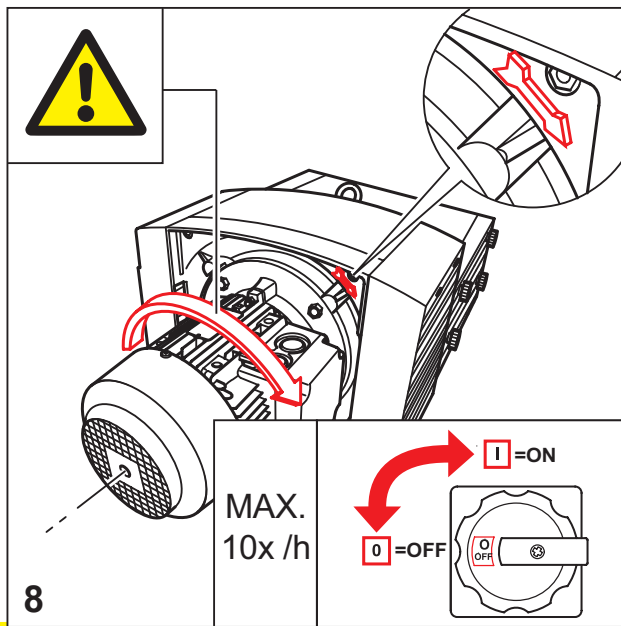
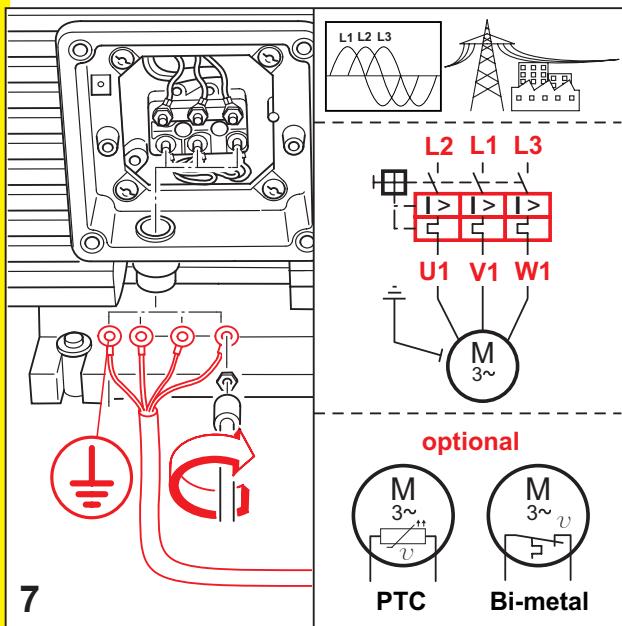
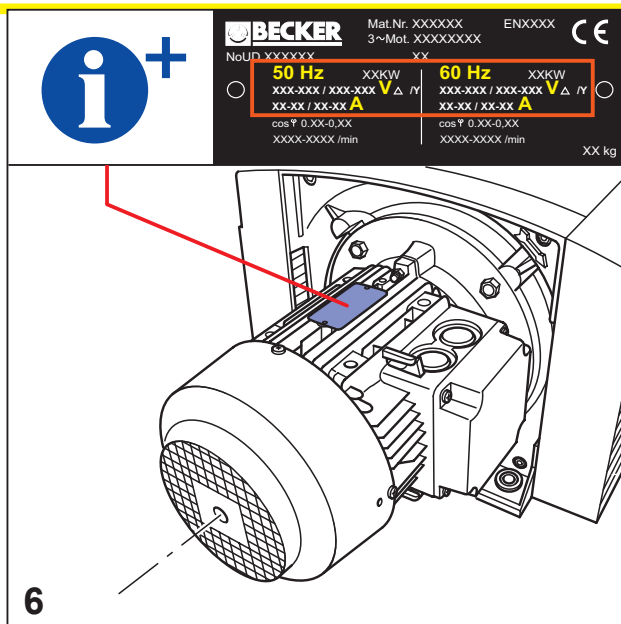
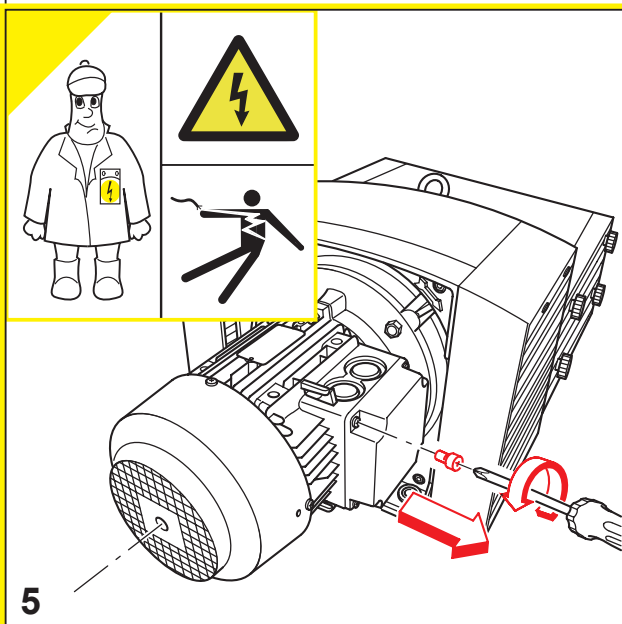
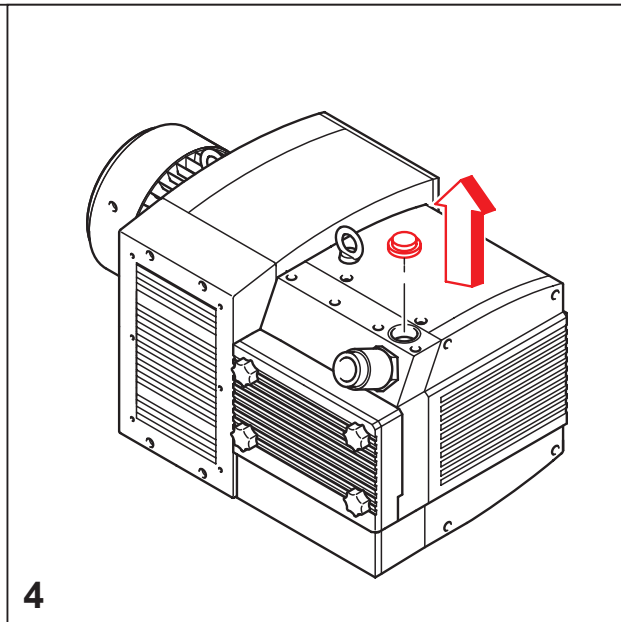
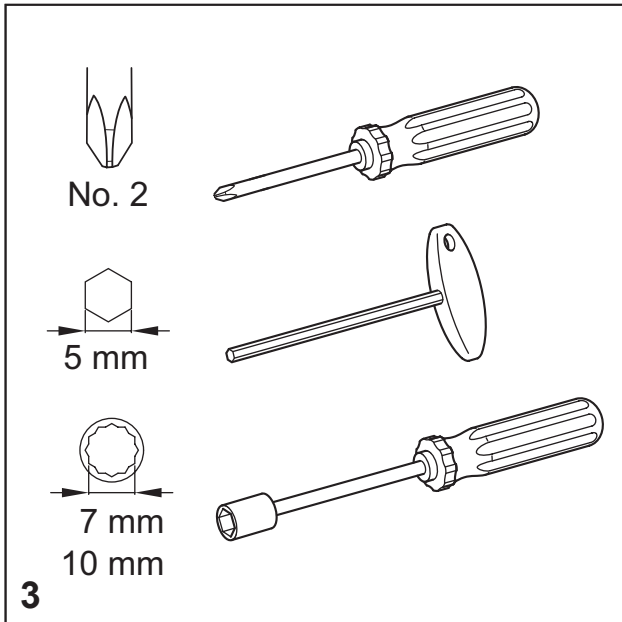
2006/42/EG



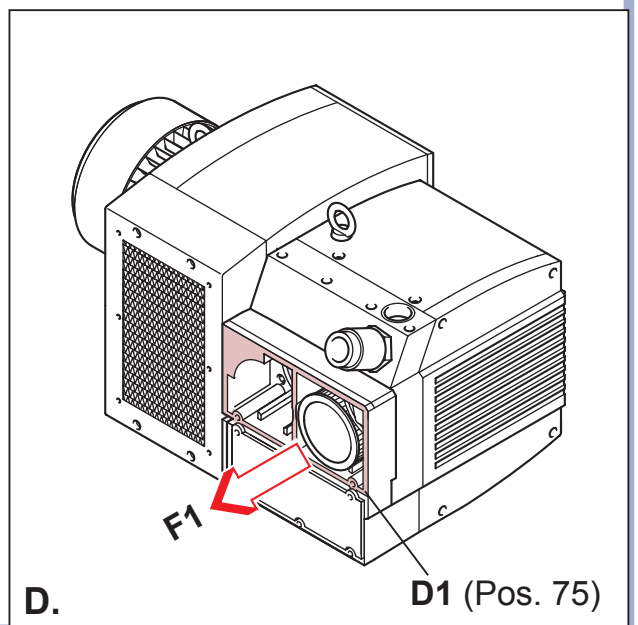
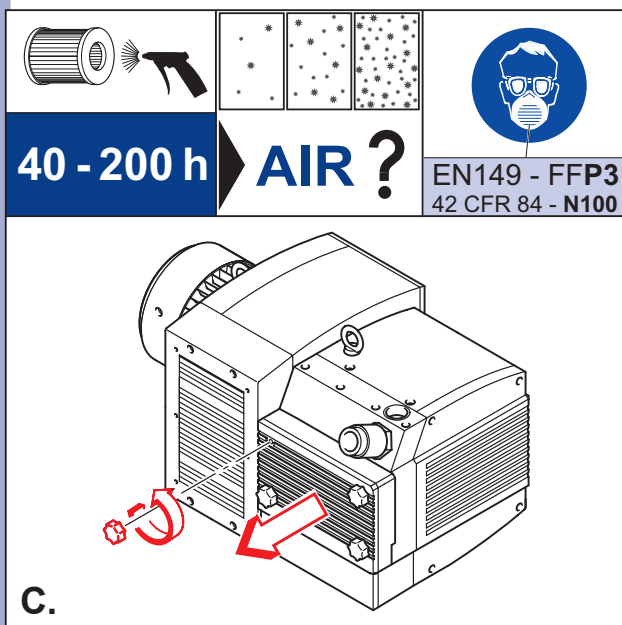
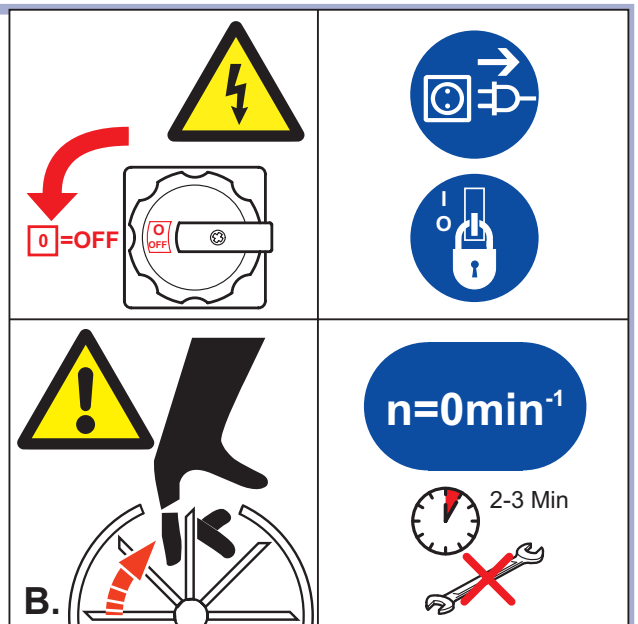
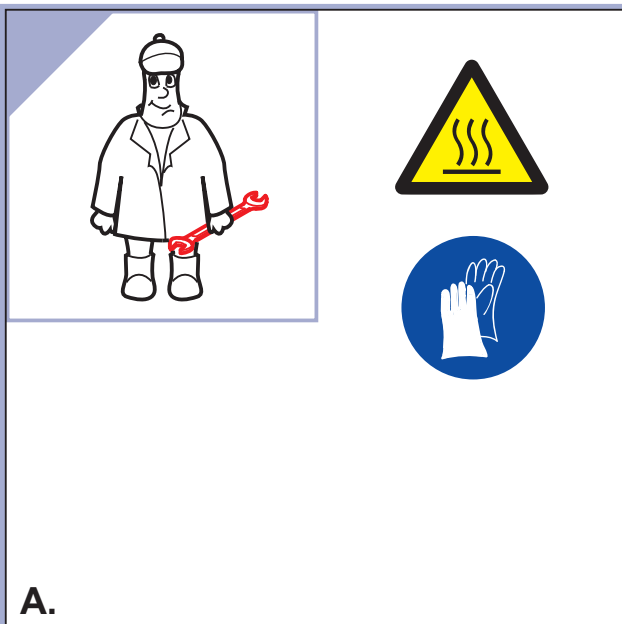
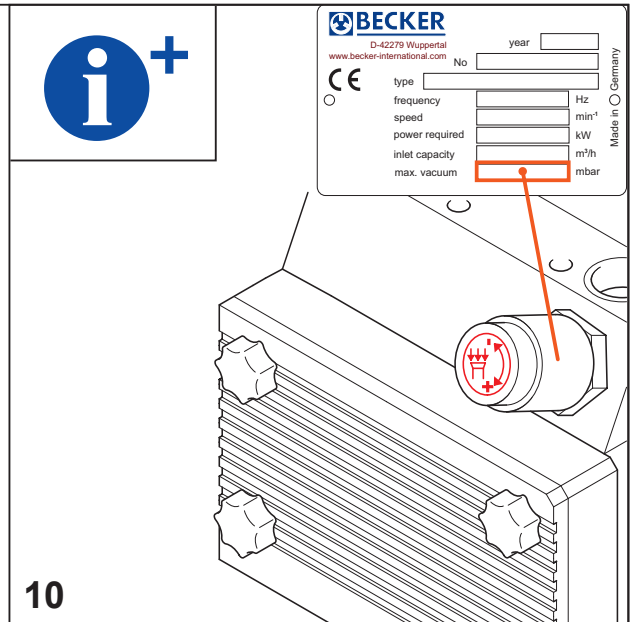
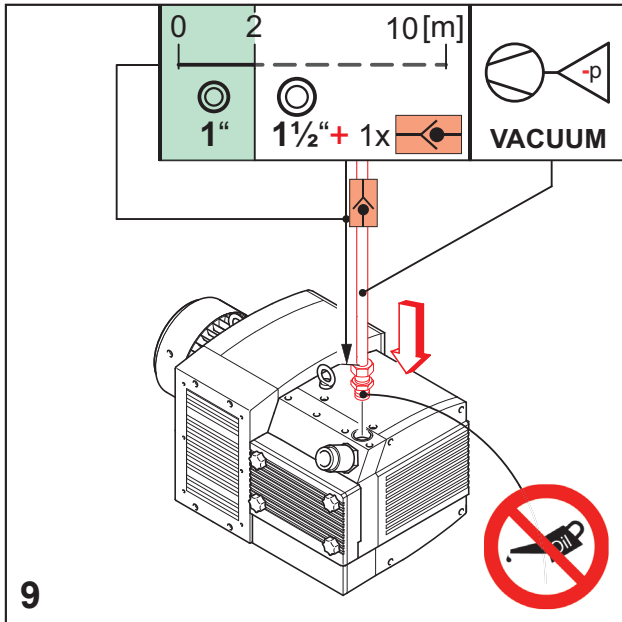
DIN EN ISO 9001  
 001929 QM  
 DIN EN ISO 14001:2015

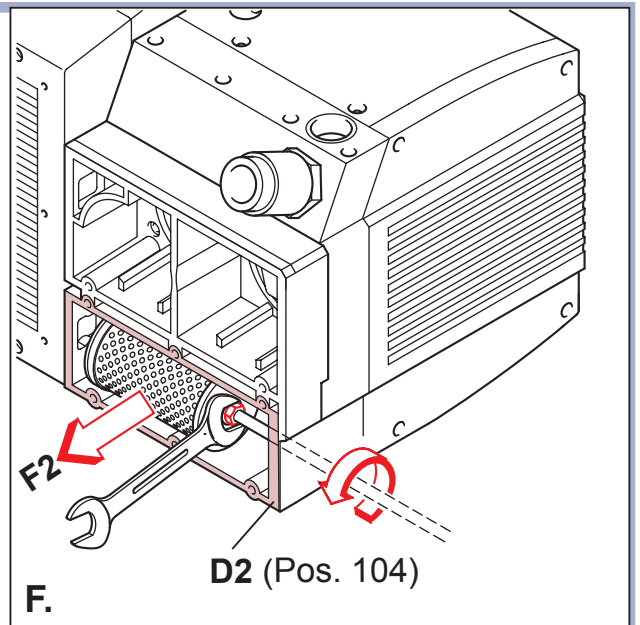
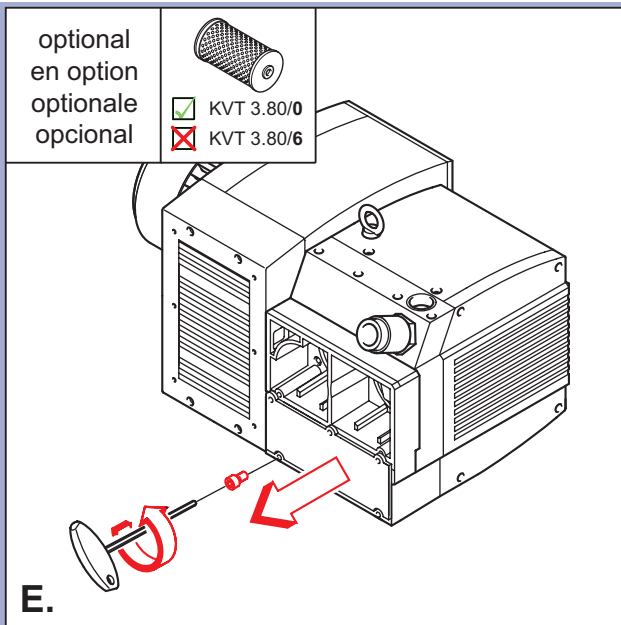
				<p> <math>L_{pA} = 72 \text{ dB(A)} - 50\text{Hz}</math>  <math>L_{pA} = 75 \text{ dB(A)} - 60\text{Hz}</math>  <math>K_{pA} = 3 \text{ dB(A)}</math> </p>		

			<p>69 kg 152 lbs</p>	<p>A &gt; 100mm A &gt; 4"</p>	<p>&gt; 5°C/41°F &lt; 45°C/113°F</p>	<p>max. 90%</p>	<p>max. 800m</p>
<p>1</p>				<p>2</p>			

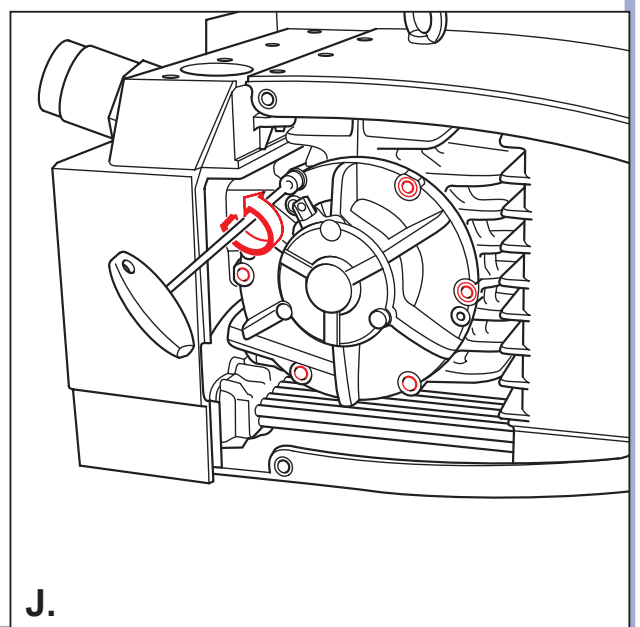
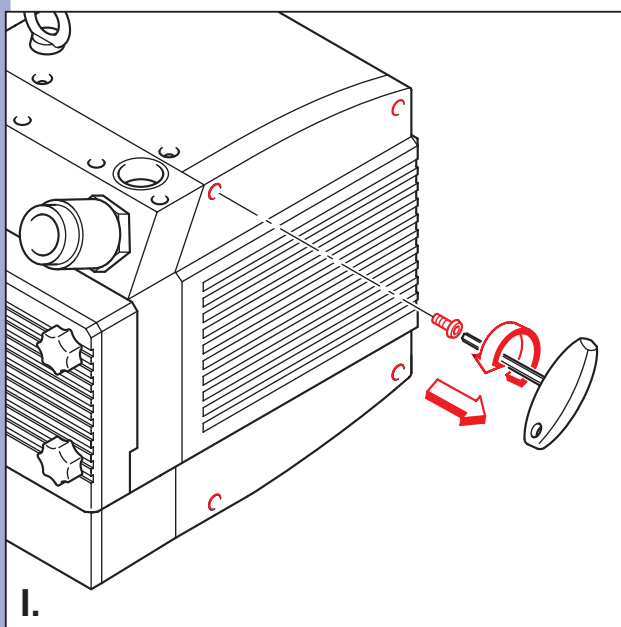
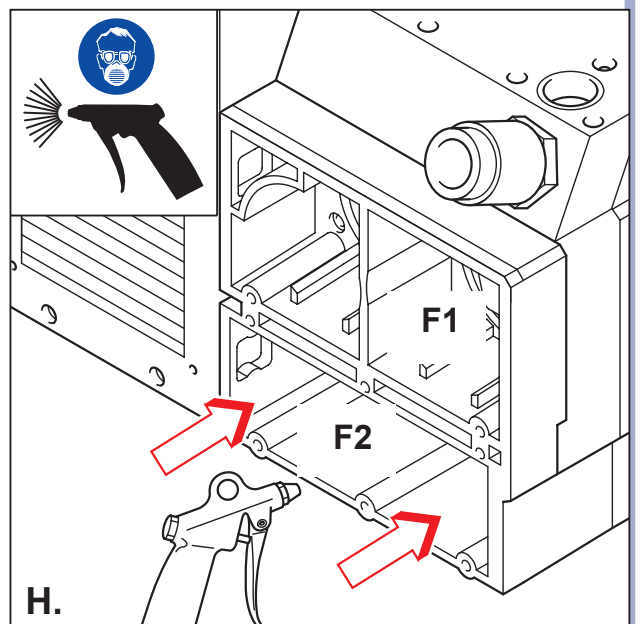


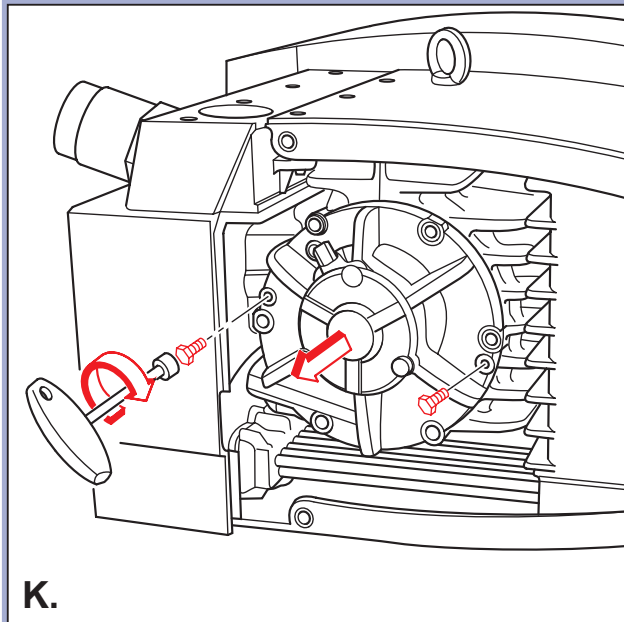
<b>BECKER</b>		Mat.Nr. XXXXXX	ENXXXX	CE
NoUm XXXXXXX		3~Mot. XXXXXXXX		
○	<b>50 Hz</b>	XXKW	<b>60 Hz</b>	XXKW
	XXX-XXX / XXX-XXX V Δ / Y	XXX-XXX / XXX-XXX V Δ / Y		
	XX-XX / XX-XX A	XX-XX / XX-XX A		
	cos φ 0.88-0.88	cos φ 0.88-0.88		
	XXXX-XXXX /min	XXXX-XXXX /min		XX kg






		<input checked="" type="checkbox"/>
<b>F1</b> (standard)	<b>F1*</b> (polyester) KVT 3.80/6	<b>F2</b> (standard)
No.: 909507	No.: 909587	No.: 909510
	<b>Satz / Kit</b> Pos.: 20, 24, 62, 75, 76, 85, <b>104, 125, 126, 127, 146, 288</b> No.: 549000 21100	

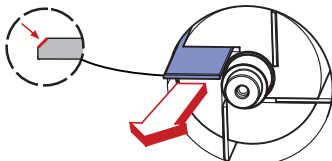


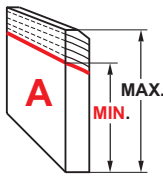


K.





**3000 h**





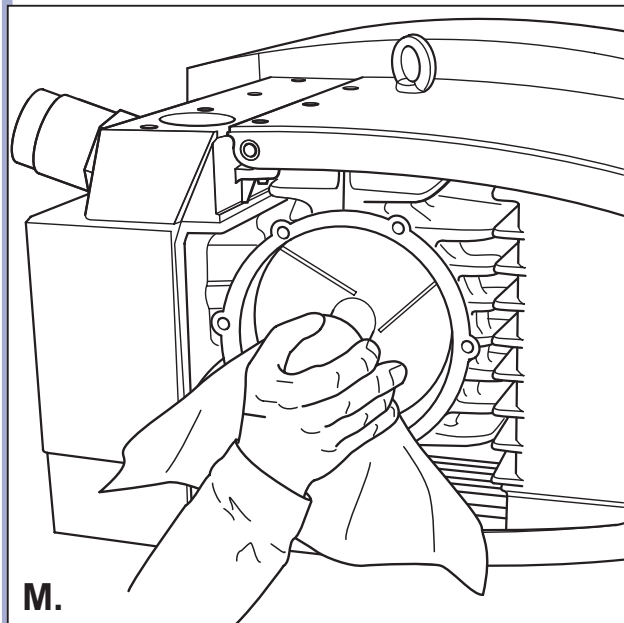
$A_{MAX} = 39mm$   
 $A_{MIN} = 26mm$

$A_{TIP} < 26mm$  




KVT 3.80 (standard) → No. 90133000004 (SET)  
KVT 3.80/6 → No. 90137900004 (SET)

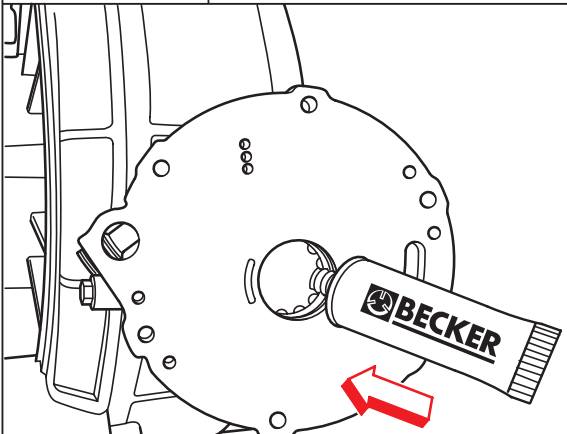
L.



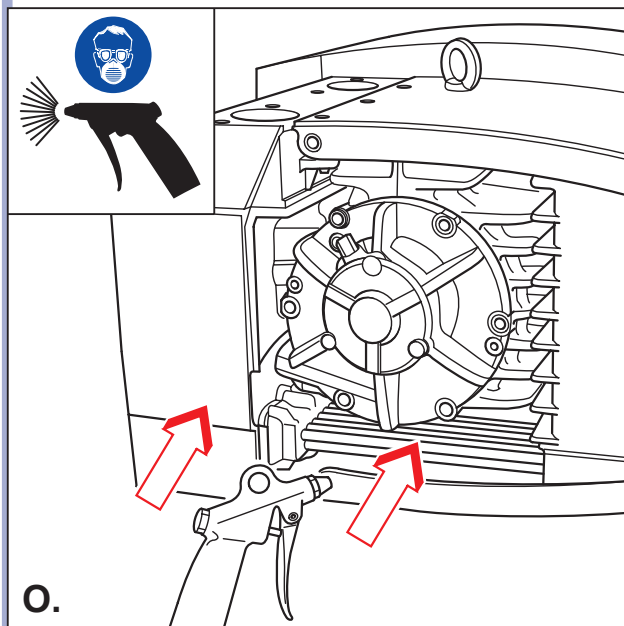
M.




Special grease  
No.96000002300










N.

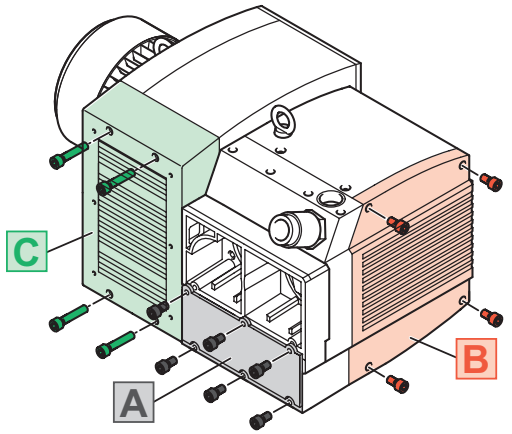


O.






A	6x 	 11Nm
B	4x 	 3Nm
C	4x 	 3Nm



P.

 <p><a href="http://www.becker-international.com">www.becker-international.com</a></p>	 <p>Gebr. Becker GmbH  Hölker Feld 29-31  D-42279 Wuppertal  <a href="mailto:info@becker-international.com">info@becker-international.com</a></p> <hr/>  <p><b>SERVICE</b>  <a href="http://www.becker-international.com">www.becker-international.com</a>  Sales and service network</p>
---	---