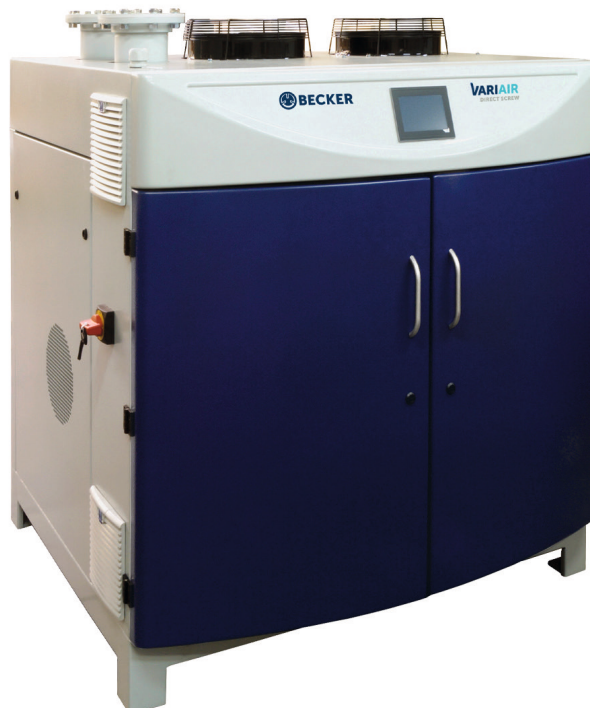


ERSATZTEILLISTE • SPARE PARTS LIST • LISTE DE PIÈCES DE RECHANGE  
LISTINO PEZZI DI RICAMBIO • LISTA DE PIEZAS DE RECAMBIO

# VADS 1500+

SCHRAUBEN-VAKUUMPUMPEN/VERDICHTER • SCREW VACUUM PUMPS/COMPRESSORS • POMPES À VIDE/COMPRESSEURS À VIS • POMPE PER VUOTO/COMPRESSORI A VITE • BOMBAS DE VACÍO/COMPRESORES DE TORNILLO

**MAKE IT BECKER.**

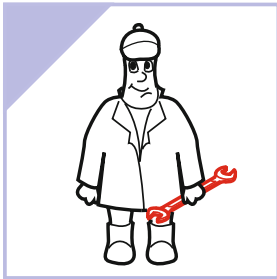


**VARIAIR**  
DIRECT SCREW

 **BECKER**

**INDEX/INDICE**

INDEX



**BECKER**  
 D-42279 Wuppertal  
 www.becker-international.com

year **XXXX**

No. **A XXXX**

CE type **XX**

frequency **XXXX** /z

speed **XXXX** min<sup>-1</sup>

power required **XXXX** kW

inlet capacity **XXXX** m<sup>3</sup>/h

pressure + **XXXX** mbar

vacuum - **XXXX** mbar

Made in Germany

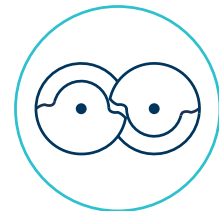
**INDEX**



**WWW.BECKER-INTERNATIONAL-SHOP.COM**



**wichtige Komponenten - Serviceteile**  
**important components - Service Parts**  
**composants importants - Pièces de service**  
**importanti componenti - Parti di servizio**  
**componentes importantes - Partes de servicio**



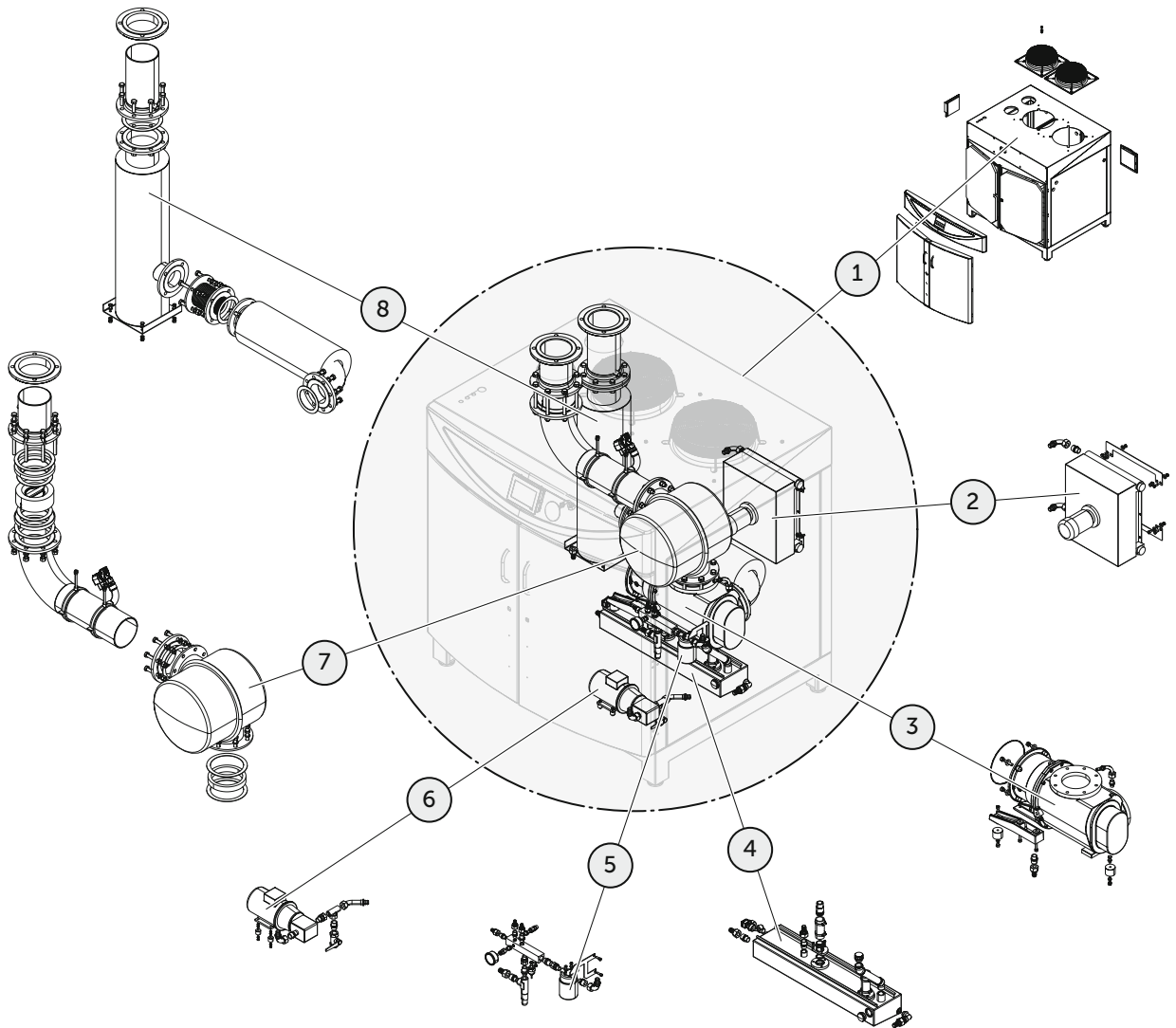
| INDEX | Pos. | Ident No.    | Description                                   | Quantity |
|-------|------|--------------|---|----------|
|       |      | 960012 00001 | BECKER LUBE G70 (SYNTHETIC OIL) <sup>1)</sup> | 5 l      |
|       |      | 960012 02000 |   | 20 l     |
|       | 507  | 765302 05000 | OIL FILTER CARTRIDGE                          | 1        |
|       | 707  | 709580 00000 | FILTER INSERT                                 | 1        |

<sup>1)</sup> FILLING CAPACITY VADS 1500+ = 18.00 L (MAX.)

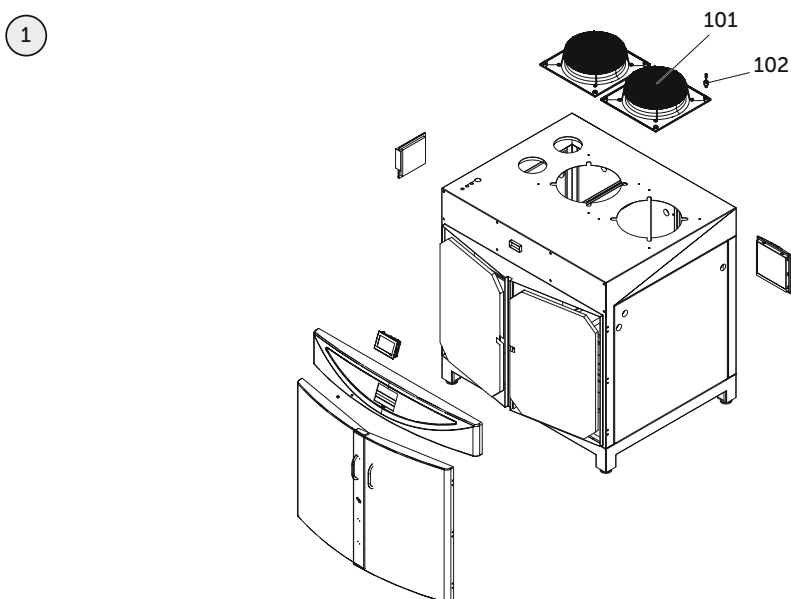
INDEX

**VADS 1500+**

Übersicht / Overview / Vue d'ensemble / Panoramica / Resumen



Schallhaube / Sound cover / Capot sonore / Cofano sonoro / Caja de resonancia

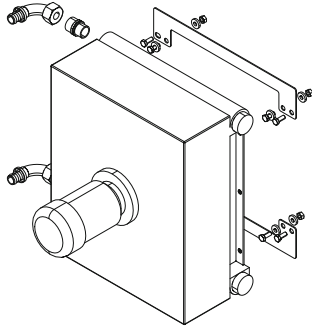


INDEX

**VADS 1500+**

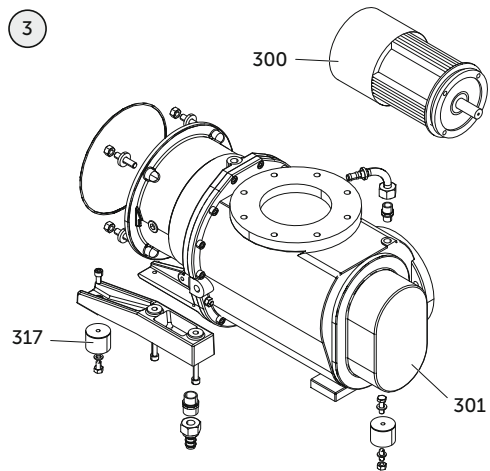
Kühler / Cooler / Refroidisseur / Raffreddatore / Enfriador

2



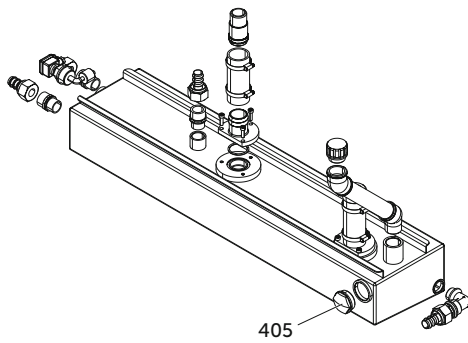
Verdichter / Compressor / Compresseur / Compresore / Compresor

3



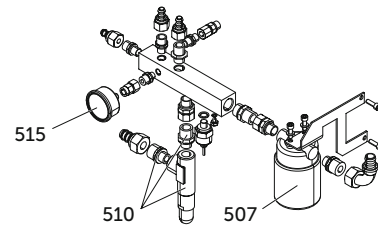
Öbehälter / Oil tank / Réservoir d'huile / Serbatoio dell'olio / Depósito de aceite

4



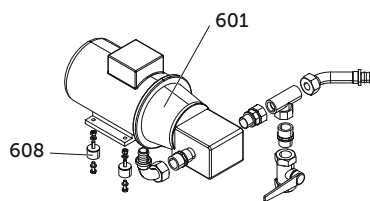
Överteiler / Oil distributor / Distributeur d'huile / Distributore di olio / Distribuidor de aceite

5



Ölpumpe / Oil pump / Pompe à huile / Pompa dell'olio / Bomba de aceite

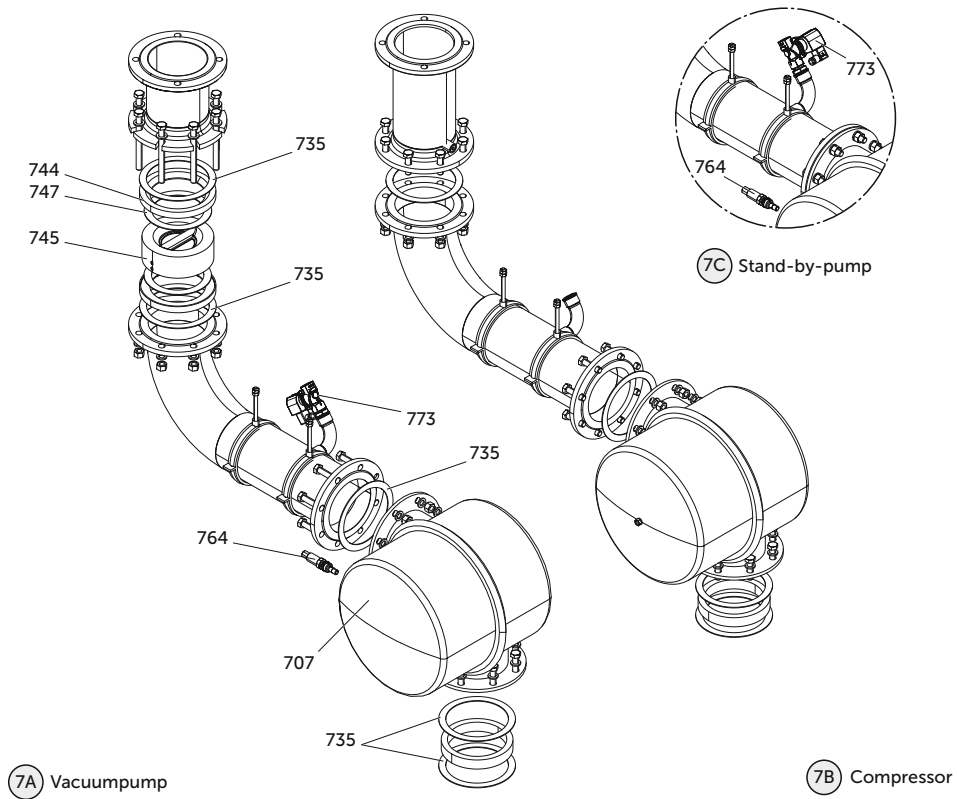
6



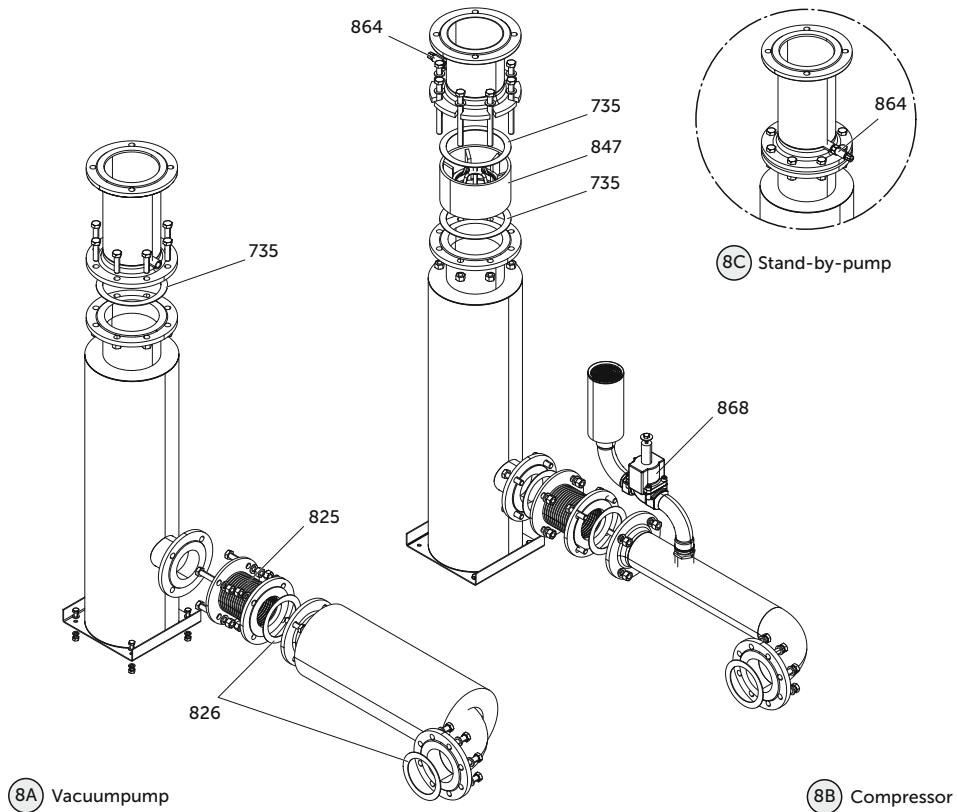
INDEX


**VADS 1500+**

Vakuum- oder Zuluftleitung / Vacuum or supply air line / Ligne de vide ou d'air d'alimentation / Linea del vuoto o dell'aria di alimentazione / Linea de vacío o de alimentación de aire



Druck- oder Abluftleitung / Pressure or exhaust air line / Ligne de pression ou d'évacuation d'air / Linea di pressione o d'aria di scarico / Línea de presión o de aire de escape



| INDEX | Pos.  | Bestell Nr.  | Beschreibung                          |  |
|-------|---|--------------|---------------------------------------|---|
|       | 101   | 002305 29100 | VENTILATOR                            |   |
|       | 102   | 013900 40100 | DISTANZBUCHSE                         |   |
|       | 300   | 443692 12311 | MOTOR                                 |   |
|       | 301   | 754400 31100 | SCHRAUBEN-VERDICHTER                  |   |
|       | 317   | 741312 00000 | GUMMIPUFFER                           |   |
|       | 405   | 907308 00000 | ÖLSCHAUGLAS                           |   |
|       | 507   | 909700 31100 | ÖLFILTERPATRONE                       |   |
|       | 510   | 537505 31100 | VENTIL, KOMPLETT                      |   |
|       | 515   | 737417 00000 | MANOMETER                             |   |
|       | 601   | 923401 31100 | ÖLPUMPE                               |   |
|       | 608   | 741333 00000 | GUMMIPUFFER                           |   |
|       | 707   | 709580 00000 | FILTEREINSATZ                         |   |
|       | 735   | 948082 00000 | DICHTRING                             |   |
|       | 744   | 011407 31100 | DISTANZRING                           |   |
|       | 745   | 737500 99640 | RÜCKSCHLAGKLAPPE                      |   |
|       | 747   | 948081 00000 | DICHTRING                             |   |
|       | 764   | 769302 42090 | MESSUMFORMER 0-1 BAR                  |   |
|       | 773   | 767401 00210 | MAGNETVENTIL                          |   |
|       | 825   | 763906 00000 | KOMPENSATOR                           |   |
|       | 826   | 948080 00000 | DICHTRING                             |   |
|       | 847   | 737502 31100 | RÜCKSCHLAGVENTIL                      |   |
|       | 864   | 769302 42100 | DRUCKSENSOR                           |   |
|       | 868   | 767403 10010 | MAGNETVENTIL                          |   |
|       |  | 960012 00001 | ÖLGEBINDE 5 LITER (BECKER LUBE G 70)  |   |
|       |   | 960012 02000 | ÖLGEBINDE 20 LITER (BECKER LUBE G 70) |   |

| INDEX | 02000   | Ident No.    | Description                             |  |
|-------|---|--------------|---|---|
|       | 101   | 002305 29100 | FAN                                     |   |
|       | 102   | 013900 40100 | SPACER SLEEVE                           |   |
|       | 300   | 443692 12311 | MOTOR                                   |   |
|       | 301   | 754400 31100 | COMPRESSOR                              |   |
|       | 317   | 741312 00000 | BUMPER                                  |   |
|       | 405   | 907308 00000 | OIL SIGHT GLASS                         |   |
|       | 507   | 909700 31100 | OIL FILTER CARTRIDGE                    |   |
|       | 510   | 537505 31100 | VALVE, COMPLETE                         |   |
|       | 515   | 737417 00000 | MANOMETER                               |   |
|       | 601   | 923401 31100 | OIL PUMP                                |   |
|       | 608   | 741333 00000 | BUMPER                                  |   |
|       | 707   | 709580 00000 | FILTER INSERT                           |   |
|       | 735   | 948082 00000 | SEALING RING                            |   |
|       | 744   | 011407 31100 | SPACER                                  |   |
|       | 745   | 737500 99640 | NON RETURN FLAP                         |   |
|       | 747   | 948081 00000 | SEALING RING                            |   |
|       | 764   | 769302 42090 | MEASUREMENT CONVERTER 0-1 BAR           |   |
|       | 773   | 767401 00210 | MAGNETIC VALVE                          |   |
|       | 825   | 763906 00000 | COMPENSATOR                             |   |
|       | 826   | 948080 00000 | SEALING RING                            |   |
|       | 847   | 737502 31100 | NON RETURN VALVE                        |   |
|       | 864   | 769302 42100 | PRESSURE SENSOR                         |   |
|       | 868   | 767403 10010 | MAGNETIC VALVE                          |   |
|       |  | 960012 00001 | OIL CANISTER 5 LITRE (BECKER LUBE G 70) |   |
|       |   | 960012 02000 | OIL CANISTER 2 LITRE (BECKER LUBE G 70) |   |

| INDEX | Pos.  | No. d'identification | Designation                                   |
|-------|---|----------------------|---|
|       | 101   | 002305 29100         | VENTILATEUR                                   |
|       | 102   | 013900 40100         | DOUILLE D'ÉCARTEMENT                          |
|       | 300   | 443692 12311         | MOTEUR  |
|       | 301   | 754400 31100         | COMPRESSEUR                                   |
|       | 317   | 741312 00000         | AMORTISSEUR CAOUTCHOUC                        |
|       | 405   | 907308 00000         | JAUGE D'HUILE                                 |
|       | 507   | 909700 31100         | FILTRE À HUILE                                |
|       | 510   | 537505 31100         | SOUPAPE, COMPLET                              |
|       | 515   | 737417 00000         | MANOMETRE                                     |
|       | 601   | 923401 31100         | POMPE À HUILE                                 |
|       | 608   | 741333 00000         | AMORTISSEUR CAOUTCHOUC                        |
|       | 707   | 709580 00000         | FILTRE DE RECHANGE                            |
|       | 735   | 948082 00000         | ANNEAU DE JOINT                               |
|       | 744   | 011407 31100         | ENTRETOISE                                    |
|       | 745   | 737500 99640         | CLAPET DE RETENUE                             |
|       | 747   | 948081 00000         | ANNEAU DE JOINT                               |
|       | 764   | 769302 42090         | CONVERTISSEUR DE MESURE 0-1 BAR               |
|       | 773   | 767401 00210         | SOUPAPE MAGNÉTIQUE                            |
|       | 825   | 763906 00000         | COMPENSATEUR                                  |
|       | 826   | 948080 00000         | ANNEAU DE JOINT                               |
|       | 847   | 737502 31100         | SOUPAPE DE RETENUE                            |
|       | 864   | 769302 42100         | CAPTEUR DE PRESSION                           |
|       | 868   | 767403 10010         | SOUPAPE MAGNÉTIQUE                            |
|       |  | 960012 00001         | CONTENEUR D'HUILE 5 LITRE (BECKER LUBE G 70)  |
|       |   | 960012 02000         | CONTENEUR D'HUILE 20 LITRE (BECKER LUBE G 70) |

| INDEX | Pos.  | No. identificazione | Designazione                                      |
|-------|---|---------------------|---|
|       | 101   | 002305 29100        | VENTILATORE                                       |
|       | 102   | 013900 40100        | ANELLO DISTANZIATORE                              |
|       | 300   | 443692 12311        | MOTORE  |
|       | 301   | 754400 31100        | COMPRESSORE                                       |
|       | 317   | 741312 00000        | PINGENTE DI GOMMA                                 |
|       | 405   | 907308 00000        | SPIA LIVELLO OLIO                                 |
|       | 507   | 909700 31100        | CARTUCCIA DEL FILTRO OLIO                         |
|       | 510   | 537505 31100        | VALVOLA, COMPLETO                                 |
|       | 515   | 737417 00000        | MANOMETRO   |
|       | 601   | 923401 31100        | POMPA OLIO  |
|       | 608   | 741333 00000        | PINGENTE DI GOMMA                                 |
|       | 707   | 709580 00000        | FILTRO DI RICAMBIO                                |
|       | 735   | 948082 00000        | ANELLO DI GUARNIZIONE                             |
|       | 744   | 011407 31100        | DISTANZIALE                                       |
|       | 745   | 737500 99640        | VALVOLA DI RITENUTA                               |
|       | 747   | 948081 00000        | ANELLO DI GUARNIZIONE                             |
|       | 764   | 769302 42090        | CONVERTITORE DI MISURA 0-1 BAR                    |
|       | 773   | 767401 00210        | VALVOLA MAGNETICO                                 |
|       | 825   | 763906 00000        | COMPENSATORE                                      |
|       | 826   | 948080 00000        | ANELLO DI GUARNIZIONE                             |
|       | 847   | 737502 31100        | VALVOLA DI RITENUTA                               |
|       | 864   | 769302 42100        | SENSORE DI PRESSIONE                              |
|       | 868   | 767403 10010        | VALVOLA MAGNETICO                                 |
|       |  | 960012 00001        | CONTENITORE DELL'OLIO 5 LITRO (BECKER LUBE G 70)  |
|       |   | 960012 02000        | CONTENITORE DELL'OLIO 20 LITRO (BECKER LUBE G 70) |

| INDEX | Pos.  | No. de pedido | Descripción                                      |  |
|-------|---|---------------|--|---|
|       | 101   | 002305 29100  | VENTILADOR                                       |   |
|       | 102   | 013900 40100  | CASQUILLO DISTANCIADOR                           |   |
|       | 300   | 443692 12311  | MOTOR  |   |
|       | 301   | 754400 31100  | COMPRESOR  |   |
|       | 317   | 741312 00000  | AMORTIGUADOR DE CAUCHO                           |   |
|       | 405   | 907308 00000  | CRISTAL MIRILLA DE ACEITE                        |   |
|       | 507   | 909700 31100  | FILTRO DE ACEITE                                 |   |
|       | 510   | 537505 31100  | VÁLVULA, COMPLETO                                |   |
|       | 515   | 737417 00000  | MANÓMETRO  |   |
|       | 601   | 923401 31100  | BOMBA DE ACEITE                                  |   |
|       | 608   | 741333 00000  | AMORTIGUADOR DE CAUCHO                           |   |
|       | 707   | 709580 00000  | CARTUCHO DE FILTRO                               |   |
|       | 735   | 948082 00000  | ANILLO JUNTA                                     |   |
|       | 744   | 011407 31100  | ARANDELA DISTANCIADORA                           |   |
|       | 745   | 737500 99640  | VÁLVULA DE RETENCIÓN                             |   |
|       | 747   | 948081 00000  | ANILLO JUNTA                                     |   |
|       | 764   | 769302 42090  | CONVERTIDOR DE MEDIDA 0-1 BAR                    |   |
|       | 773   | 767401 00210  | MAGNETIC VALVE                                   |   |
|       | 825   | 763906 00000  | COMPENSADOR                                      |   |
|       | 826   | 948080 00000  | ANILLO JUNTA                                     |   |
|       | 847   | 737502 31100  | VÁLVULA DE RETENCIÓN                             |   |
|       | 864   | 769302 42100  | SENSOR DE PRESIÓN                                |   |
|       | 868   | 767403 10010  | MAGNETIC VALVE                                   |   |
|       |  | 960012 00001  | CONTENEDOR DE ACEITE 5 LITRO (BECKER LUBE G 70)  |   |
|       |   | 960012 02000  | CONTENEDOR DE ACEITE 20 LITRO (BECKER LUBE G 70) |   |





**MAKE IT BECKER.**

28000031110 | 2021-10-12 | All rights reserved