

DATA SHEET

RBP 500/1000/2000

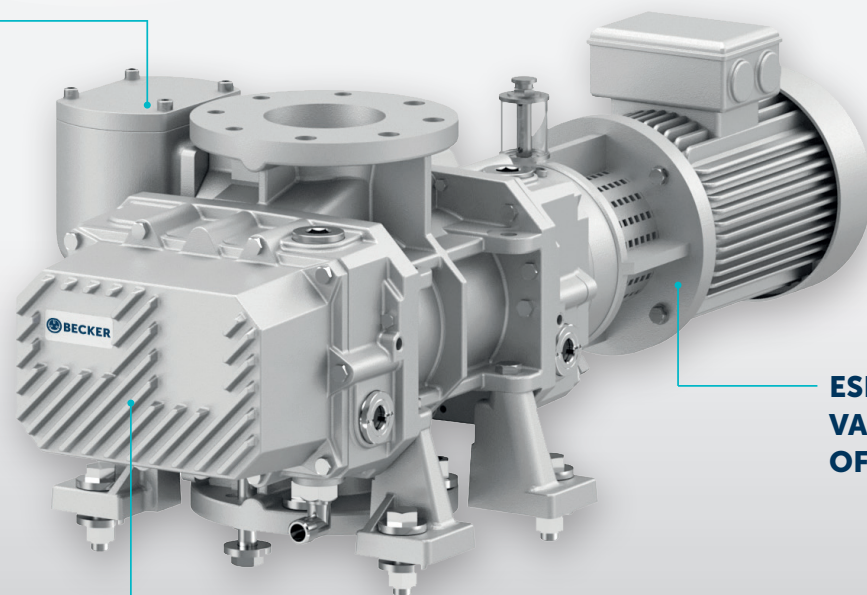
ROOTS BOOSTER VACUUM PUMPS

contactless and oil-free compressing
air-cooled

MAKE IT BECKER.

INTEGRATED BYPASS VALVE

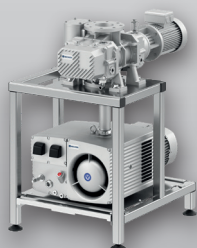
as a backup for
packaging processes
with quick cycling
times



**ESPECIALLY FOR THE
VACUUM PACKAGING
OF FOOD**

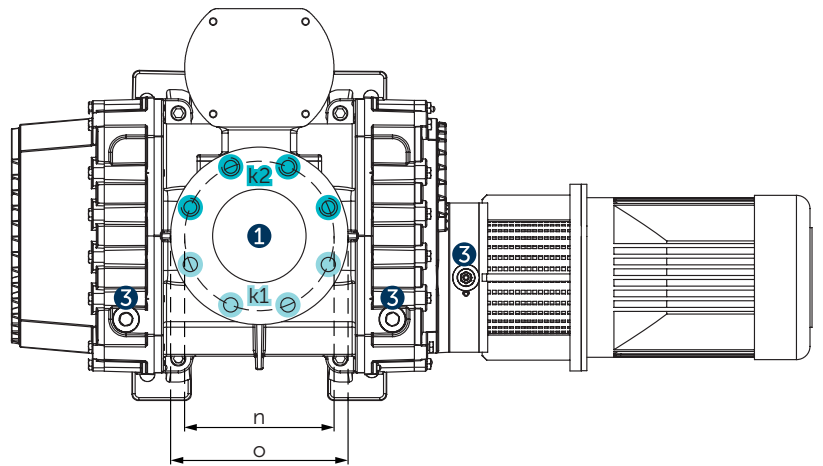
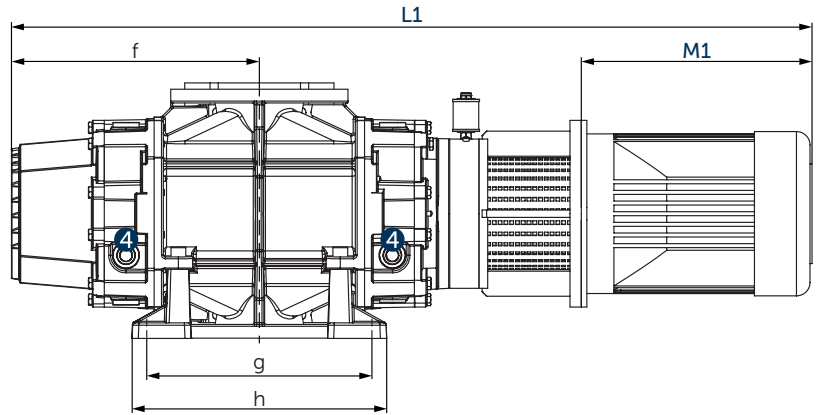
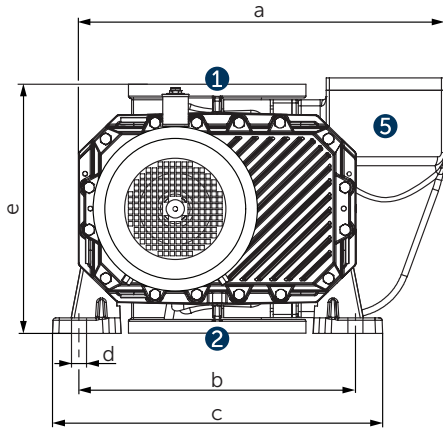
AS PUMP STAND THE MORE EFFICIENT SOLUTION FOR INCREASED EVACUATION SPEEDS

compared to vacuum pumps which are integrated into
packaging machines



**Booster
pump stand**





- 1 Vacuum connection
- 2 Connection rotary vane vacuum pump
Connection sizes:
RBP 500 = DN100 PN10 DIN 2532
RBP 1000 = DN100 PN10 DIN 2532
RBP 2000 = DN150 PN10 DIN 2532

- 3 Oil filling
- 4 Oil sight glas
- 5 Bypass valve
- L Overall device length **L1** with motor. **L1** and **M1** are variable, see separate motor specification sheet.
 - The motor illustration may vary.
 - Dimensions in inch

	a	b	c	d	e	f	g	h	k1	k2	n	o
RBP 500	14.6	11.4	14.4	0.7	12.6	11.5	9.1	10.6	Ø0.7	M16	Ø7.1	Ø8.7
RBP 1000	17.9	13.9	16.8	0.7	13.8	13.8	11.1	12.9	Ø0.7	M16	Ø7.1	Ø8.7
RBP 2000	23.0	17.5	21.0	0.9	15.8	15.7	14.3	16.2	Ø0.9	M20	Ø9.5	Ø11.2

	Nominal capacity		Differential pressure		Installed motor power		Emission sound pressure level ¹⁾		Weight w/o motor	Oil ²⁾
	CFM		Δp in. HgV		hp		dB(A)		lbs	U.S. gal.
	50 Hz	60 Hz	50 Hz	60 Hz	50 Hz	60 Hz	50 Hz	60 Hz		
RBP 500	294	353	1.77	1.77	3.0-4.0	3.0-4.0	73	78	≈141	≈0.5
RBP 1000	588	706	1.77	1.77	5.4-7.4	5.4-7.4	74	78	≈228	≈0.7
RBP 2000	1176	1412	1.77	1.77	7.4-10.1	7.4-10.1	74	79	≈360	≈1.3

¹⁾ DIN EN ISO 2151, tolerance ±2 dB(A)

²⁾ Becker Lube G 220

▪ The Roots pumps can only be used in combination with oil-lubricated rotary vane vacuum pumps.



MAKE IT BECKER.

HOMEPAGE
RBP SERIES



DOWNLOAD
MOTOR SPECS.



ONLINE SHOP
RBP



www.beckerpumps.com
www.becker-international.com

