

Betriebsanleitung
Operating Instructions
Instructions de service
Istruzioni d'uso
Handleiding
Instrucciones para el manejo
Manual de instruções
Naudojimosi instrukcija
Kasutusjuhend
Lietošanas instrukcija
Driftsinstruks
Driftsinstruktioner
Käyttöohje
Driftsvejledning
Instrukcja obsługi

Kezelési útmutató
Нáвод k obsluze
Navodilo za uporabo
Нáвод на obsluhu
Upute za rad
Manual de operatii
Treoracha Oibriúcháin
Οδηγίες χρήσης
Ei Kitabi
Инструкция за експлоатация
Инструкция по эксплуатации
取扱説明書
사용설명서
使用说明书

SV 1100
SV 1101

2006/42/EG

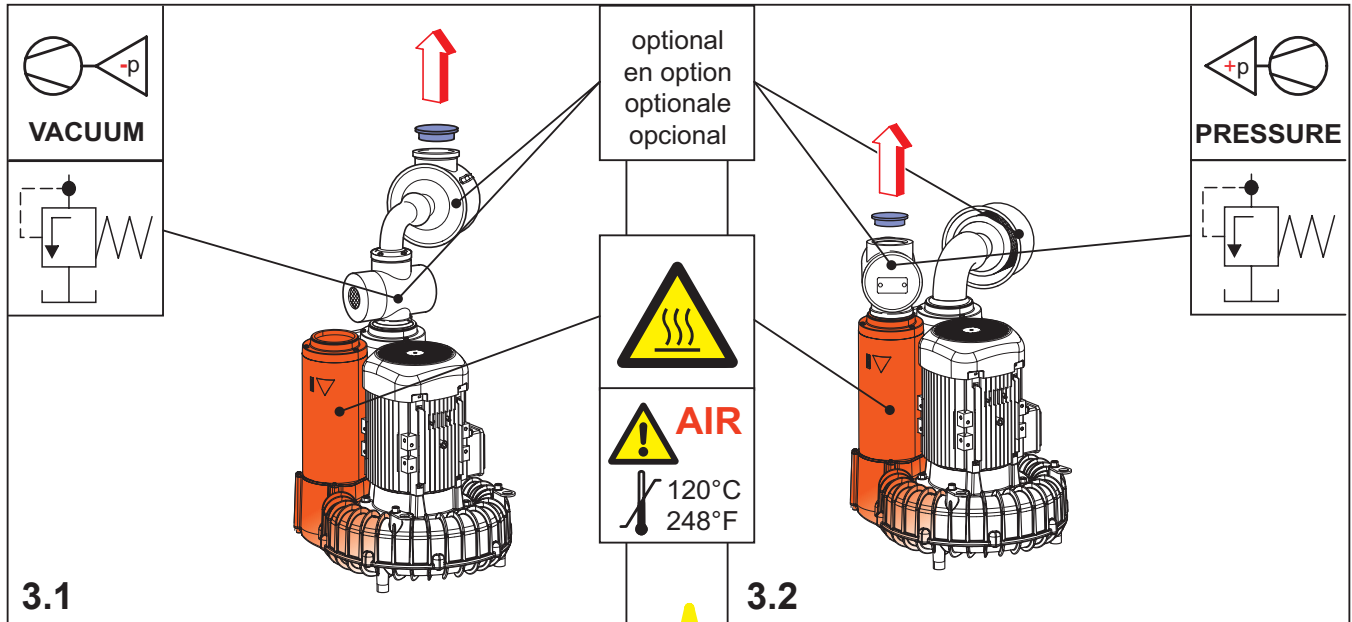


DIN EN ISO 9001
 001929 QM
 DIN EN ISO 14001:2015

		MAX. PRESSURE MAX. VACUUM		mbar
		MAX.		m³/h
		DIN EN ISO 3744	L_{pA} = 75 dB(A) - 50Hz L_{pA} = 79 dB(A) - 60Hz K_{pA} = 3 dB(A)	

static inst. ①-③		dynamic installation ↳ Gebr. BECKER		
 125-160 kg 276-353 lbs			INLET AIR 40°C/104°F -10°C/14°F 0°C/32°F	max. 90%
			max. 800m	

28100060700 03/19



5

BECKER Mat.Nr. XXXXXXXX ENXXXXX CE No.UD XXXXXXXX 3~Mot. XXXXXXXXXX	
50 Hz XXXkW XXX-XXXV / XXX-XXXV V Δ / Y XXX-XXX A cos φ 0.88-0.93 XXXX-XXXX /min	60 Hz XXXkW XXX-XXXV / XXX-XXXV V Δ / Y XXX-XXX A cos φ 0.88-0.93 XXXX-XXXX /min

6

GENERAL

1) motor protection switch

RECOMMENDATION

A Softstart

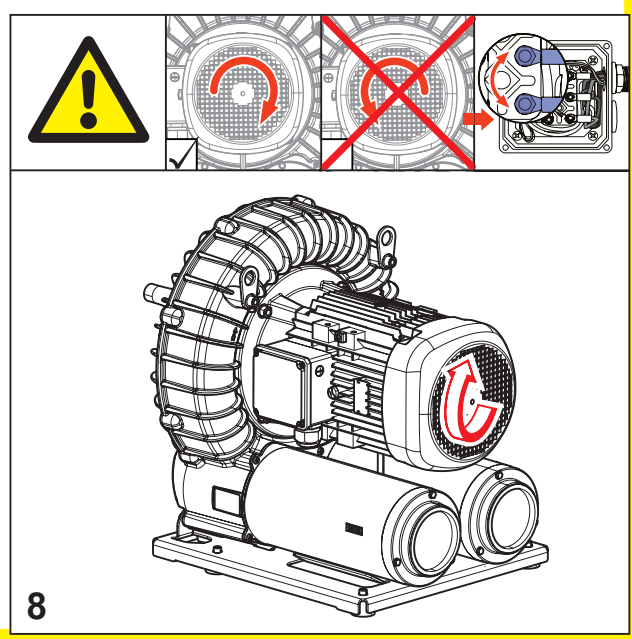
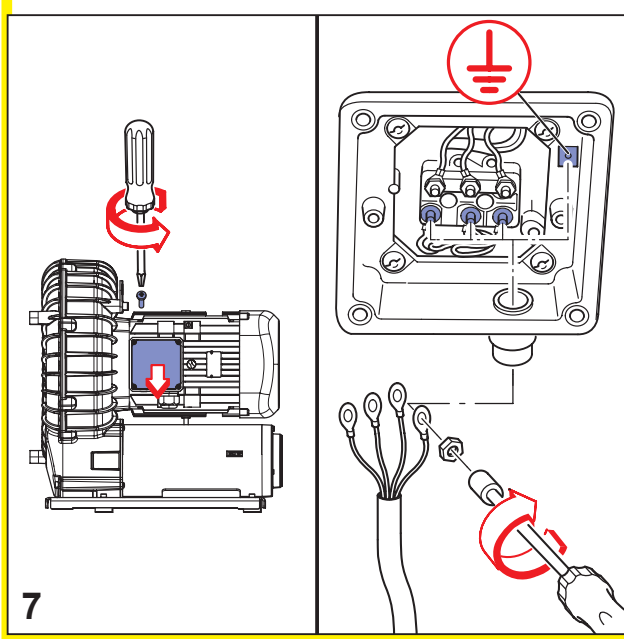
B

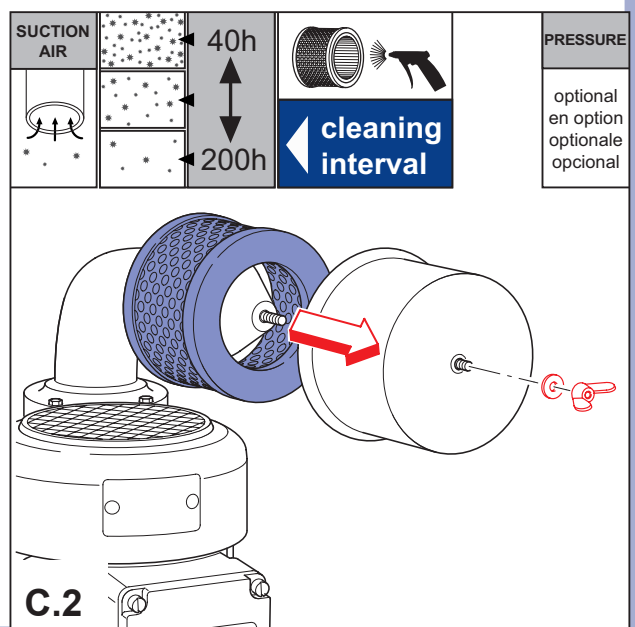
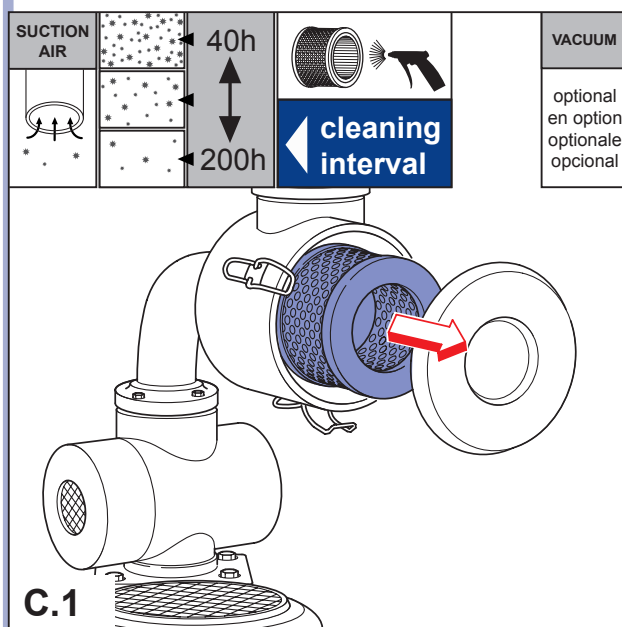
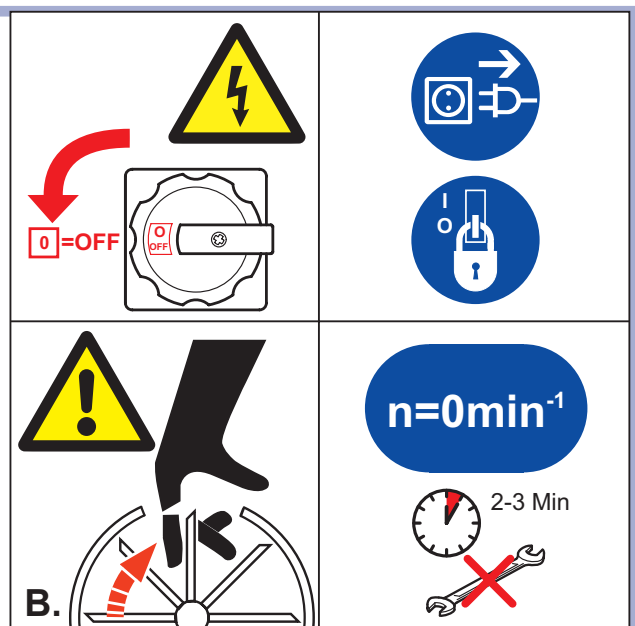
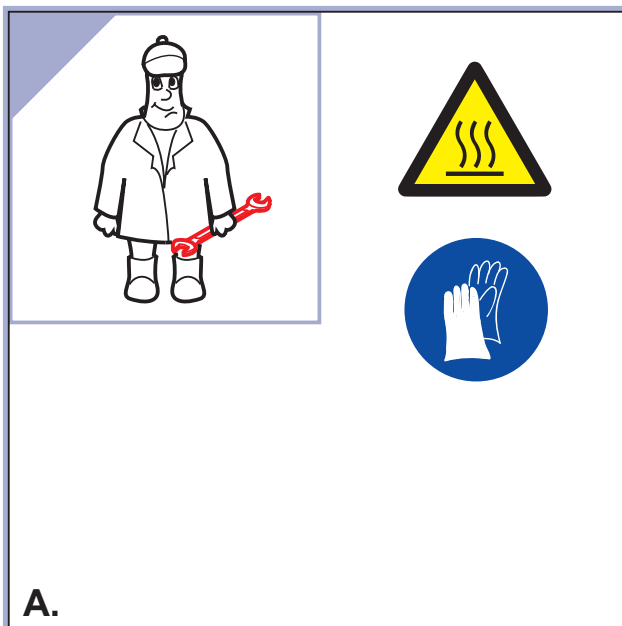
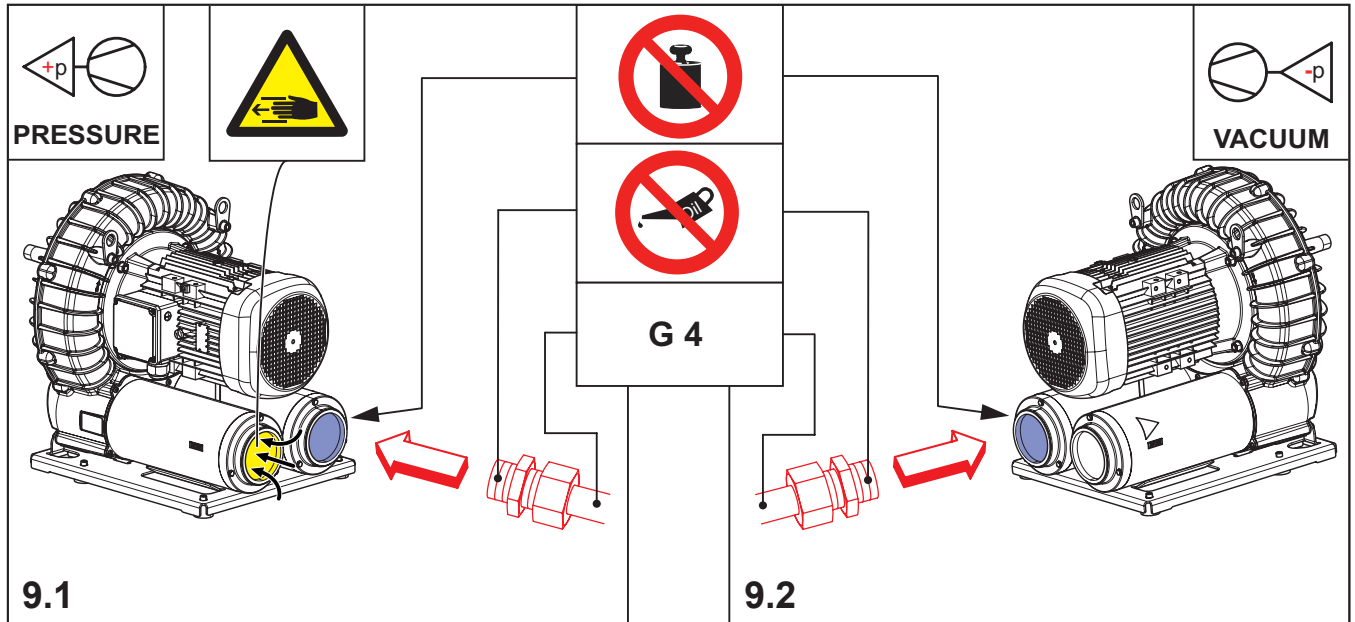
OPTIONAL PTC

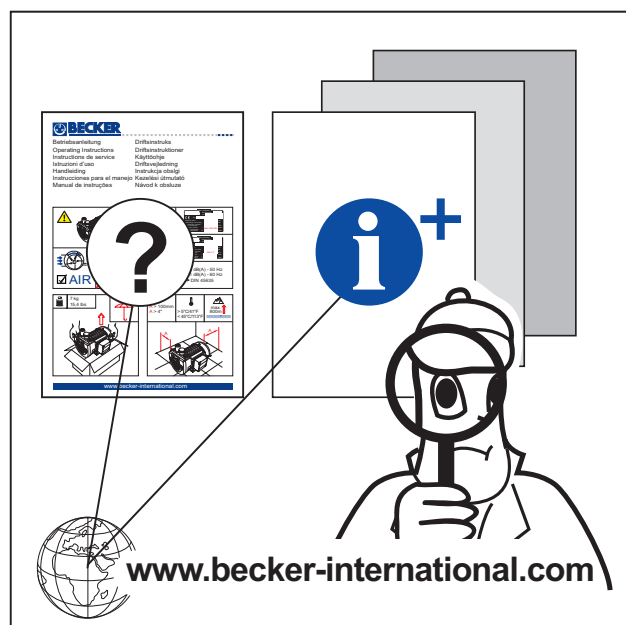
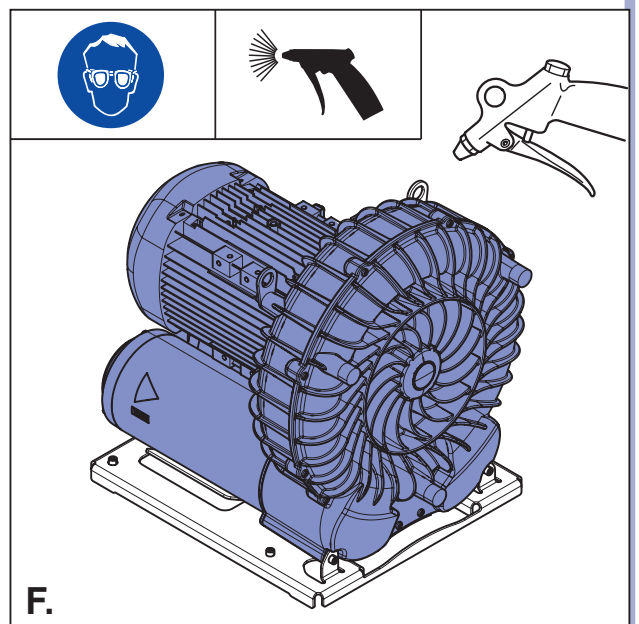
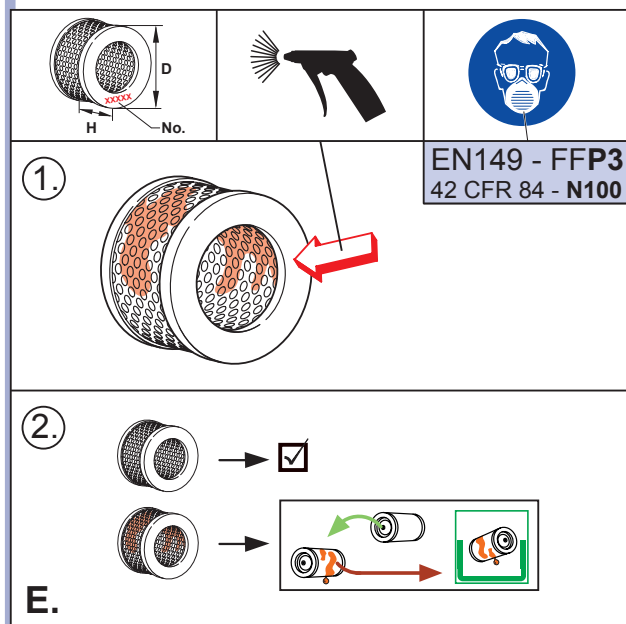
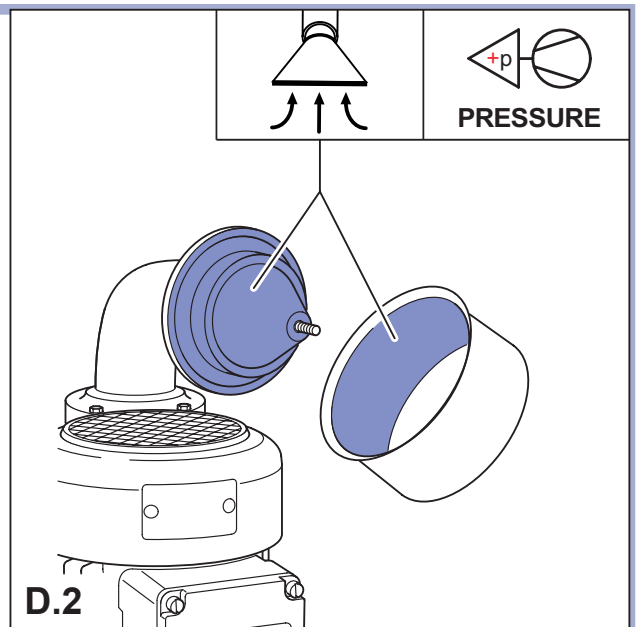
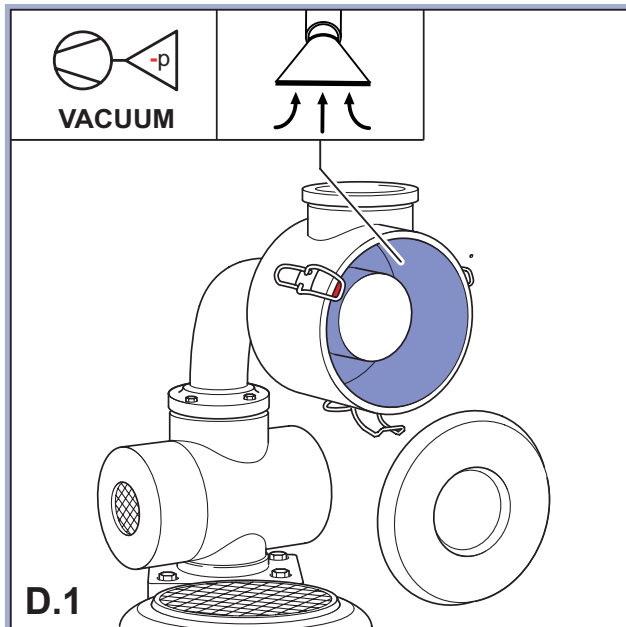
ON (I) - 1 2 MAX 10/h

OFF (0) - ≥60s

ADDITIONAL M_{3~} ≥ 5.5 kW







Gebr. Becker GmbH
Hölker Feld 29-31
D-42279 Wuppertal
info@becker-international.com

SERVICE
www.becker-international.com
Sales and service network