

Betriebsanleitung
Operating Instructions
Instructions de service
Istruzioni d'uso
Handleiding
Instrucciones para el manejo
Manual de instruções
Naudojimosi instrukcija
Kasutusjuhend
Lietošanas instrukcija
Driftsinstruks
Driftsinstruktioner
Käyttöohje
Driftsvejledning
Instrukcja obsługi

Kezelési útmutató
Νάvod k obsluze
Navodilo za uporabo
Νάvod na obsluhu
Upute za rad
Manual de operatii
Treoracha Oibriúcháin
Οδηγίες χρήσης
EI Kitabi
Инструкции за експлоатация
Инструкция по эксплуатации
取扱説明書
사용설명서
使用说明书

SV 200
SV 201

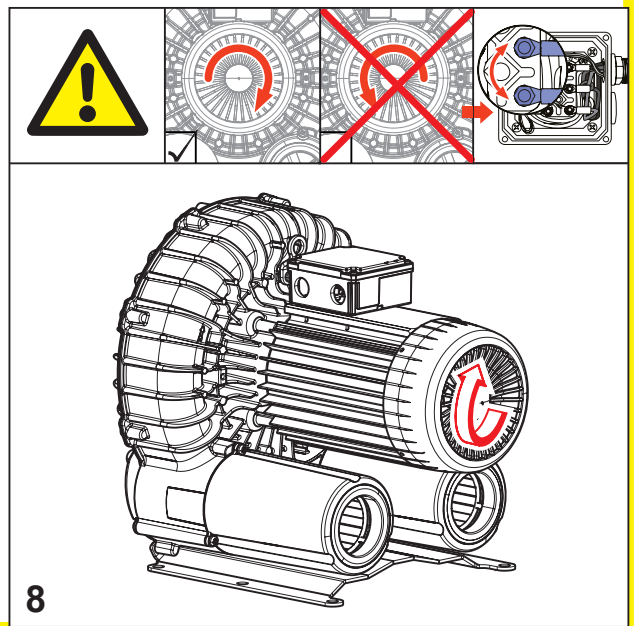
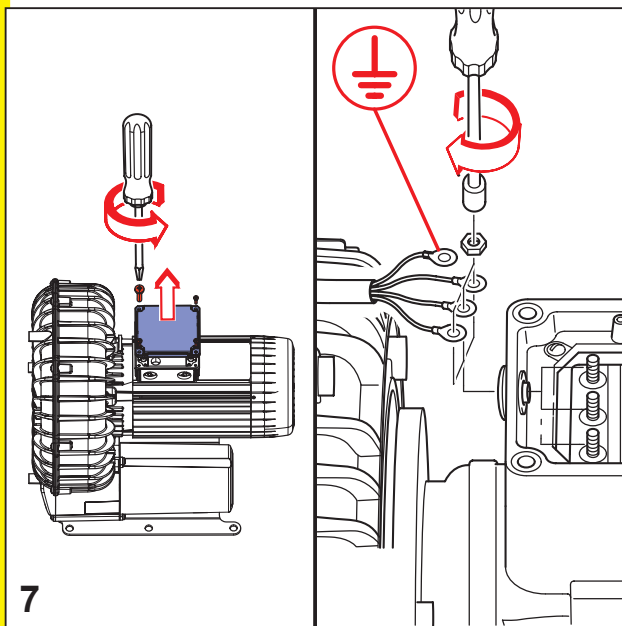
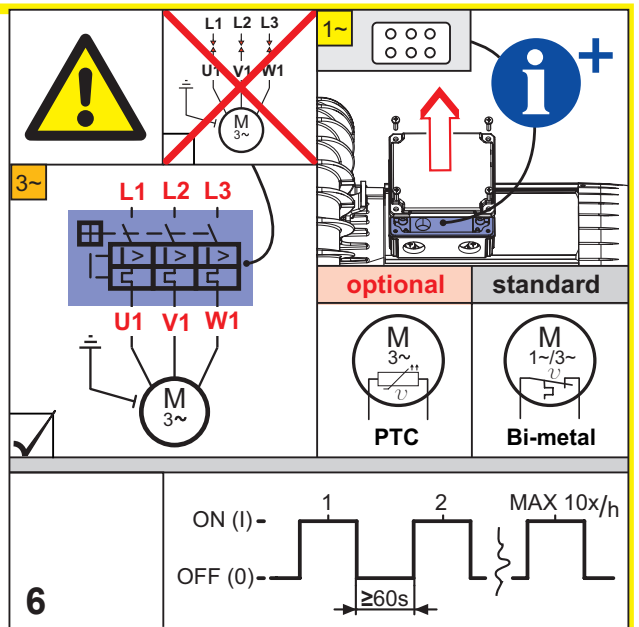
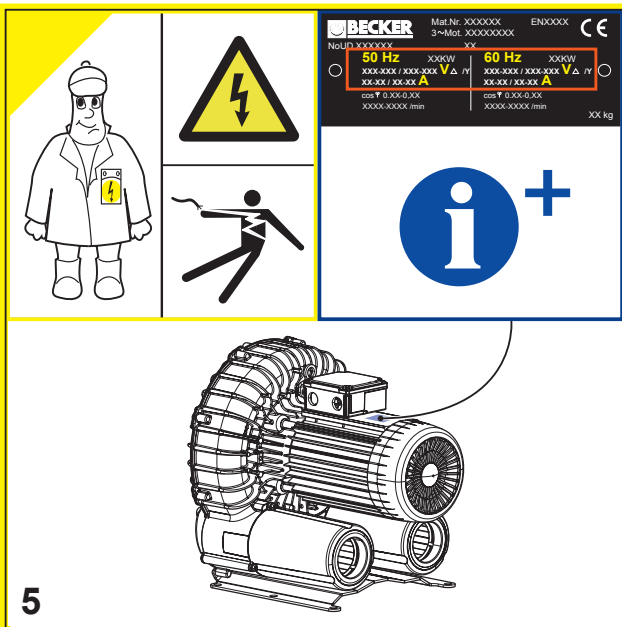
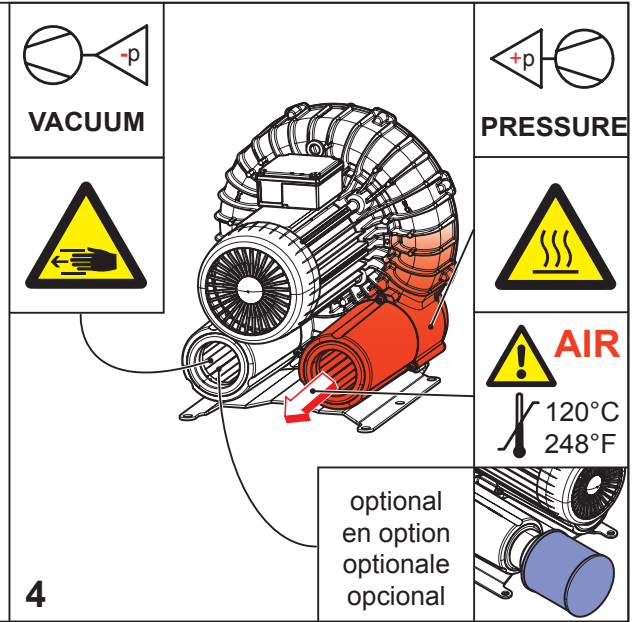
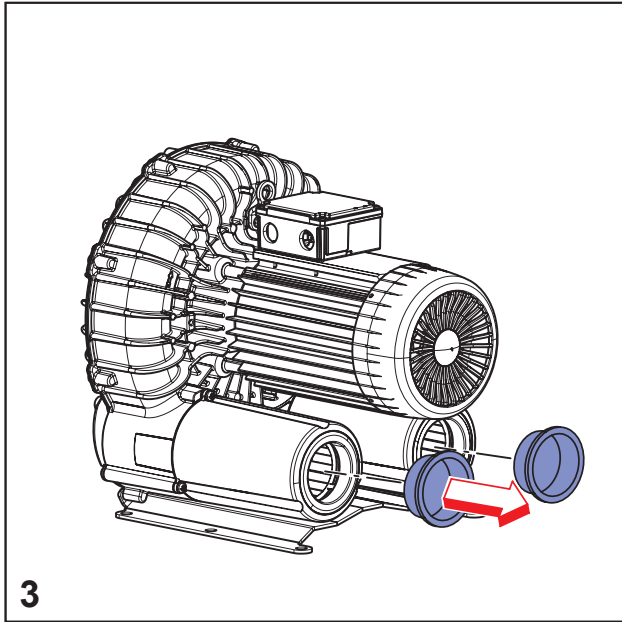
2006/42/EG

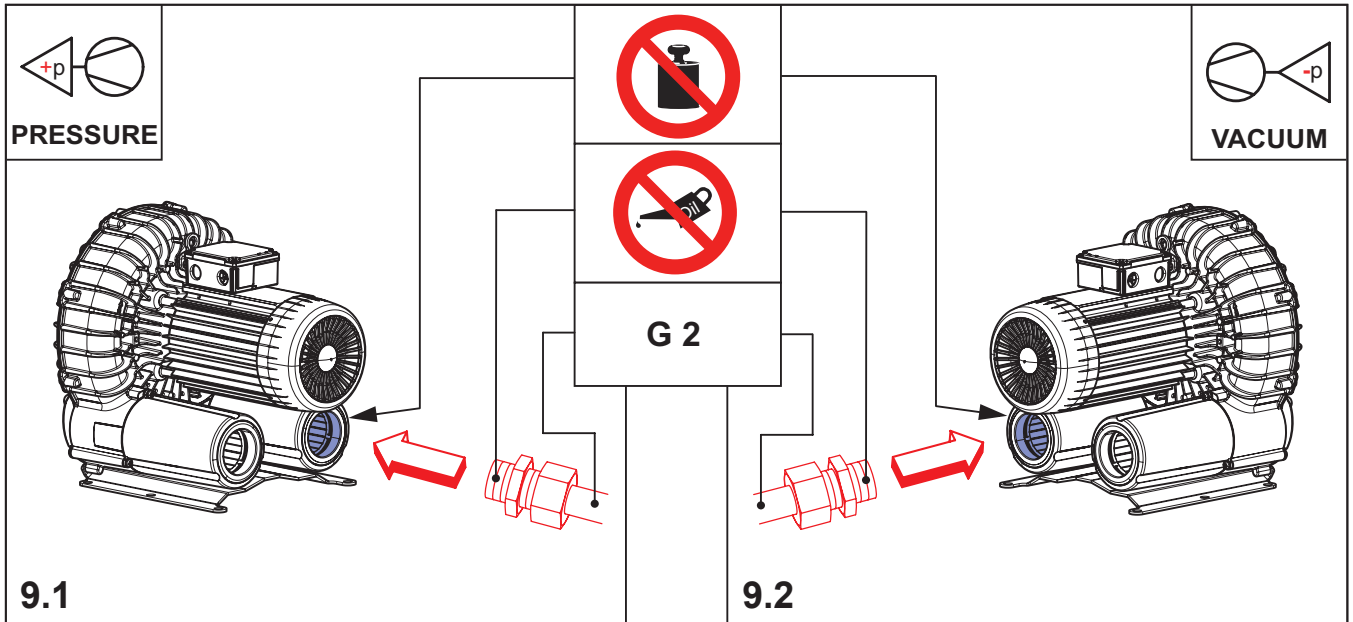


DIN EN ISO 9001
 001929 QM
 DIN EN ISO 14001:2015

						<p>m³/h mbar</p>
<p>AIR</p>				<p>SV 200/1 (Pressure) ▶ 50/60 Hz, +175/+155 mbar L_{pA} = 64.6/68.2 dB(A)</p> <p>SV 200/1 (Vacuum) ▶ 50/60 Hz, -145/-165 mbar L_{pA} = 63.9/69.2 dB(A)</p> <p>SV 200/2 (Pressure) ▶ 50/60 Hz, +275/+300 mbar L_{pA} = 64.5/67.6 dB(A)</p> <p>SV 200/2 (Vacuum) ▶ 50/60 Hz, -230/-245 mbar L_{pA} = 63.7/68.4 dB(A)</p>		

<p>static inst. ①-④</p>	<p>dynamic installation ↳ Gebr. BECKER</p>	<p>40°C/104°F 15°C/59°F 1~ -10°C/14°F 3~</p>	<p>optional en option optionale opcional + Filter</p>
<p>INLET AIR</p> <p>40°C/104°F 0°C/32°F</p>	<p>A > 100mm A > 4"</p> <p>B > 260mm B > 11"</p>	<p>max. 800m</p>	<p>max. 90%</p>
<p>1</p> <p>28 kg 62 lbs</p>	<p>2</p>		





A.

This section contains three safety-related icons: a worker in a white protective suit and helmet holding a red wrench, a yellow triangular warning sign with three wavy lines representing heat, and a blue circular icon showing a pair of white gloves.

B.

This section contains three safety-related icons: a yellow triangular warning sign with a lightning bolt representing electrical hazard, a blue circular icon with a lock and a key representing lockout/tagout, and a blue oval containing the text $n=0\text{min}^{-1}$. Below the oval is a speedometer icon with a needle pointing to 0 and the text "2-3 Min" next to it, and a red wrench icon with a red 'X' over it.

C.

SUCTION AIR **40h** **200h** **cleaning interval**

PRESSURE
optional
en option
opcionale
opcional

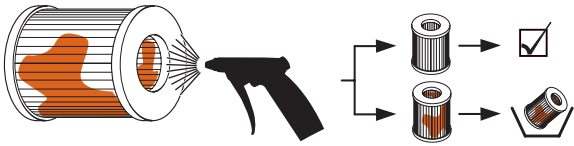
This section shows a motor labeled F1 with a suction air inlet. A diagram above the motor shows a filter with arrows indicating air flow. The filter is labeled with "40h" and "200h" and a double-headed arrow between them, with the text "cleaning interval" below it. A red arrow points out from the bottom of the motor.

D.

SUCTION AIR **40h** **200h** **cleaning interval**

VACUUM PRESSURE
optional
en option
opcionale
opcional

This section shows a motor labeled F2 with a suction air inlet. A diagram above the motor shows a filter with arrows indicating air flow. The filter is labeled with "40h" and "200h" and a double-headed arrow between them, with the text "cleaning interval" below it. A red arrow points out from the bottom of the motor. A connection labeled G 2 1/2 is shown on the side of the motor.



F1: PRESSURE

No.: 74000501000

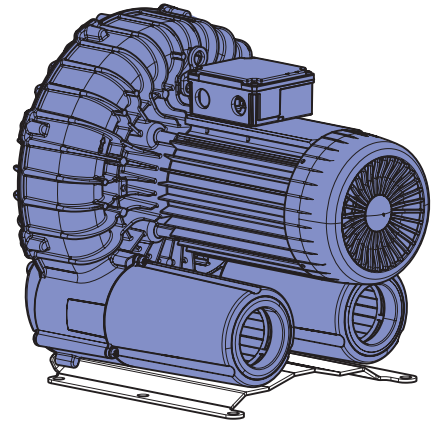
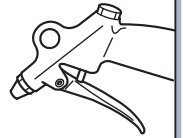
**F2: VACUUM
+ PRESSURE**

No.: 90951070000

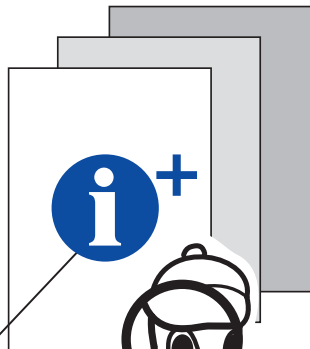
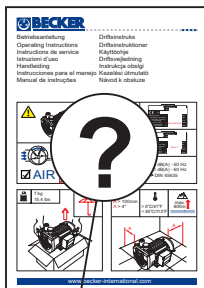


**EN149 - FFP3
42 CFR 84 - N100**

E.



F.



www.becker-international.com



Gebr. Becker GmbH
Hölker Feld 29-31
D-42279 Wuppertal
info@becker-international.com



SERVICE

www.becker-international.com

Sales and service network

www.becker-international.com