

Betriebsanleitung
 Operating Instructions
 Instructions de service
 Istruzioni d'uso
 Handleiding
 Instrucciones para el manejo
 Manual de instruções
 Naudojimosi instrukcija
 Kasutusjuhend
 Lietošanas instrukcija
 Driftsinstruks
 Driftsinstruktioner
 Käyttöohje
 Driftsvejledning
 Instrukcja obsługi

Kezelési útmutató
 Návod k obsluze
 Navodilo za uporabo
 Návod na obsluhu
 Upute za rad
 Manual de operatii
 Treoracha Oibriúcháin
 Οδηγίες χρήσης
 El Kitabi
 Инструкции за експлоатация
 Инструкция по эксплуатации
 取扱説明書
 사용설명서
 使用说明书

SV 300

2006/42/EG

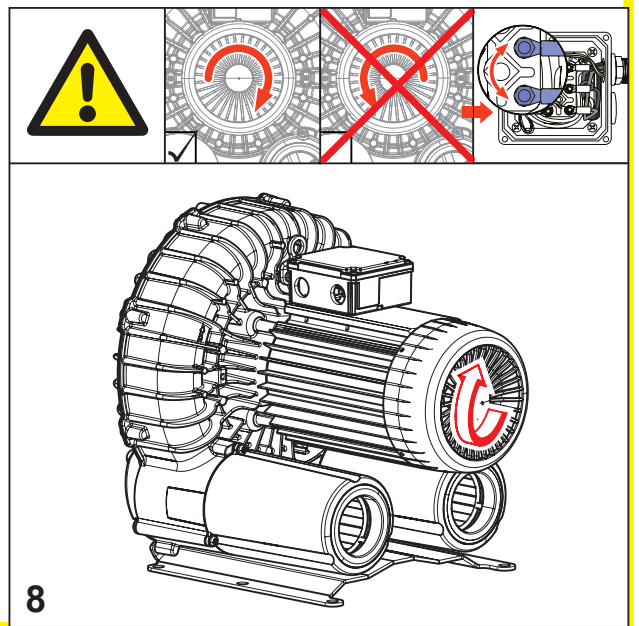
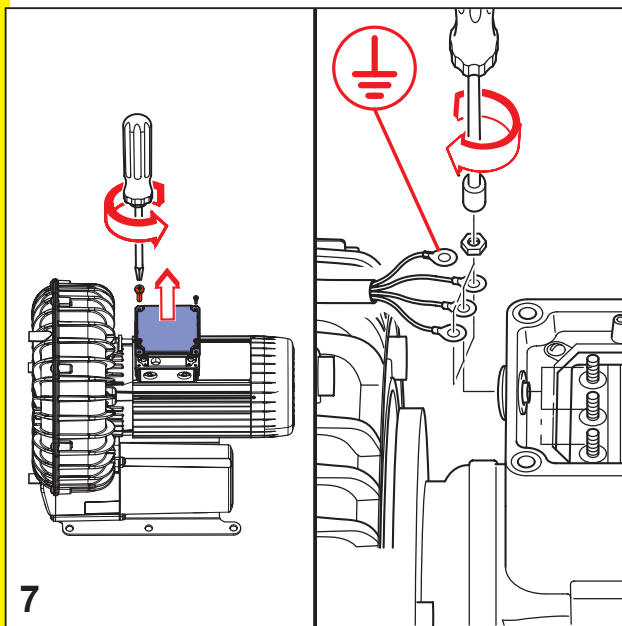
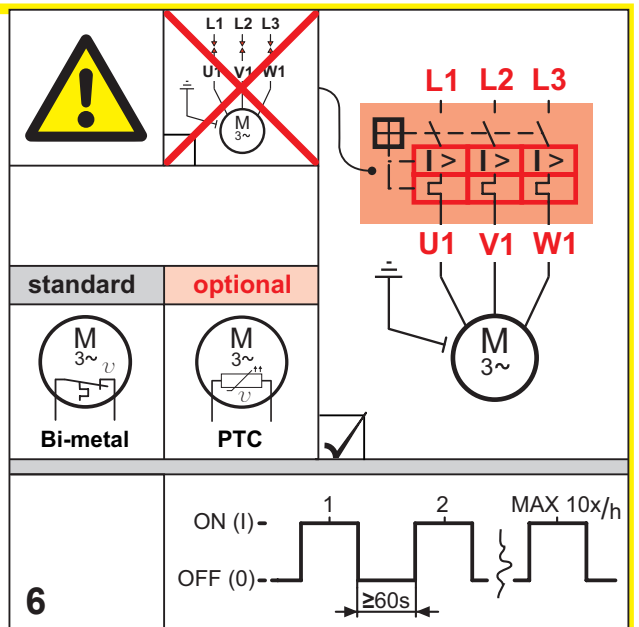
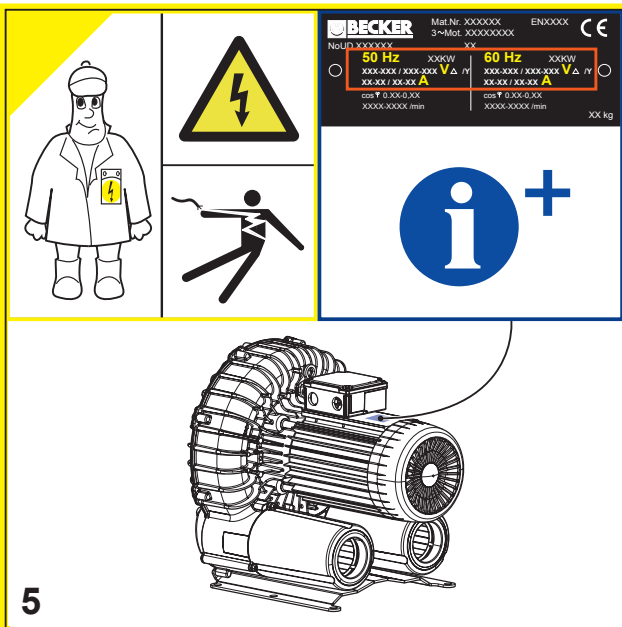
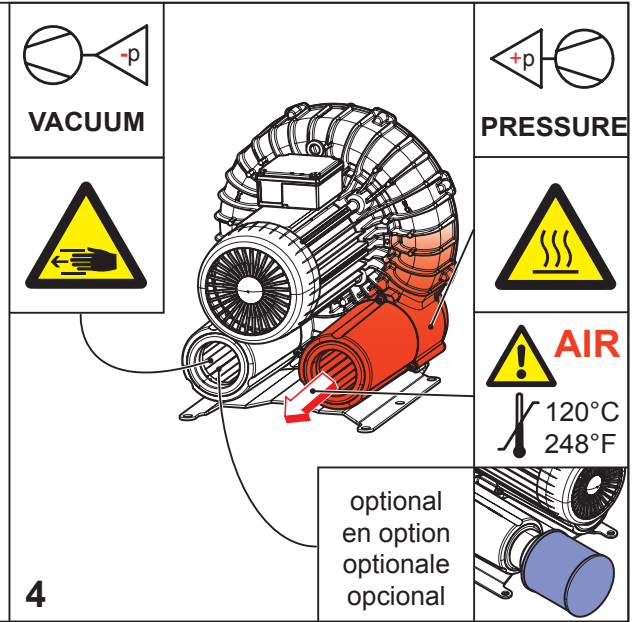
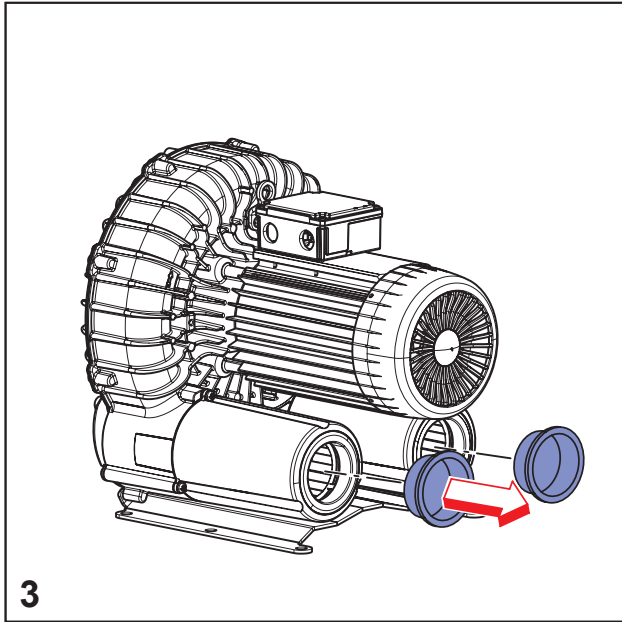


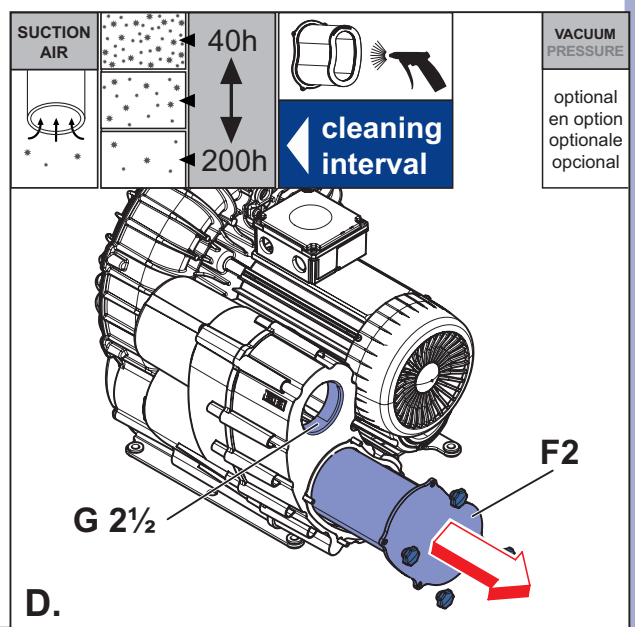
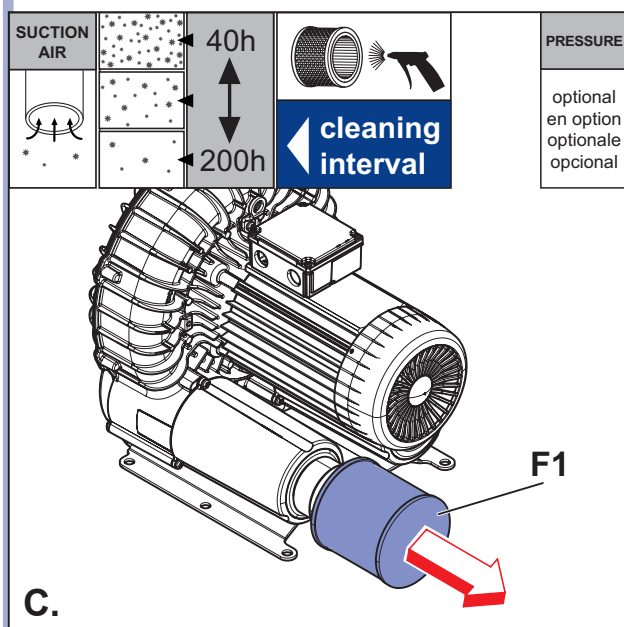
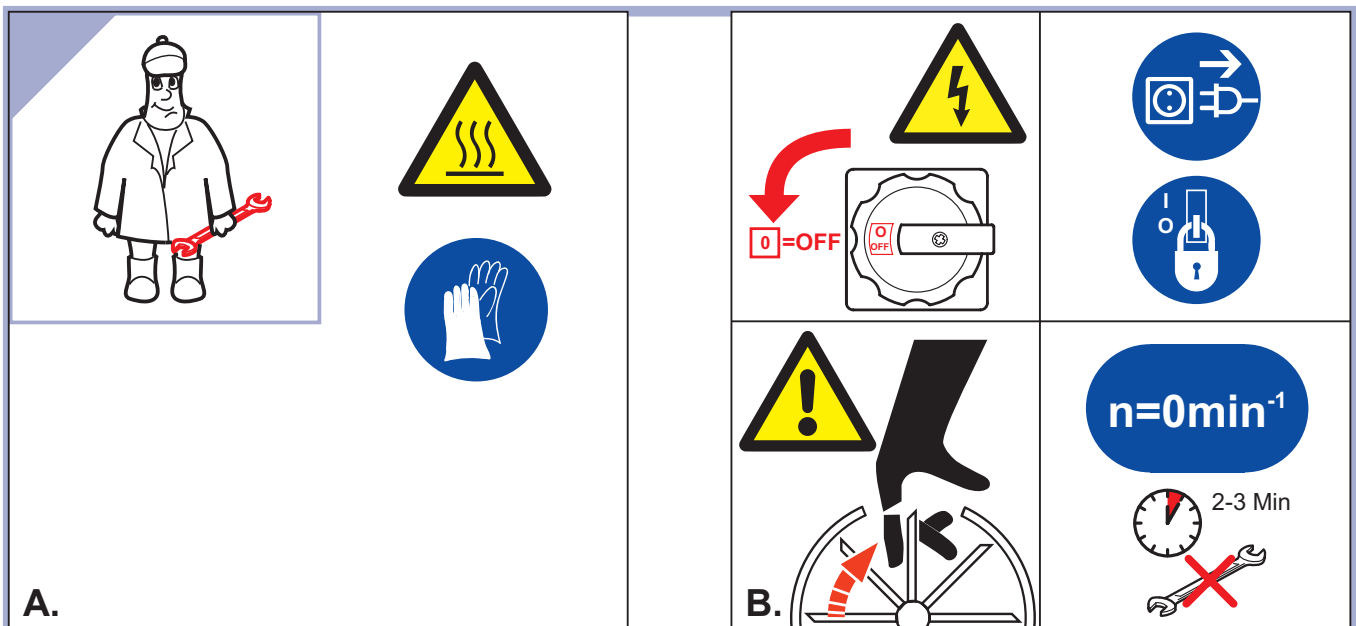
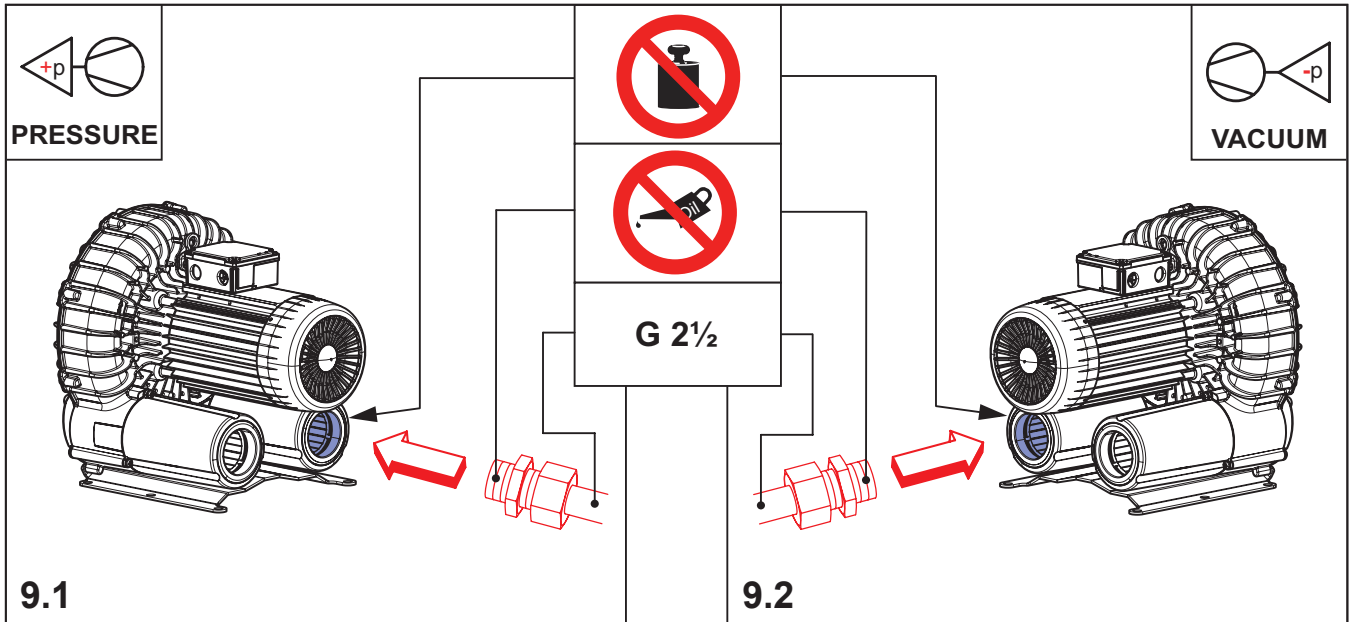
DIN EN ISO 9001
 001929 QM
 DIN EN ISO 14001:2015

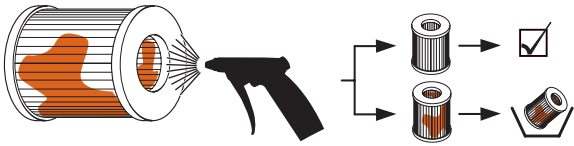
<p>AIR</p>			<p>DIN EN ISO 3744 $K_{pA} = 3 \text{ dB(A)}$</p> <p>SV 300/1 (Pressure) ▶ 50/60 Hz, +255/+235 mbar $L_{pA} = 72.8/73.4 \text{ dB(A)}$</p> <p>SV 300/1 (Vacuum) ▶ 50/60 Hz, -205/-195 mbar $L_{pA} = 71.4/72.7 \text{ dB(A)}$</p> <p>SV 300/2 (Pressure) ▶ 50/60 Hz, +330/+330 mbar $L_{pA} = 71.7/74.5 \text{ dB(A)}$</p> <p>SV 300/2 (Vacuum) ▶ 50/60 Hz, -275/-275 mbar $L_{pA} = 69.9/69.7 \text{ dB(A)}$</p>	<p>m³/h mbar</p>

<p>static inst. ①-④</p>	<p>dynamic installation ↳ Gebr. BECKER</p>	<p>40°C/104°F -10°C/14°F</p> <p>INLET AIR 40°C/104°F 0°C/32°F</p>	<p>optional en option optionale opcional + Filter</p> <p>A > 100mm A > 4"</p> <p>B > 295mm B > 11½"</p>
<p>1</p> <p>37-52 kg 82-115 lbs</p>	<p>2</p>	<p>max. 800m</p> <p>max. 90%</p>	

28100016601 06/18







F1: PRESSURE

No.: 90957300000

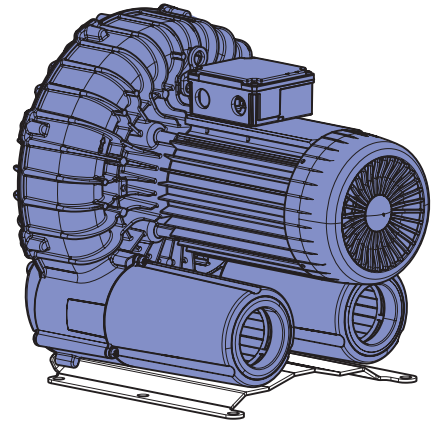
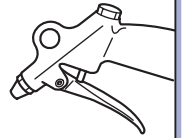
**F2: VACUUM
+ PRESSURE**

No.: 90951030000

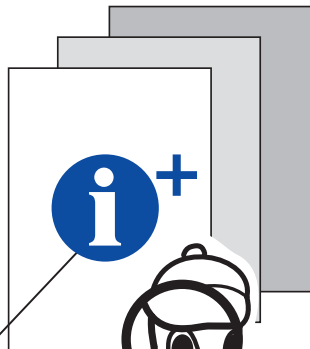
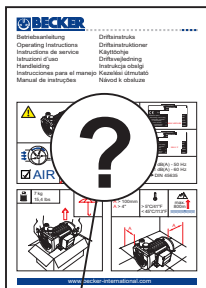


**EN149 - FFP3
42 CFR 84 - N100**

E.



F.



www.becker-international.com



Gebr. Becker GmbH
Hölker Feld 29-31
D-42279 Wuppertal
info@becker-international.com



SERVICE

www.becker-international.com

Sales and service network