

**A.**

**B.**

**C.**

**SUCTION AIR**

40h  
↕  
200h

**cleaning interval**

**optional en option optionale opcional**

**PRESSURE**

F1

**D.**

**SUCTION AIR**

40h  
↕  
200h

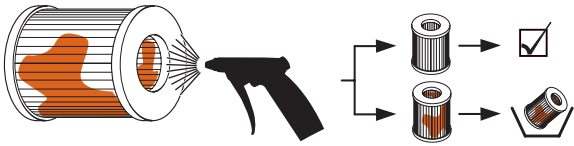
**cleaning interval**

**optional en option optionale opcional**

**VACUUM PRESSURE**

G 2½

F2



**F1: PRESSURE**

No.: 90959100000

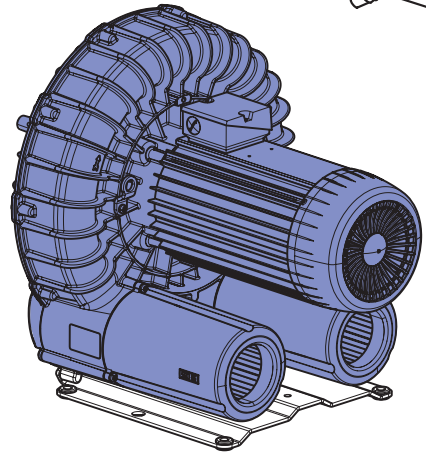
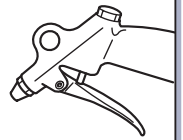
**F2: VACUUM  
+ PRESSURE**

No.: 90951030000

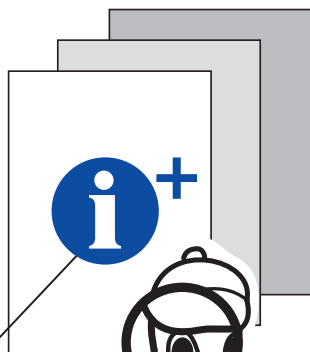
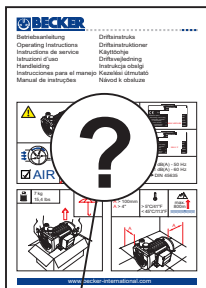


**EN149 - FFP3  
42 CFR 84 - N100**

**E.**



**F.**



[www.becker-international.com](http://www.becker-international.com)

**BECKER**

Gebr. Becker GmbH  
Hölker Feld 29-31  
D-42279 Wuppertal  
[info@becker-international.com](mailto:info@becker-international.com)



[www.becker-international.com](http://www.becker-international.com)

Sales and service network

[www.becker-international.com](http://www.becker-international.com)