

Betriebsanleitung
Operating Instructions
Instructions de service
Istruzioni d'uso
Handleiding
Instrucciones para el manejo
Manual de instruções
Naudojimosi instrukcija
Kasutusjuhend
Lietošanas instrukcija
Driftsinstruks
Driftsinstruktioner
Käyttöohje
Driftsvejledning
Instrukcja obsługi

Kezelési útmutató
Нáвод k obsluze
Navodilo za uporabo
Нáвод на obsluhu
Upute za rad
Manual de operatii
Treoracha Oibriúcháin
Οδηγίες χρήσης
Ei Kitabi
Инструкция за експлоатация
Инструкция по эксплуатации
取扱説明書
사용설명서
使用说明书

SV 700
SV 701

2006/42/EG

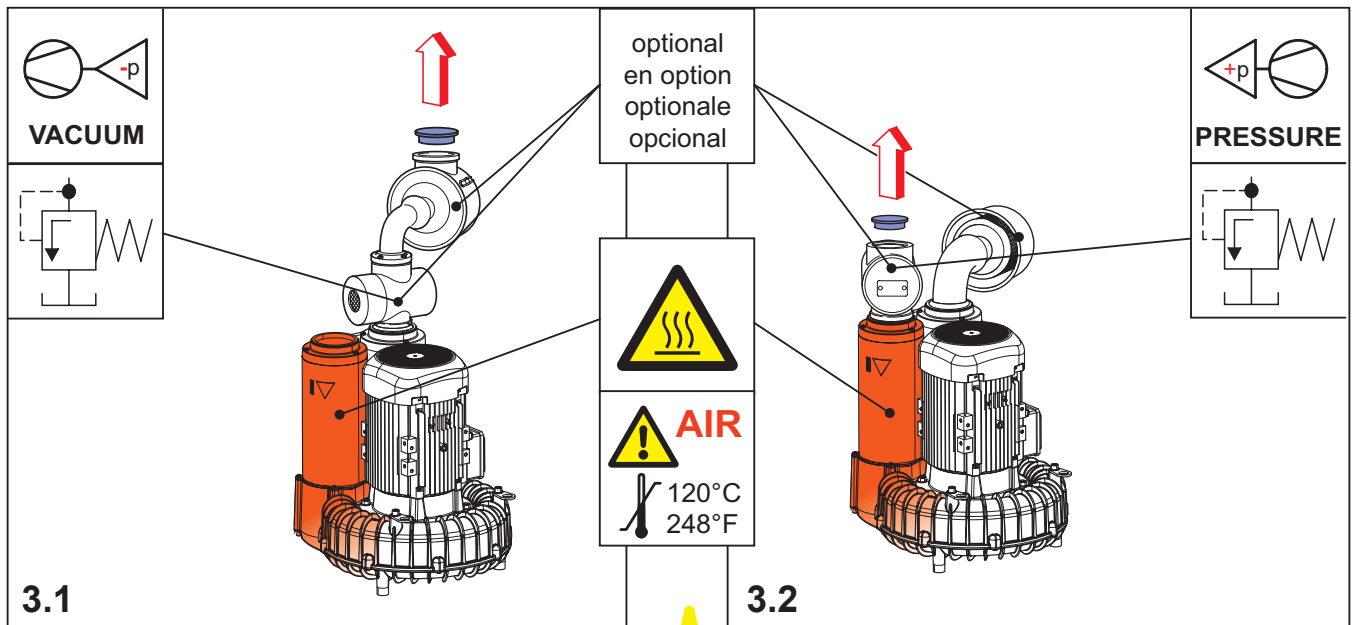


DIN EN ISO 9001
 001929 QM
 DIN EN ISO 14001:2015

		MAX. PRESSURE MAX. VACUUM		mbar
				m³/h
		DIN EN ISO 3744	L_{pA} = 72 dB(A) - 50Hz L_{pA} = 76 dB(A) - 60Hz K_{pA} = 3 dB(A)	

static inst. ①-③		dynamic installation ↳ Gebr. BECKER	
 90-135 kg 168-298 lbs			

28100060600 03/19



4

BECKER		Mat.Nr. XXXXXXX	ENXXXX	CE
No. d. n. XXXXXXX		XX		
50 Hz	XXXkW	60 Hz	XXXkW	
XXX-XXX / XXX-XXX V Δ / Y	XXX-XXX / XXX-XXX V Δ / Y	XXX-XXX / XXX-XXX V Δ / Y	XXX-XXX / XXX-XXX V Δ / Y	
XXX-XXX / XXX-XXX A	XXX-XXX / XXX-XXX A	XXX-XXX / XXX-XXX A	XXX-XXX / XXX-XXX A	
cos φ 0.9X-0.9X	cos φ 0.9X-0.9X	cos φ 0.9X-0.9X	cos φ 0.9X-0.9X	
XXXX-XXXX / min	XXXX-XXXX / min	XXXX-XXXX / min	XXXX-XXXX / min	XX kg

i+

5

GENERAL

ADDITIONAL $M_{3\sim} \geq 5.5 \text{ kW}$

RECOMMENDATION

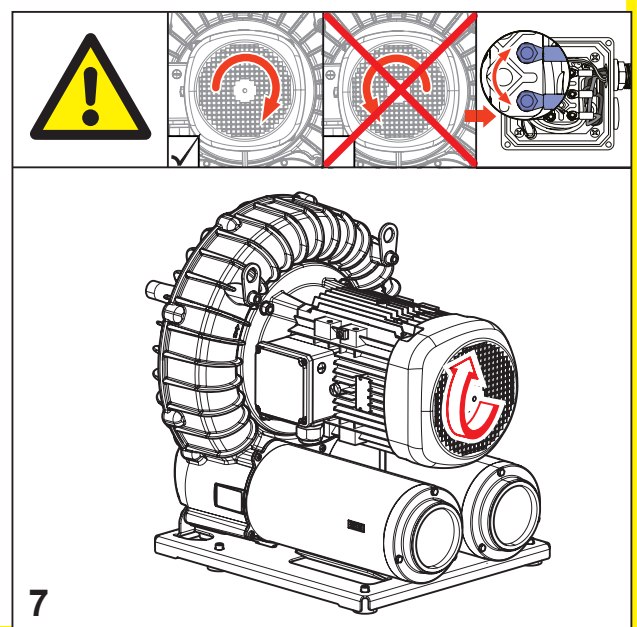
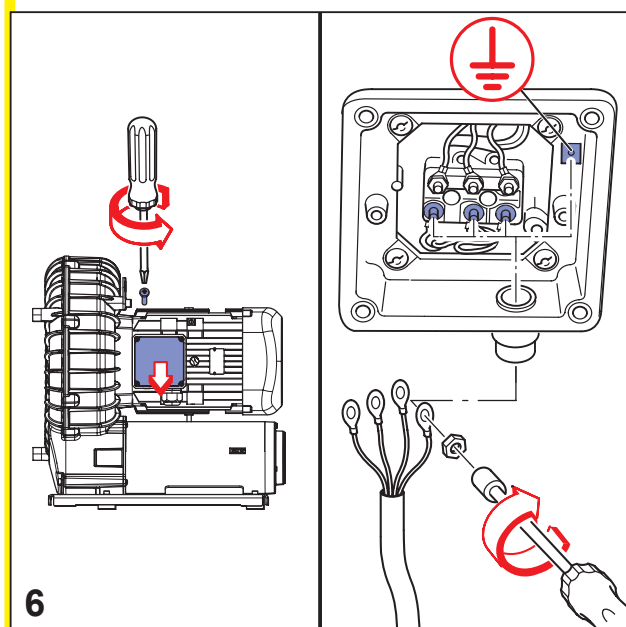
A Softstart

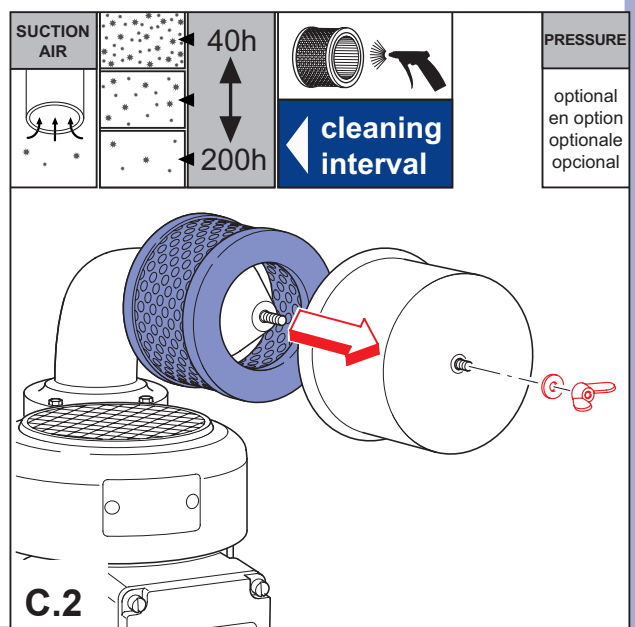
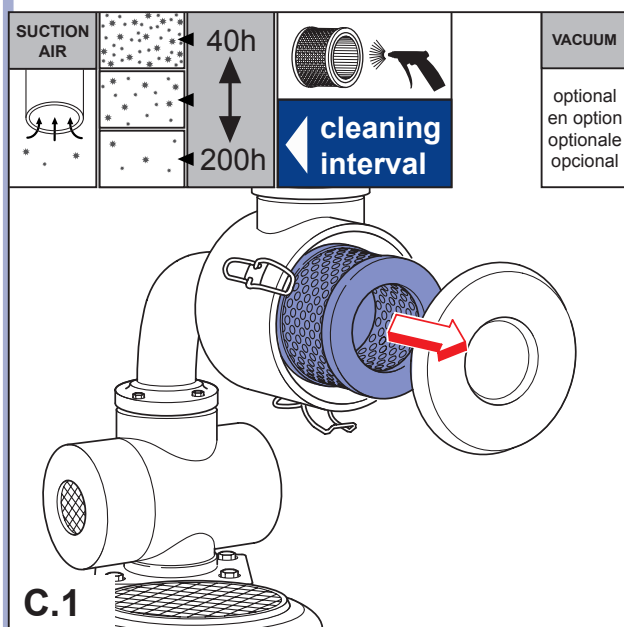
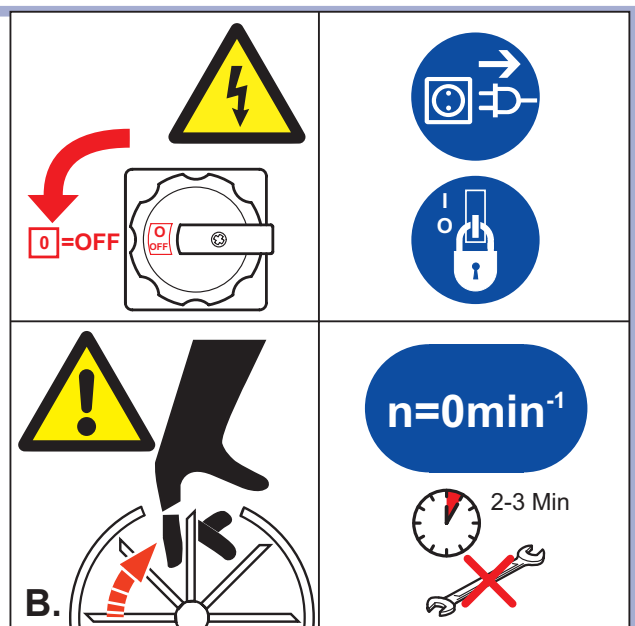
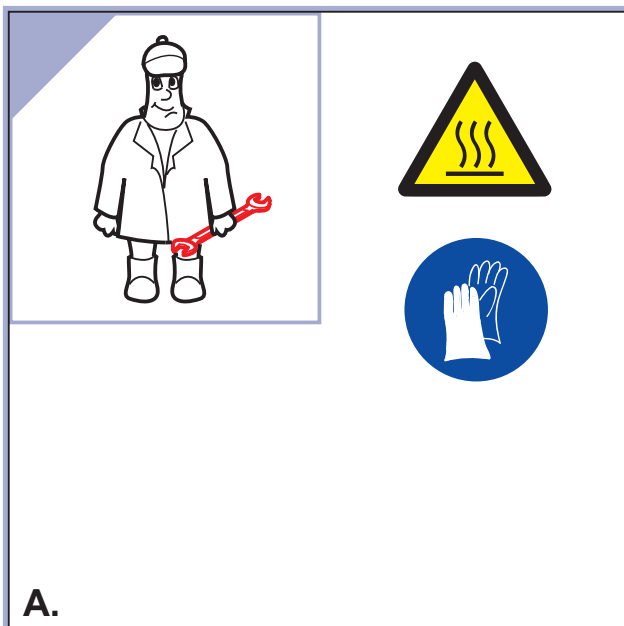
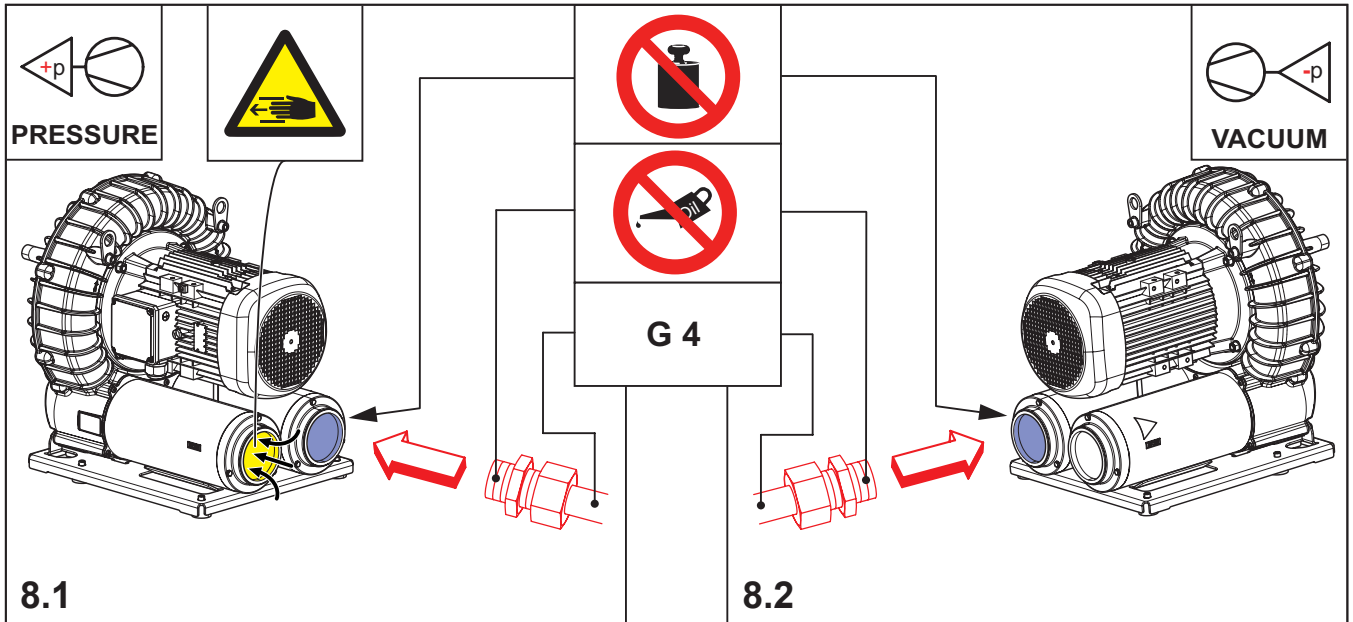
B

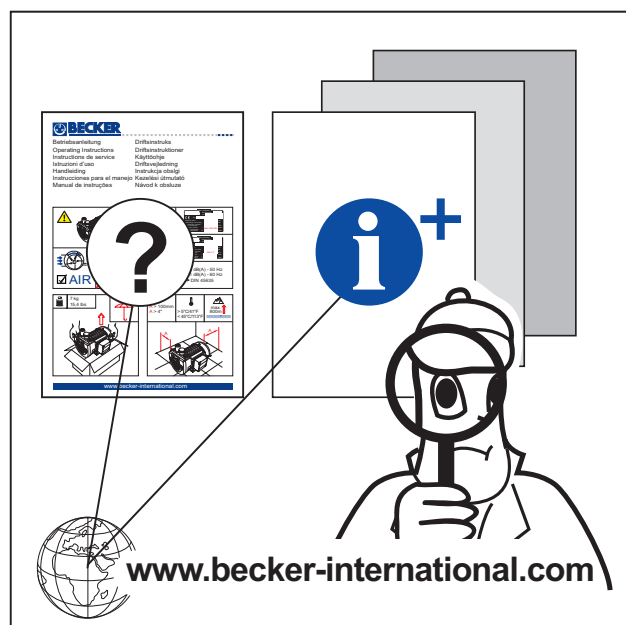
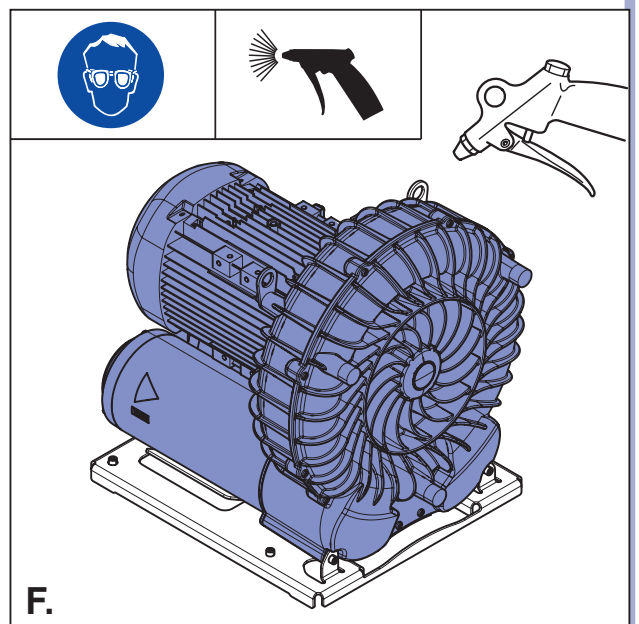
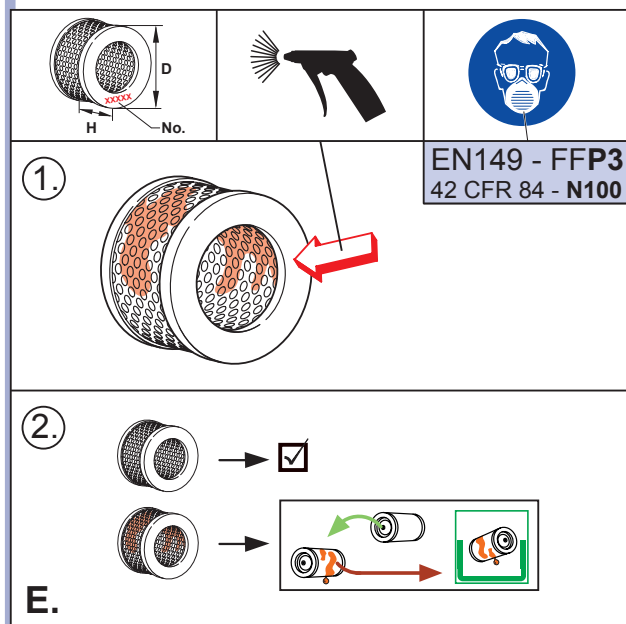
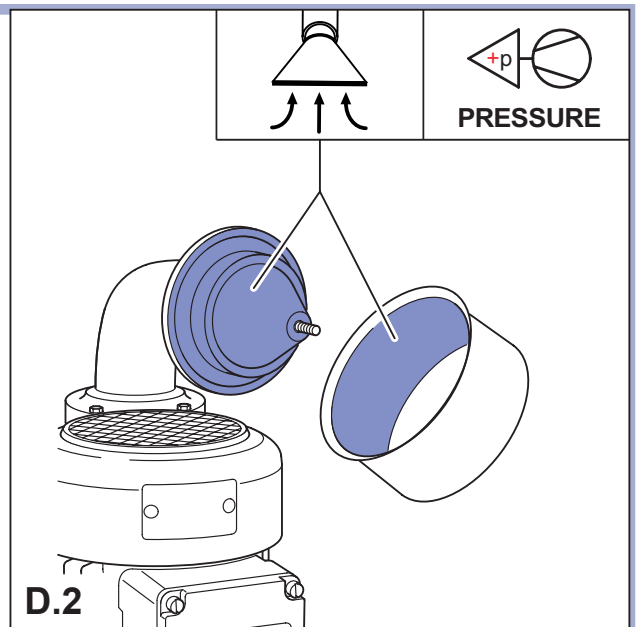
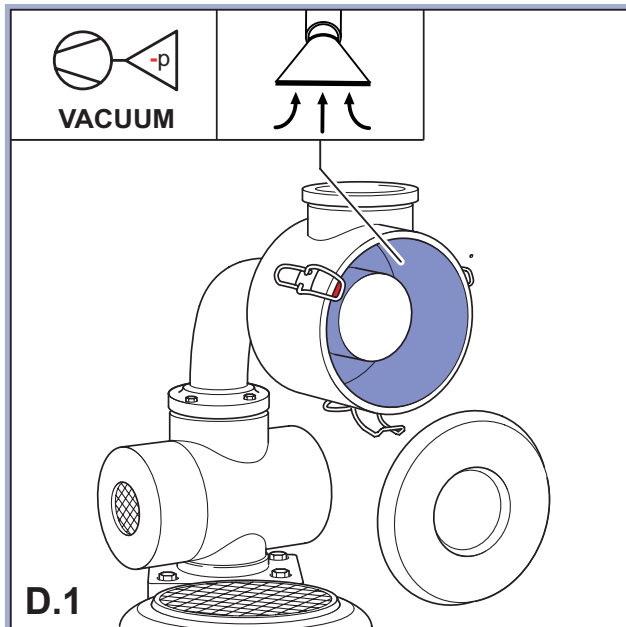
OPTIONAL PTC

ON (I) - 1 2 MAX 10/h

OFF (0) - $\geq 60s$







Gebr. Becker GmbH
Hölker Feld 29-31
D-42279 Wuppertal
info@becker-international.com

SERVICE
www.becker-international.com
Sales and service network