

Betriebsanleitung
 Operating Instructions
 Instructions de service
 Istruzioni d'uso
 Handleiding
 Instrucciones para el manejo
 Manual de instruções
 Naudojimosi instrukcija
 Kasutusjuhend
 Lietošanas instrukcija
 Driftsinstruks
 Driftsinstruktioner
 Käyttöohje
 Driftsvejledning
 Instrukcja obsługi

Kezelési útmutató
 Návod k obsluze
 Navodilo za uporabo
 Návod na obsluhu
 Upute za rad
 Manual de operatii
 Treoracha Oibriúcháin
 Οδηγίες χρήσης
 El Kitabi
 Инструкции за експлоатация
 Инструкция по эксплуатации
 取扱説明書
 사용설명서
 使用说明书

U 4.190

2006/42/EG



DIN EN ISO 14001:2005




DIN EN ISO 9001
001929 QM

	<p>Becker Lube M/S/SL 100 ▷ 7,0 Liter</p>	<p>MAX. VACUUM</p>	<p>BECKER D-42279 Wuppertal www.becker-international.com</p> <p>year <input type="text"/> No. <input type="text"/></p> <p>type <input type="text"/> Hz frequency <input type="text"/> min⁻¹ speed <input type="text"/> kW power required <input type="text"/> inlet capacity <input type="text"/> m³/h max. vacuum MAX. VACUUM mbar</p> <p>Made in <input type="checkbox"/> Germany</p>
			<p>MAX.</p>
<p><input checked="" type="checkbox"/> AIR</p>		<p>DIN EN ISO 3744</p>	<p>$L_{pA} = 73 \text{ dB(A)} - 50\text{Hz}$ $L_{pA} = 76 \text{ dB(A)} - 60\text{Hz}$ $K_{pA} = 3 \text{ dB(A)}$</p>

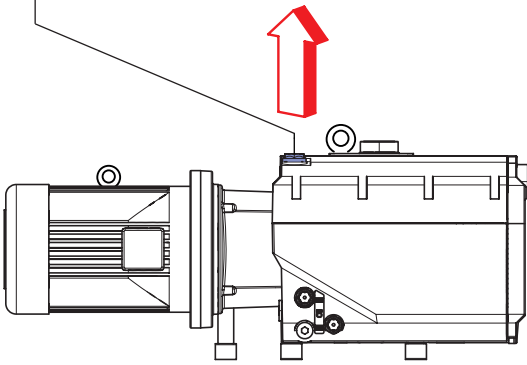
<p>163 kg 359.5 lbs</p>	<p>90°</p>	<p>$A > 100\text{mm}$ $A > 4"$</p>	<p>$> 5^\circ\text{C}/41^\circ\text{F}$ $< 40^\circ\text{C}/104^\circ\text{F}$</p>	<p>max. 90%</p>	<p>max. 800m</p>
<p>1</p>		<p>2</p>			

28100026400 11/13

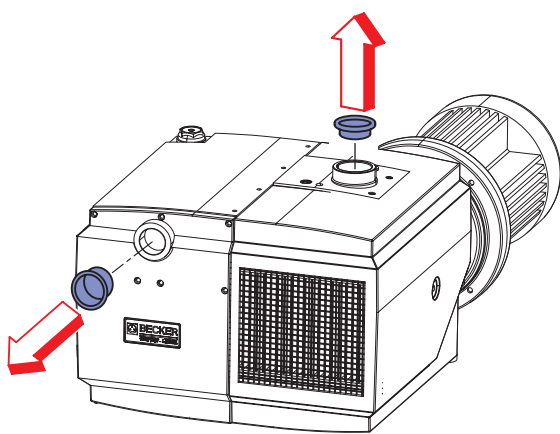

7,0 Liter

Becker Lube M 100 (Mineral oil)
▷ No.: 96000900000 (1)
▷ No.: 96000900200 (5)
Becker Lube S 100 (Synthetic oil)
▷ No.: 96001600100 (1)
▷ No.: 96001600200 (5)
Becker Lube SL 100 Food
▷ No.: 96002300100 (1)
▷ No.: 96002300200 (5)




MAX

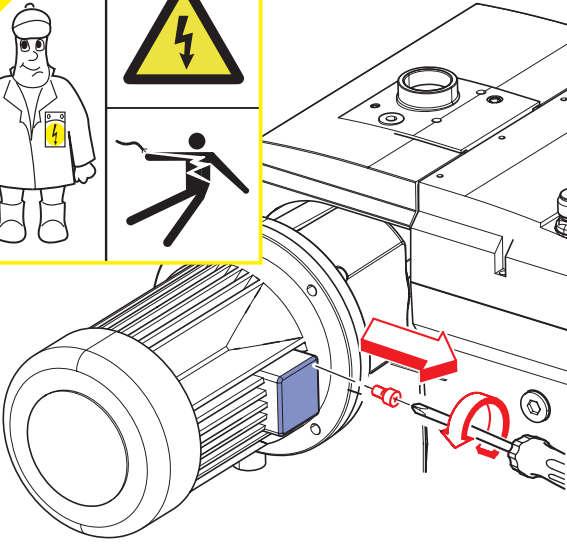


3





4

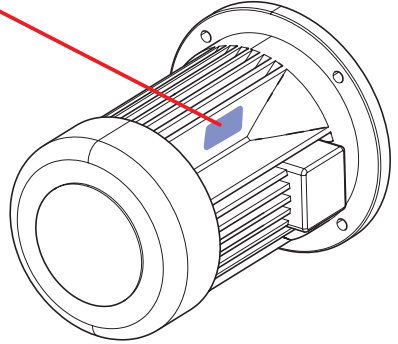






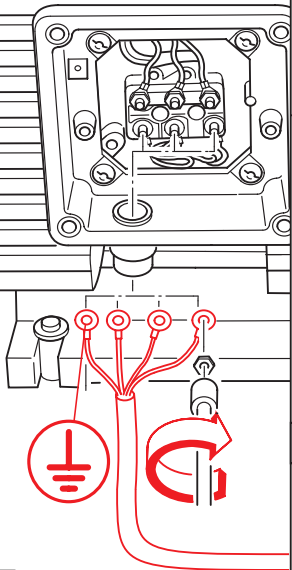
5



BECKER		Mat.Nr. XXXXXX	ENXXXX	
NoUp. XXXXXX		3~Mot. XXXXXXXX	xx	
50 Hz	XXKW	60 Hz	XXKW	
XXX-XXX / XXX-XXX V Δ / Y		XXX-XXX / XXX-XXX V Δ / Y		
XX-XX / XX-XX A		XX-XX / XX-XX A		
cos φ 0,XX-0,XX		cos φ 0,XX-0,XX		
XXXX-XXXX /min		XXXX-XXXX /min		XX kg



6



L1 L2 L3


L1 L2 L3

U1 V1 W1


M
3~

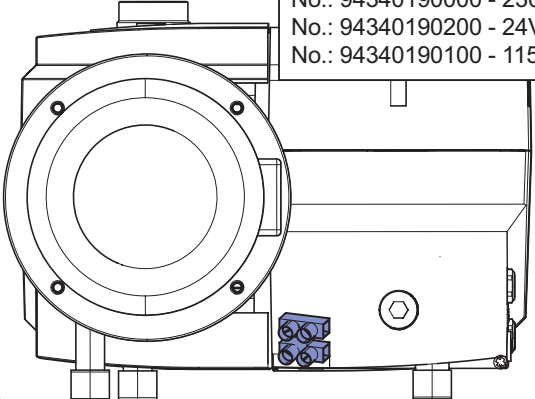
OPTIONAL

PTC **Bi-metal** **Softstart**

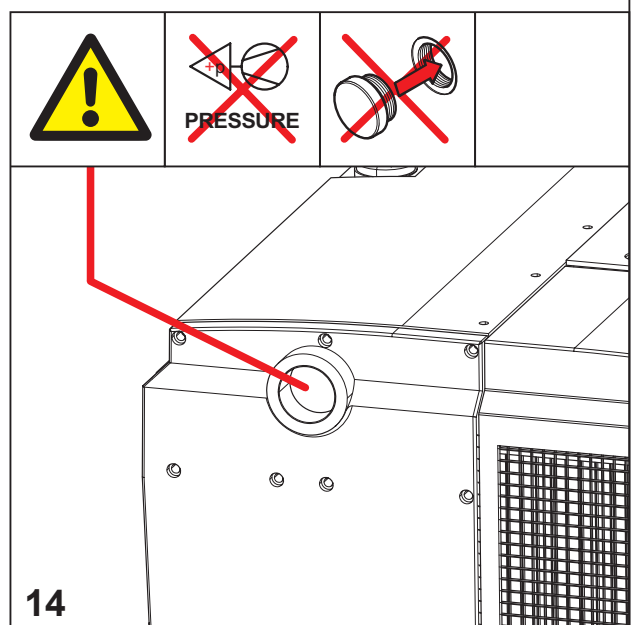
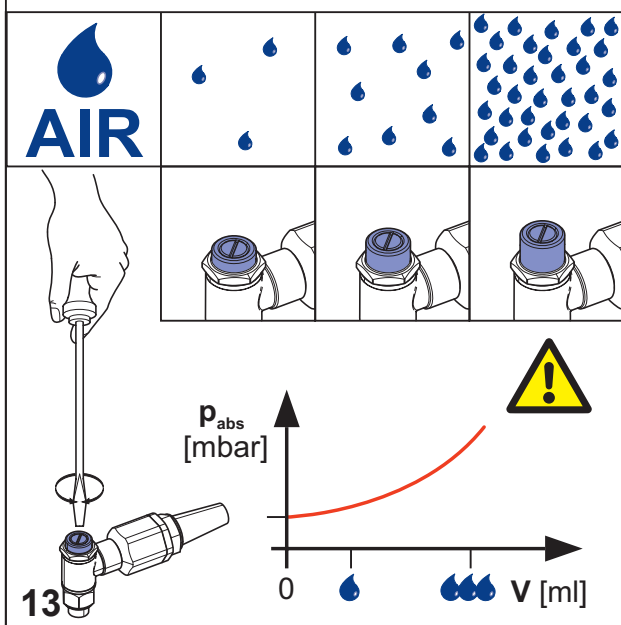
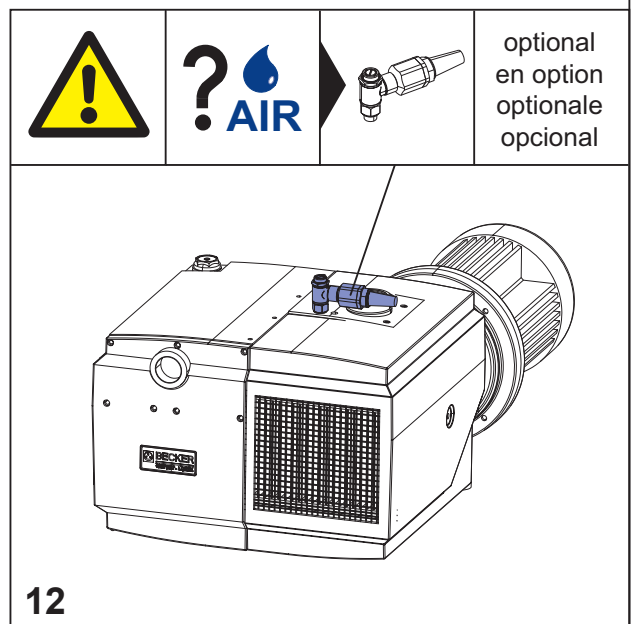
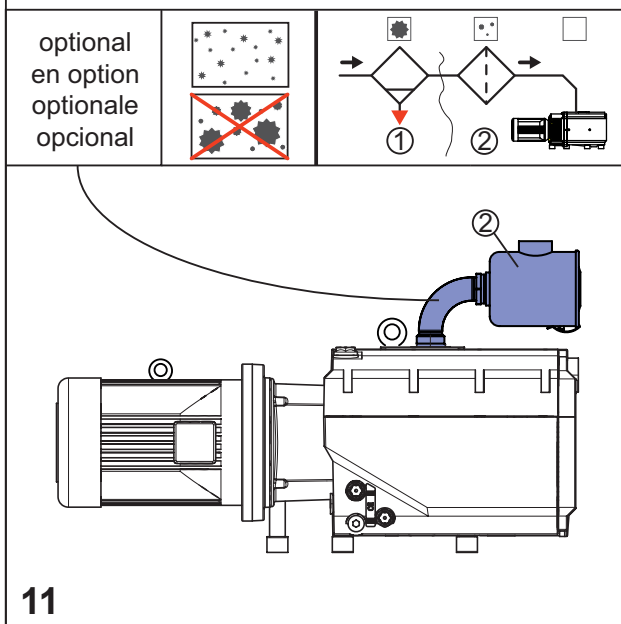
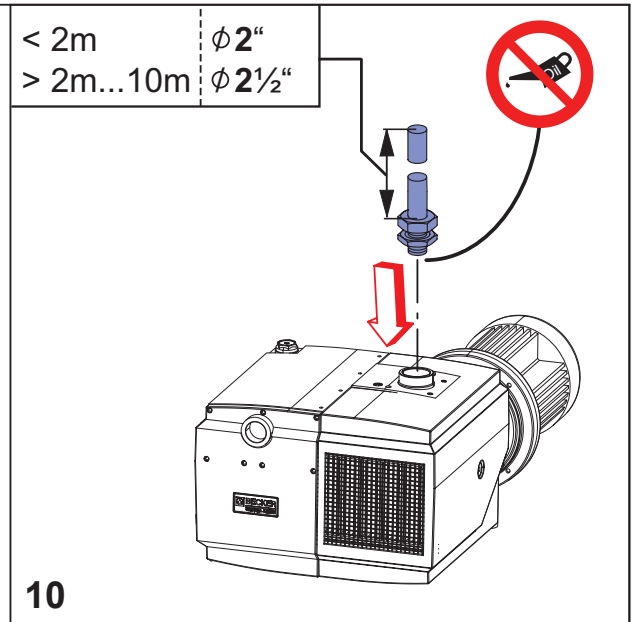
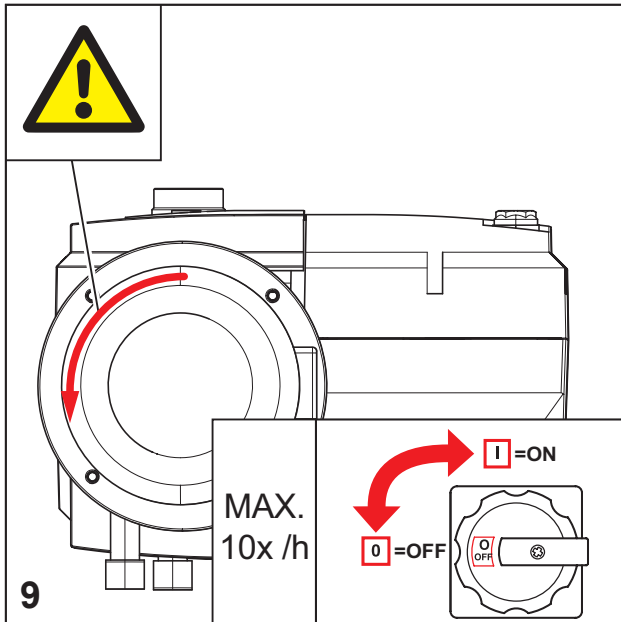


7

Pt 100		optional en option optionale opcional	
T_{MAX}			
		No.: 94340190000 - 230V No.: 94340190200 - 24VDC No.: 94340190100 - 115V	



8



A.

B.

C.

40 h

D.

E.

1. = 100 h
2. = 1.000 h
3. = 2.000 h
... (min. 2x/a)

F.

Becker Lube **M 100** (Mineral oil)
▷ No.: 96000900000 (1)
▷ No.: 96000900200 (5)
Becker Lube **S 100** (Synthetic oil)
▷ No.: 96001600100 (1)
▷ No.: 96001600200 (5)
Becker Lube **SL 100 Food**
▷ No.: 96002300100 (1)
▷ No.: 96002300200 (5)

7,0 Liter

MAX

40 - 200 h **AIR ?**

G.

1000 h

1. 2.

H.

2000 h

5

I.

T [°C]

T_{fl} 130°C

T_{MAX} 110°C

t [h]

STOP

Pos. 83

1. 2.

J.

2x Pos. 83
No.: 9654150000

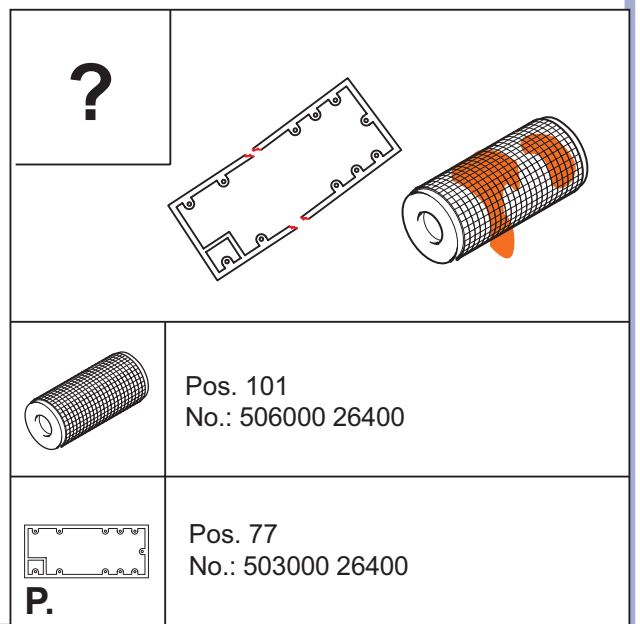
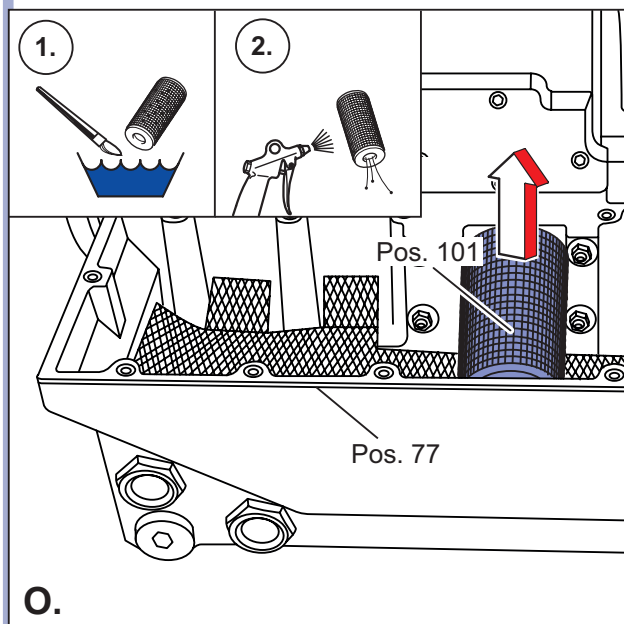
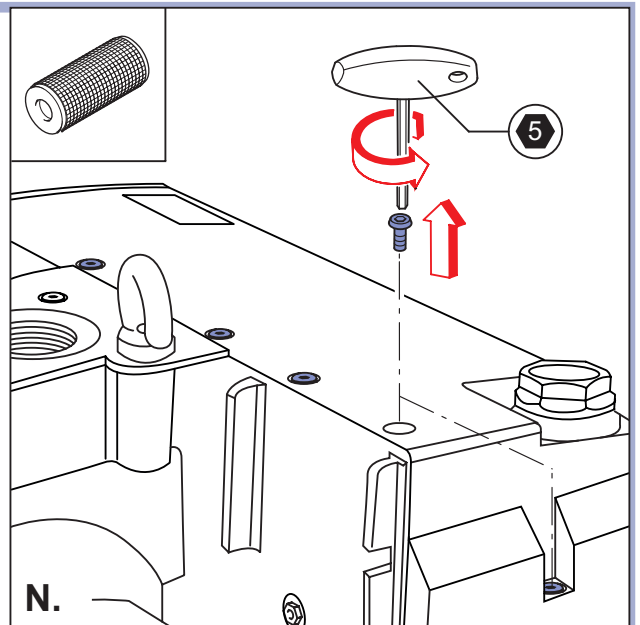
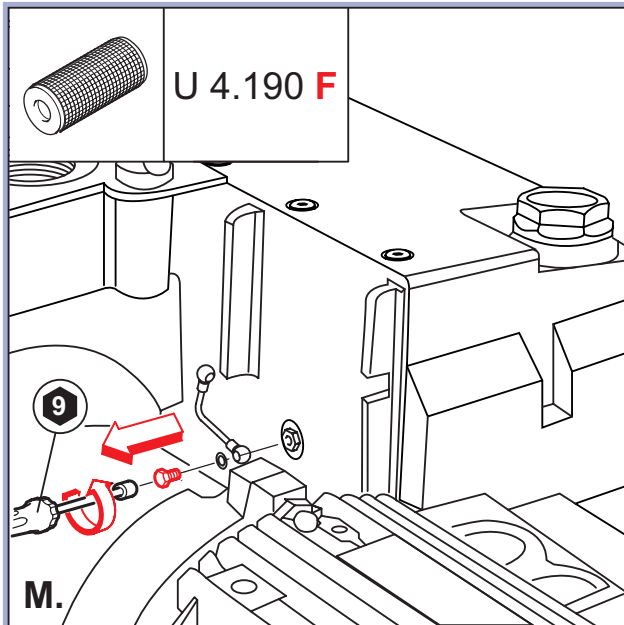
K.

5000 h

1. 2.

13

L.



Gebr. Becker GmbH
Hölker Feld 29-31
D-42279 Wuppertal
info@becker-international.com

SERVICE
www.becker-international.com
Sales and service network