

Betriebsanleitung
 Operating Instructions
 Instructions de service
 Istruzioni d'uso
 Handleiding
 Instrucciones para el manejo
 Manual de instruções
 Naudojimosi instrukcija
 Kasutusjuhend
 Lietošanas instrukcija
 Driftsinstruks
 Driftsinstruktioner
 Käyttöohje
 Driftsvejledning
 Instrukcja obsługi

Kezelési útmutató
 Návod k obsluze
 Navodilo za uporabo
 Návod na obsluhu
 Upute za rad
 Manual de operatii
 Treoracha Oibriúcháin
 Οδηγίες χρήσης
 Kullanım Kilavuzu
 Инструкции за експлоатация
 Инструкция по эксплуатации
 取扱説明書
 사용설명서
 使用说明书

U 4.20


2006/42/EG




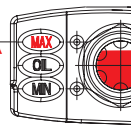
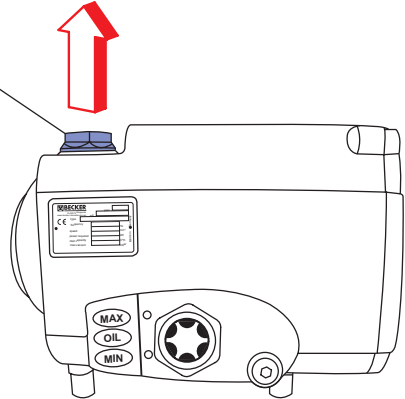
DIN EN ISO 9001
 001929 QM
 DIN EN ISO 14001:2015

	<p>Becker Lube ▷ 0,5 Liter</p>		<p>MAX. VACUUM</p>		<p>mbar</p>
	<p>AIR</p>				
			<p>DIN EN ISO 3744</p> <p>STANDARD</p>	<p> $L_{pA} = 63 \text{ dB(A)} - 50\text{Hz}$ $L_{pA} = 67 \text{ dB(A)} - 60\text{Hz}$ $K_{pA} = 3 \text{ dB(A)}$ </p>	

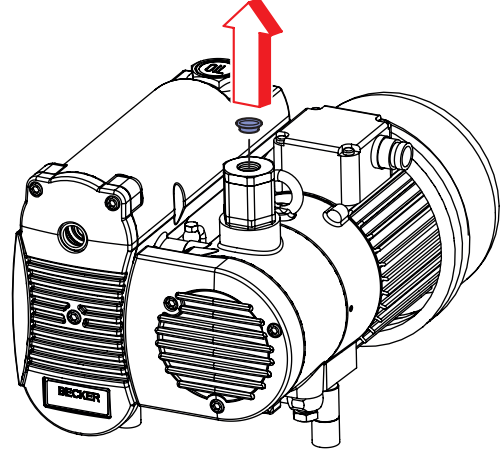
	<p> $A > 100\text{mm}$ $A > 4"$ </p>	<p> $> 5^\circ\text{C}/41^\circ\text{F}$ $< 40^\circ\text{C}/104^\circ\text{F}$ </p>	<p>max. 90%</p>	<p>max. 800m</p>
<p>1</p> <p>20,0 kg 44,1 lbs</p>	<p>2</p>			

 **Becker Lube M 100 (Mineral oil)**
 ▷ No.: 96000900000 (1l)
Becker Lube (U 4.20/0-53/special)
 ▷ No.: 76005000000 (1l)
Becker Lube S 100 (Synthetic oil)
 ▷ No.: 96001600100 (1l)
Becker Lube SL 100 Food
 ▷ No.: 96002300100 (1l)




 **0,5 Liter**

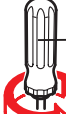



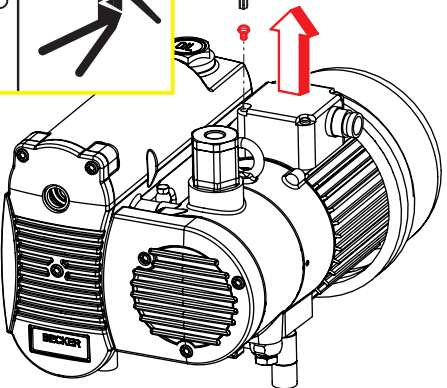
3





4


  

 **T20**



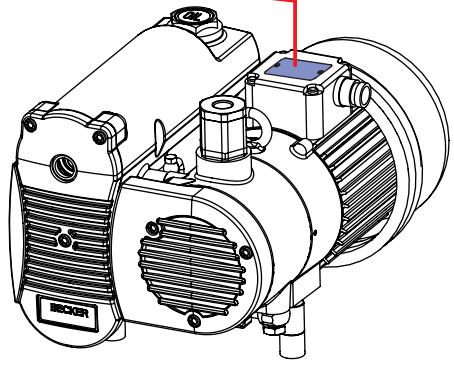
5

BECKER Mat.Nr. XXXXXX ENXXXX 
 3~Mot. XXXXXXXX
 NoUp. XXXXXX xx

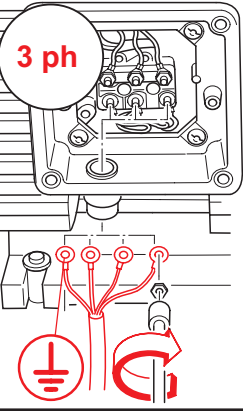
50 Hz	XXKW	60 Hz	XXKW
XXX-XXX / XXX-XXX V Δ / Y		XXX-XXX / XXX-XXX V Δ / Y	
XX-XX / XX-XX A		XX-XX / XX-XX A	
cos φ 0,XX-0,XX		cos φ 0,XX-0,XX	
XXXX-XXXX /min		XXXX-XXXX /min	


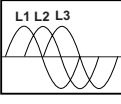
XX kg



6

3 ph



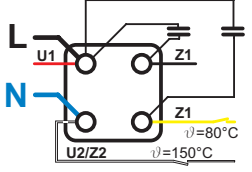
  L1 L2 L3

L1 L2 L3

U1 V1 W1

M 3~

1 ph



L N


U1 Z1

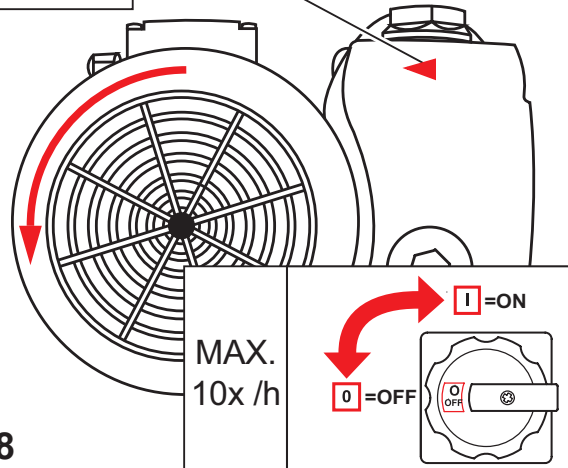
U2/Z2

$\eta=80^{\circ}\text{C}$

$\eta=150^{\circ}\text{C}$

7



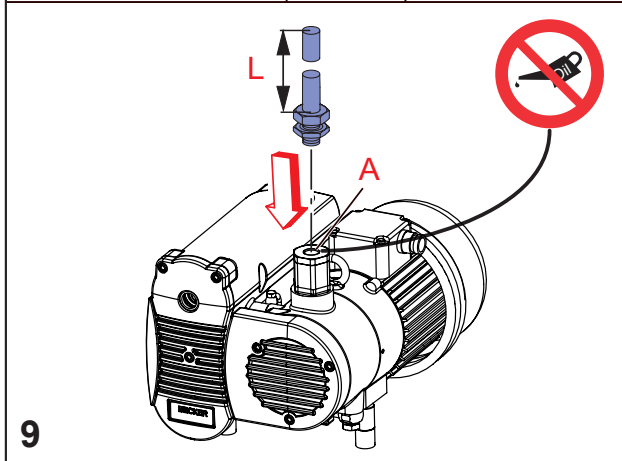


MAX. 10x /h

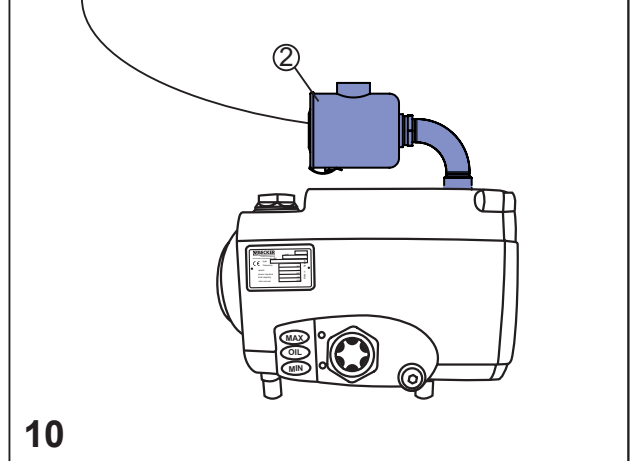
0 = OFF **I = ON**

8

Ø A	L < 2m	L > 2m...10m
U 4.20 - Standard	1/2"	3/4"
U 4.20/0-53 + 53.1	1/4"	3/8"
U 4.20/0-53.2	3/8"	1/2"

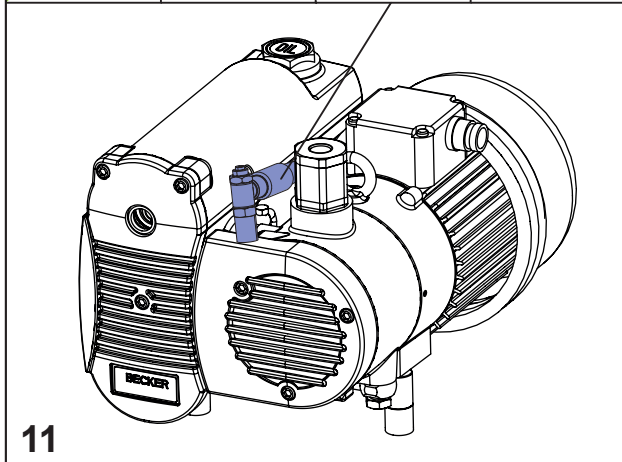


optional
en option
opcionale
opcional



optional
en option
opcionale
opcional

U 4.20/09

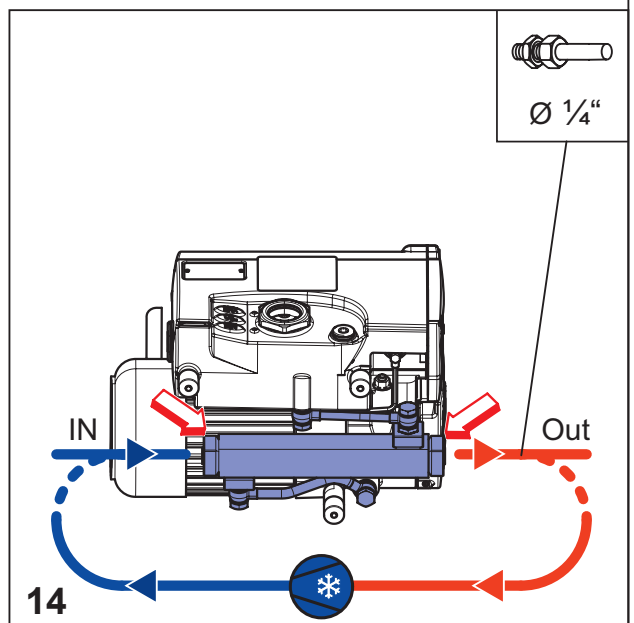
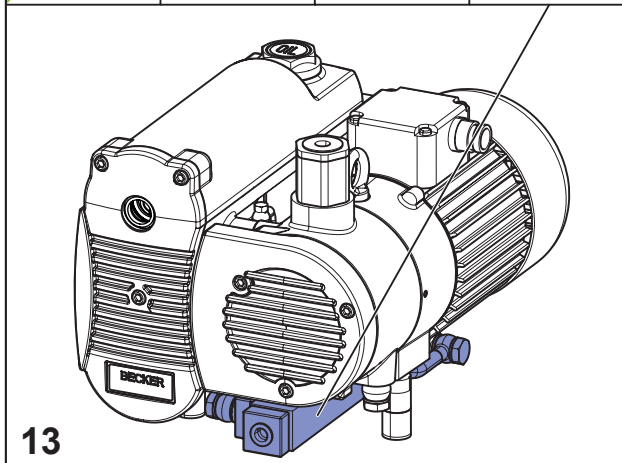


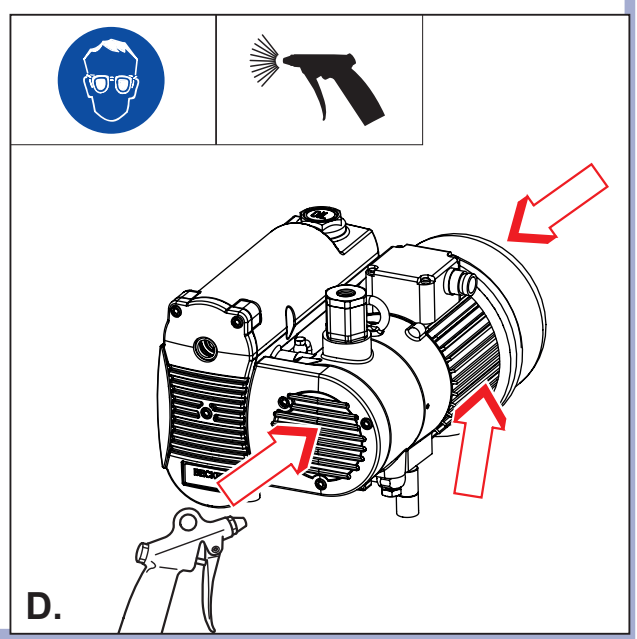
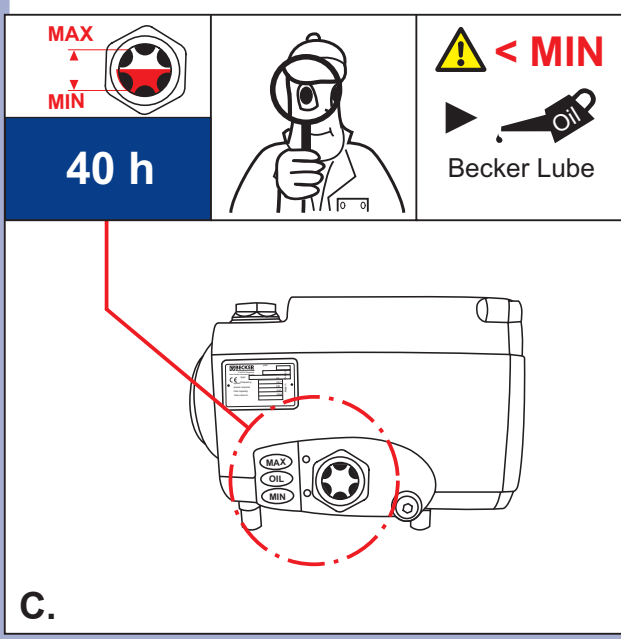
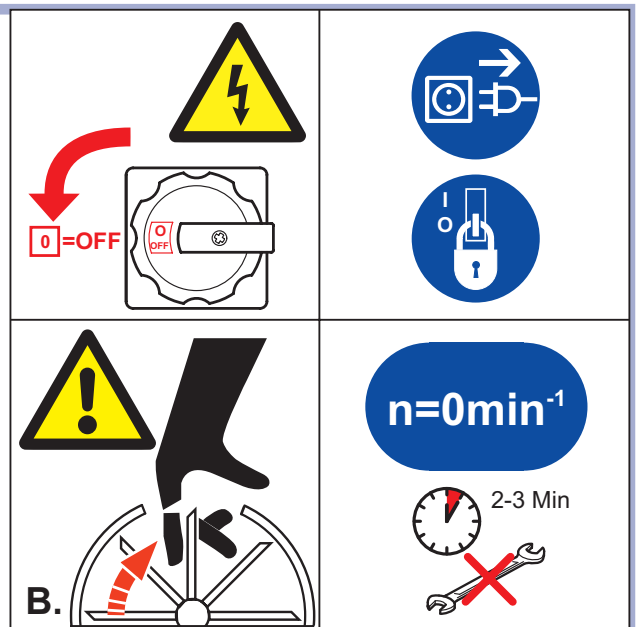
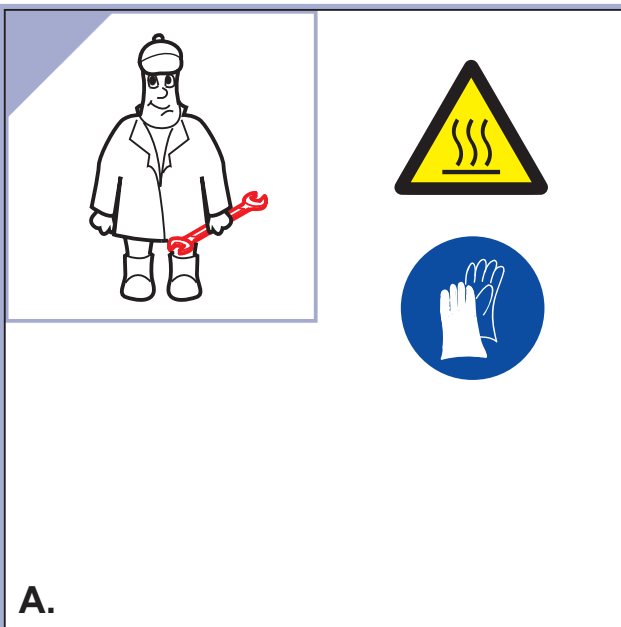
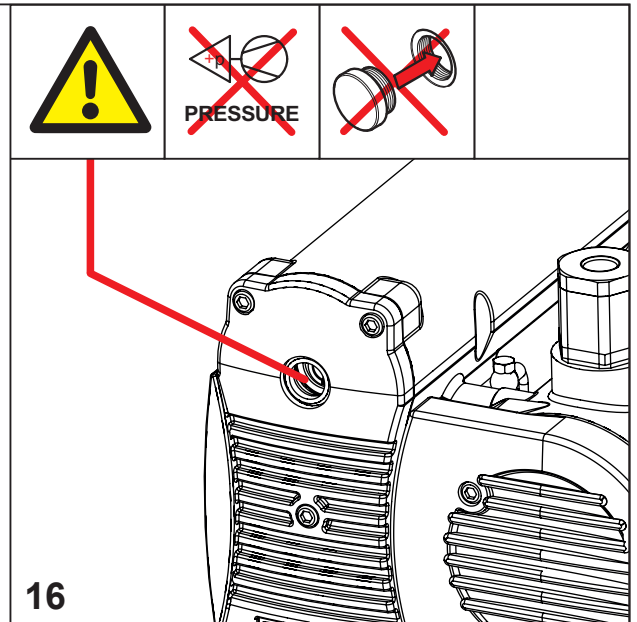
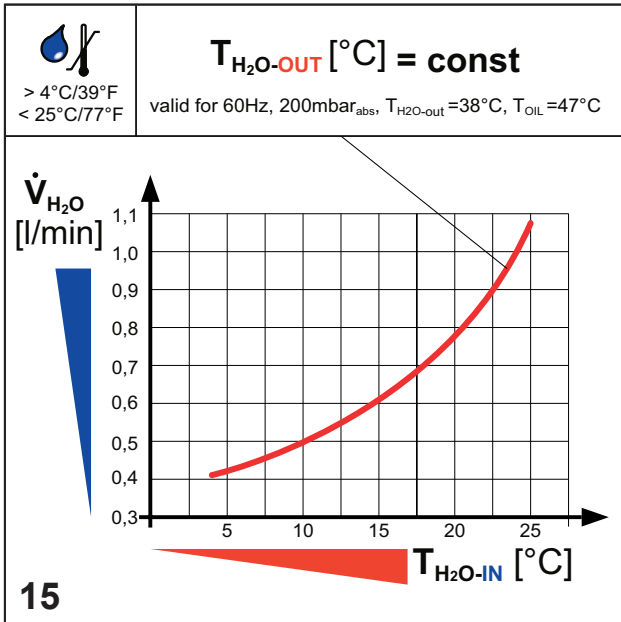
AIR


12

optional
en option
opcionale
opcional


U 4.20/0-53.X

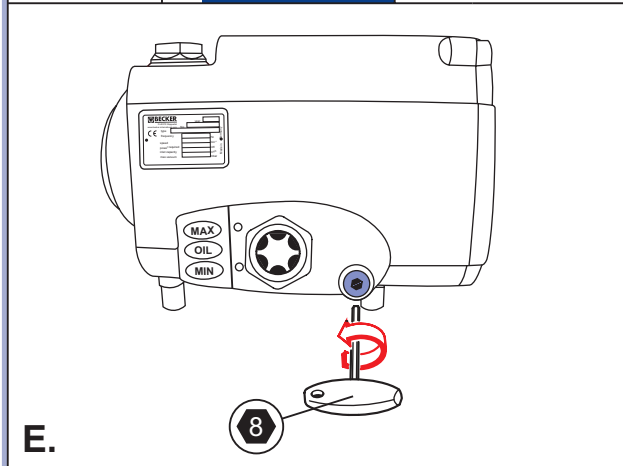





 **Oil**

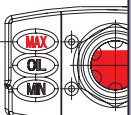
1. = 100 h
2. = 500 h
3. = 1.000 h
... (min. 2x/a)

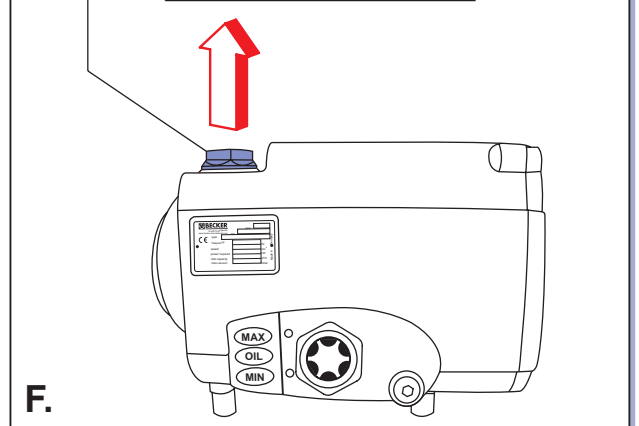





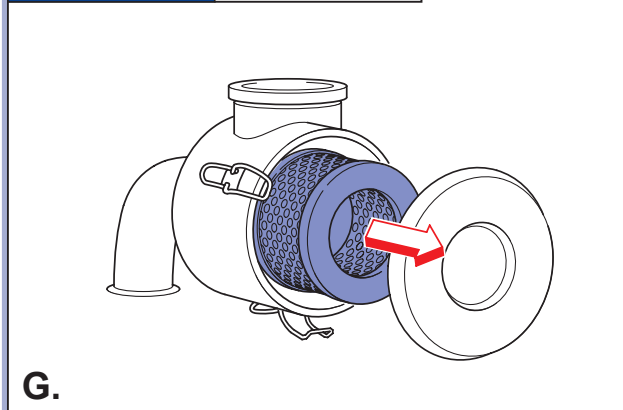
 **Oil**
0,5 Liter

Becker Lube **M 100** (Mineral oil)
▷ No.: 96000900000 (1l)
Becker Lube (U 4.20/0-53/special)
▷ No.: 76005000000 (1l)
Becker Lube **S 100** (Synthetic oil)
▷ No.: 96001600100 (1l)
Becker Lube **SL 100 Food**
▷ No.: 96002300100 (1l)



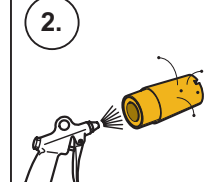


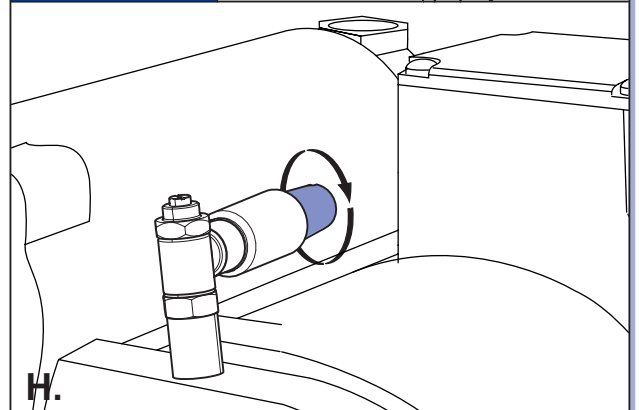
 **40 - 200 h** **AIR ?**



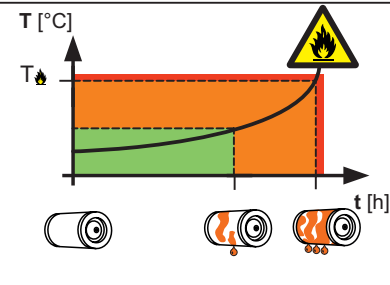
1000 h

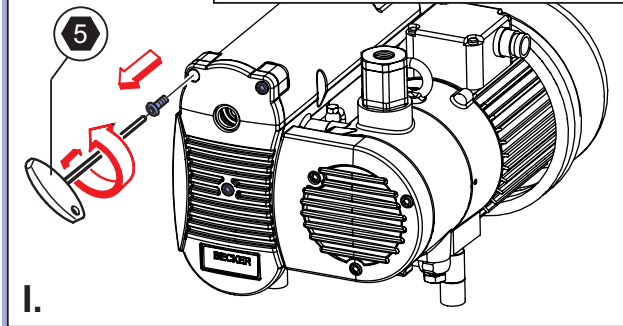
1. 

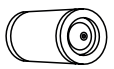
2. 




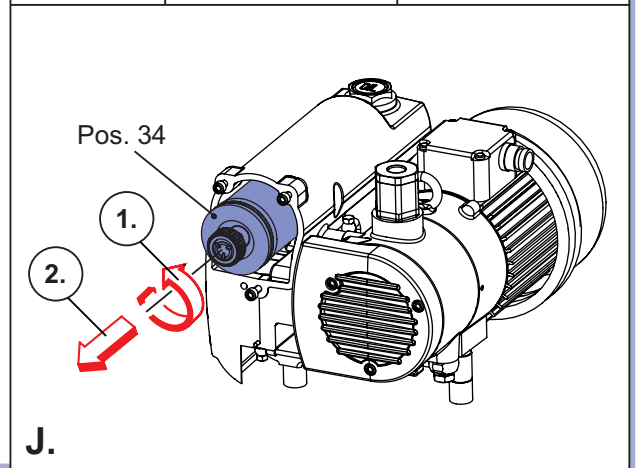
2000 h

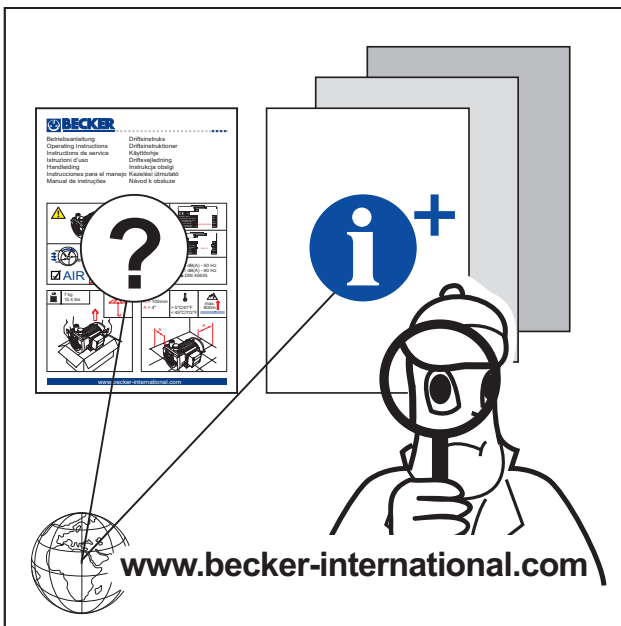
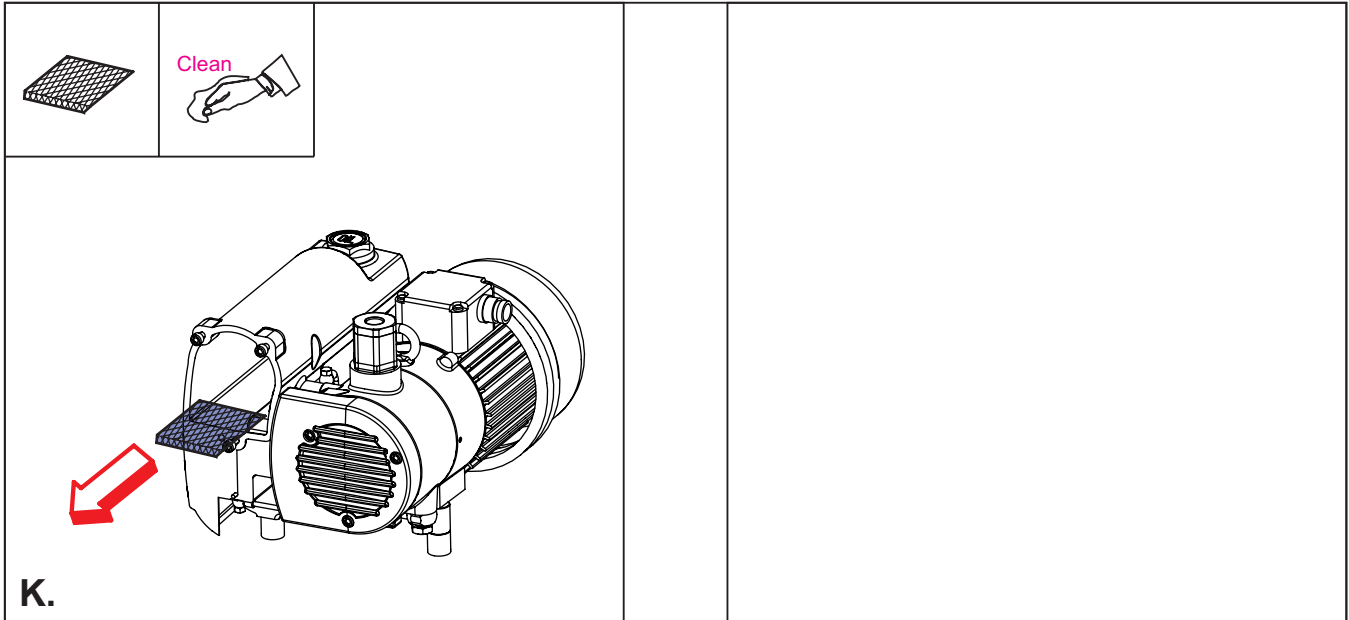




 **Pos. 34**
No.: 96541300000







Gebr. Becker GmbH
 Hölker Feld 29-31
 D-42279 Wuppertal
info@becker-international.com

