

Betriebsanleitung  
 Operating Instructions  
 Instructions de service  
 Istruzioni d'uso  
 Handleiding  
 Instrucciones para el manejo  
 Manual de instruções  
 Naudojimosi instrukcija  
 Kasutusjuhend  
 Lietošanas instrukcija  
 Driftsinstruks  
 Driftsinstruktioner  
 Käyttöohje  
 Driftsvejledning  
 Instrukcja obsługi

Kezelési útmutató  
 Návod k obsluze  
 Navodilo za uporabo  
 Návod na obsluhu  
 Upute za rad  
 Manual de operatii  
 Treoracha Oibriúcháin  
 Οδηγίες χρήσης  
 El Kitabi  
 Инструкции за експлоатация  
 Инструкция по эксплуатации  
 取扱説明書  
 사용설명서  
 使用说明书

U 4.250

2006/42/EG



DIN EN ISO 14001:2005


DIN EN ISO 9001

001929 QM

|                   |   |                            |  |
|-------------------|---|----------------------------|--|
|                   | <p>Becker Lube<br/>M/S/SL 100<br/>▷ 7,0 Liter</p> | <p><b>MAX. VACUUM</b></p>  | <p><b>BECKER</b><br/>D-42279 Wuppertal<br/>www.becker-international.com</p> <p>type _____ year _____<br/>No. _____</p> <p>frequency _____ Hz<br/>speed _____ min<sup>-1</sup><br/>power required _____ kW<br/>inlet capacity _____ m<sup>3</sup>/h<br/>max. vacuum <b>MAX. VACUUM</b> mbar</p> |
|                   |   |                            | <p><b>MAX.</b></p>   |
| <p><b>AIR</b></p> |   | <p>DIN EN<br/>ISO 3744</p> | <p><math>L_{pA} = 73 \text{ dB(A)} - 50\text{Hz}</math><br/> <math>L_{pA} = 76 \text{ dB(A)} - 60\text{Hz}</math><br/> <math>K_{pA} = 3 \text{ dB(A)}</math></p>   |

|                             |            |   |  |                 |                  |
|-----------------------------|------------|---|--|-----------------|------------------|
| <p>178 kg<br/>392.5 lbs</p> | <p>90°</p> | <p><math>A &gt; 100\text{mm}</math><br/> <math>A &gt; 4"</math></p> | <p>&gt; 5°C/41°F<br/>&lt; 40°C/104°F</p> | <p>max. 90%</p> | <p>max. 800m</p> |
| <p>1</p>                    |            | <p>2</p>  |  |                 |                  |


28100026500 11/13

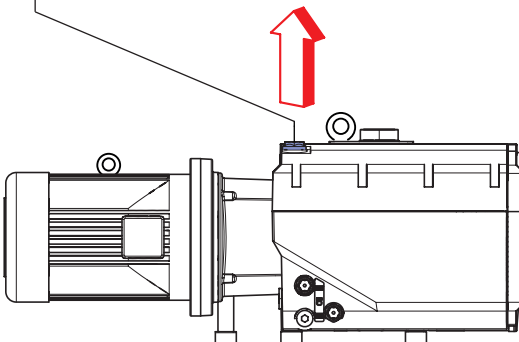


**7,0 Liter**

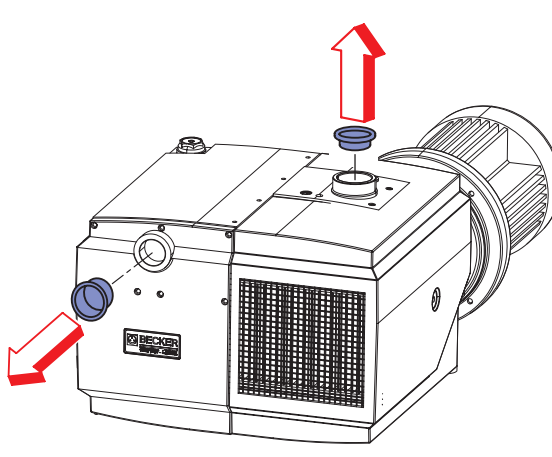
Becker Lube **M 100** (Mineral oil)  
 ▷ No.: 96000900000 (1)  
 ▷ No.: 96000900200 (5)  
 Becker Lube **S 100** (Synthetic oil)  
 ▶ U4.250SA/K-65  
 ▷ No.: 96001600100 (1)  
 ▷ No.: 96001600200 (5)  
 Becker Lube **SL 100 Food**  
 ▷ No.: 96002300100 (1)  
 ▷ No.: 96002300200 (5)

**MAX**







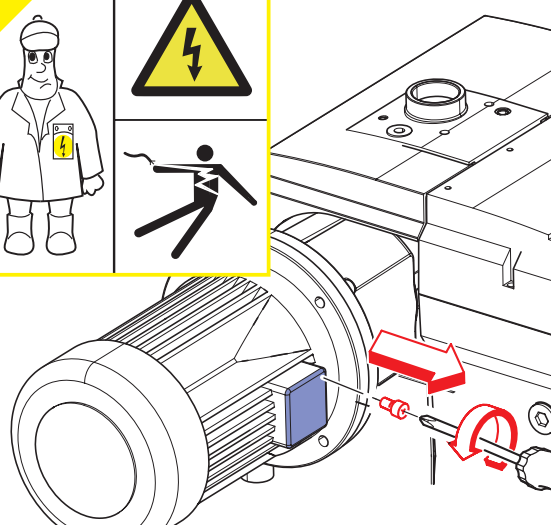
**3**




**4**




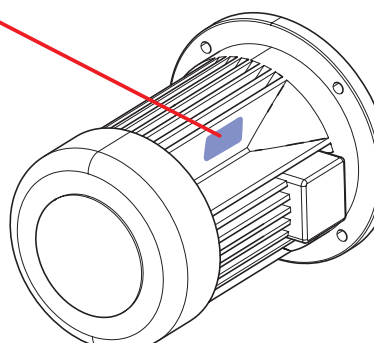




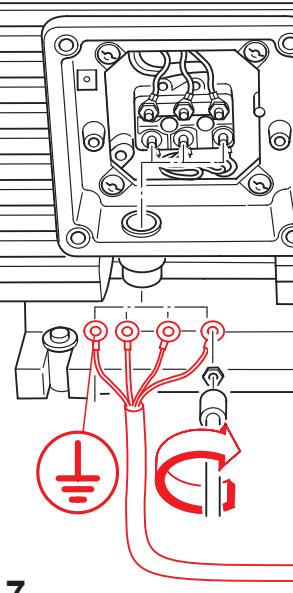
**5**



|                           |              |                           |              |   |
|---------------------------|--------------|---------------------------|--------------|---|
| <b>BECKER</b>             |              | Mat.Nr. XXXXXX            | ENXXXX       |  |
| NoUp. XXXXXX              |              | 3~Mot. XXXXXXXX           |              |   |
| <input type="radio"/>     | <b>50 Hz</b> | XXKW                      | <b>60 Hz</b> | XXKW  |
| XXX-XXX / XXX-XXX V Δ / Y |              | XXX-XXX / XXX-XXX V Δ / Y |              |   |
| XX-XX / XX-XX A           |              | XX-XX / XX-XX A           |              |   |
| cos φ 0,XX-0,XX           |              | cos φ 0,XX-0,XX           |              |   |
| XXXX-XXXX /min            |              | XXXX-XXXX /min            |              |   |
|                           |              |                           |              | XX kg   |

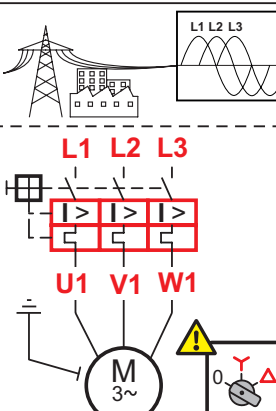


**6**

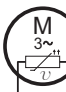


**7**


L1 L2 L3




**OPTIONAL**





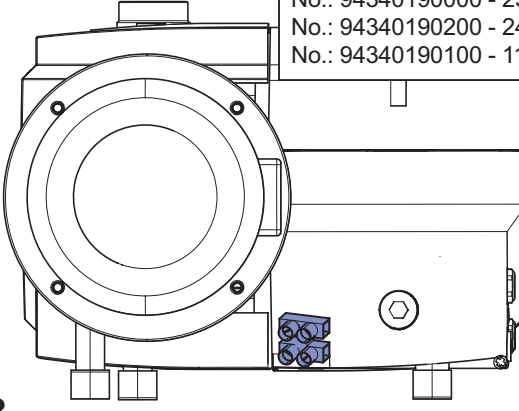
PTC

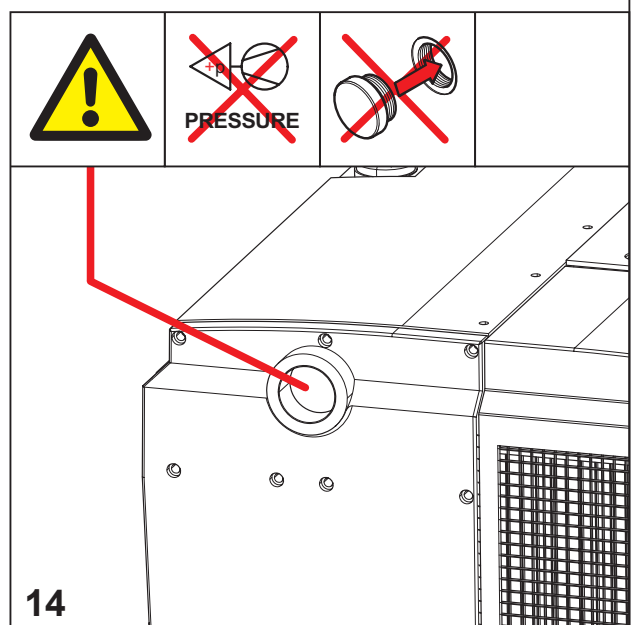
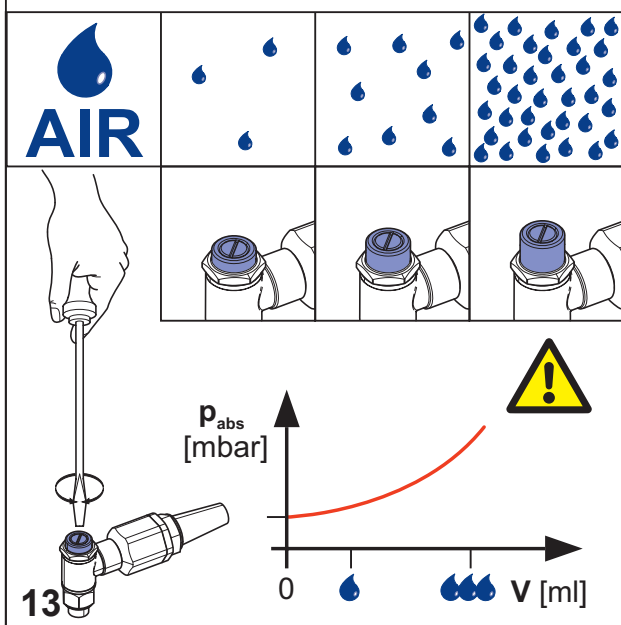
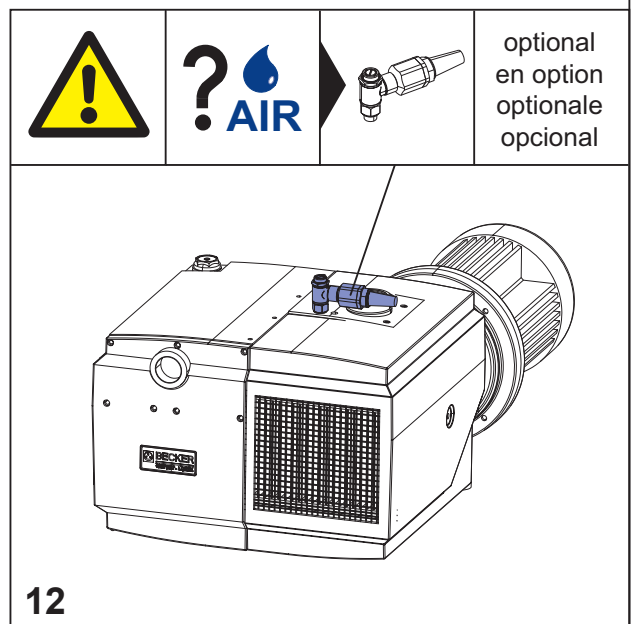
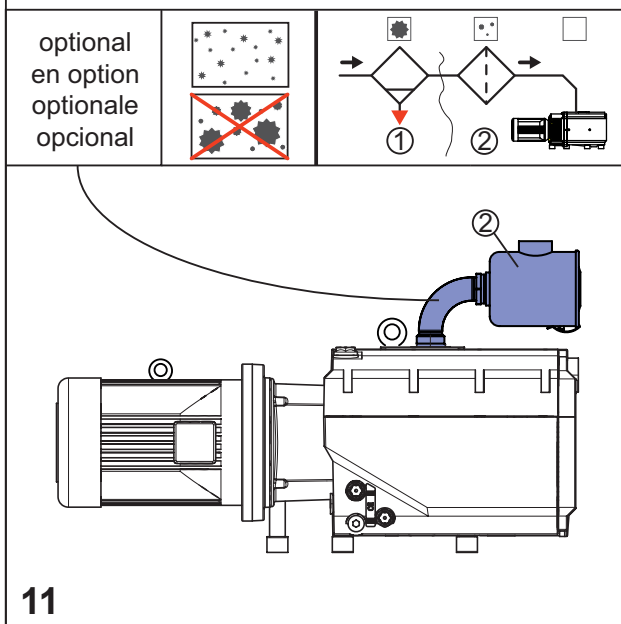
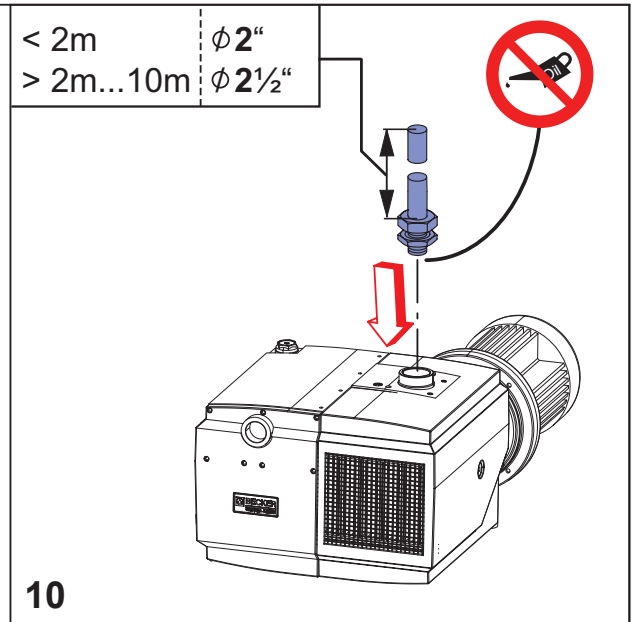
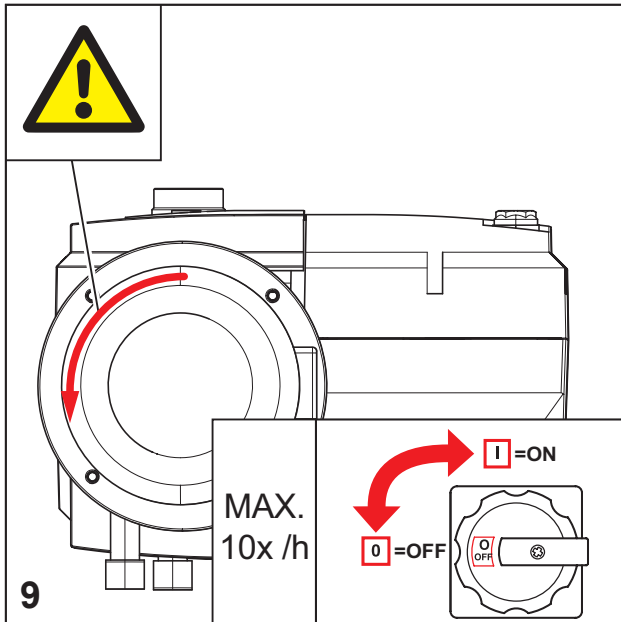


Bi-metal



Softstart

|  |  |  |   |
|--|--|--|---|
| <b>Pt 100</b>  |  | optional<br>en option<br>optionale<br>opcional                                 |  |
|                  |  |  |   |
|  <p><b>8</b></p> |  | No.: 94340190000 - 230V<br>No.: 94340190200 - 24VDC<br>No.: 94340190100 - 115V |   |



**A.**

**B.**

**C.**

**D.**

**E.**

**F.**

Becker Lube **M 100** (Mineral oil)  
 ▷ No.: 96000900000 (1l)  
 ▷ No.: 96000900200 (5l)  
 Becker Lube **S 100** (Synthetic oil)  
 ▶ U4.250SA/K-65  
 ▷ No.: 96001600100 (1l)  
 ▷ No.: 96001600200 (5l)  
 Becker Lube **SL 100 Food**  
 ▷ No.: 96002300100 (1l)  
 ▷ No.: 96002300200 (5l)

7,0 Liter

**MAX**

**E.**

1. = 100 h  
 2. = 1.000 h  
 3. = 2.000 h  
 ... (min. 2x/a)

Oil

40 - 200 h **AIR ?**

**G.**

1000 h

1. 2.

**H.**

2000 h

5

**I.**

T [°C]

T<sub>fl</sub> 130°C

T<sub>MAX</sub> 110°C

t [h]

STOP

Pos. 83

1. 2.

**J.**

2x Pos. 83  
No.: 965415 00000 (STANDARD)  
No.: 965417 00000 (U 4.250SA/K-65)

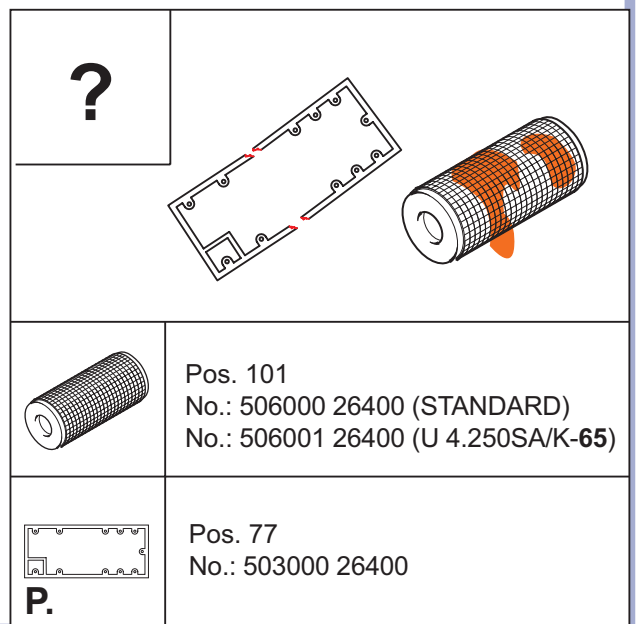
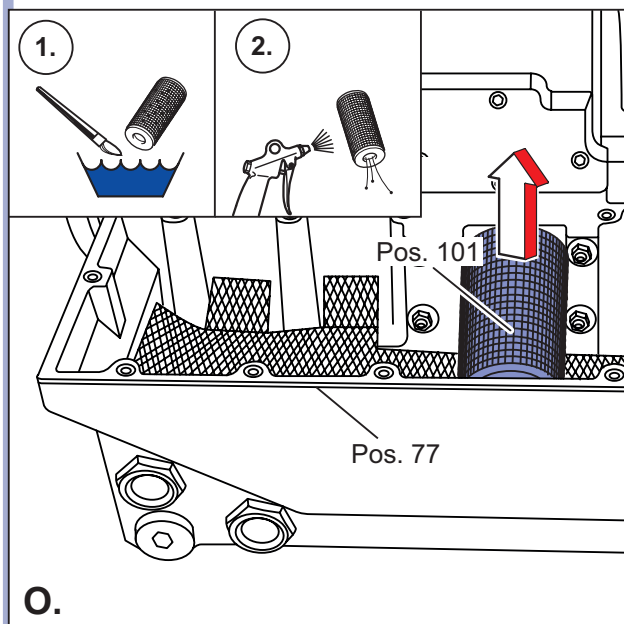
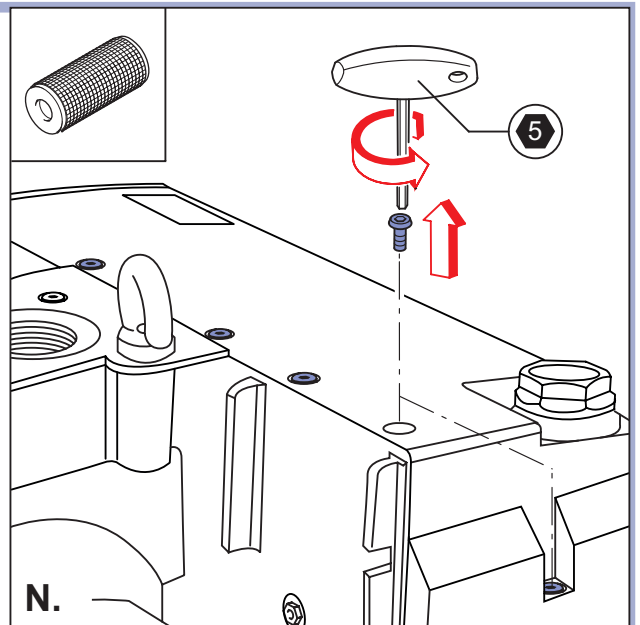
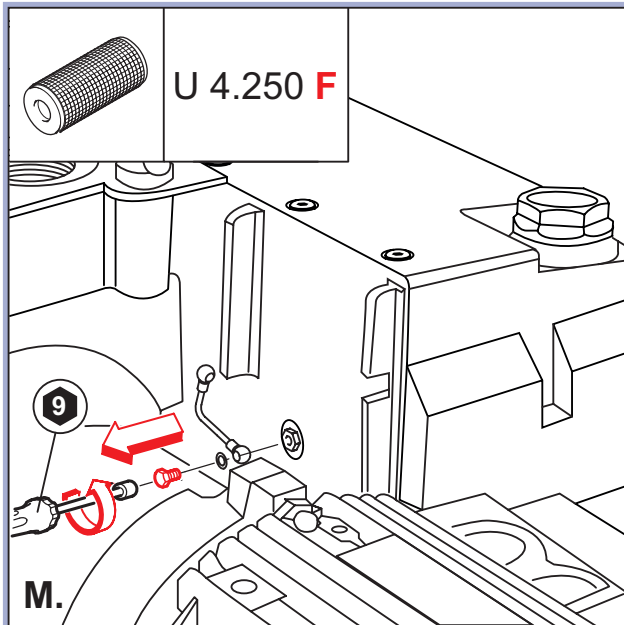
**K.**

5000 h

1. 2.

13

**L.**



**BECKER**

Gebr. Becker GmbH  
Hölker Feld 29-31  
D-42279 Wuppertal  
info@becker-international.com

**SERVICE**  
www.becker-international.com  
Sales and service network