

Betriebsanleitung
 Operating Instructions
 Instructions de service
 Istruzioni d'uso
 Handleiding
 Instrucciones para el manejo
 Manual de instruções
 Naudojimosi instrukcija
 Kasutusjuhend
 Lietošanas instrukcija
 Driftsinstruks
 Driftsinstruktioner
 Käyttöohje
 Driftsvejledning
 Instrukcja obsługi

Kezelési útmutató
 Návod k obsluze
 Navodilo za uporabo
 Návod na obsluhu
 Upute za rad
 Manual de operatii
 Treoracha Oibriúcháin
 Οδηγίες χρήσης
 El Kitabi
 Инструкции за експлоатация
 Инструкция по эксплуатации
 取扱説明書
 사용설명서
 使用说明书

U 4.300

2006/42/EG




DIN EN ISO 9001
 001929 QM
 DIN EN ISO 14001:2015

	<p>Becker Lube M/S/SL 100 ▷ 7,0 Liter</p>	<p>MAX. VACUUM</p>	<p>BECKER D-42279 Wuppertal www.becker-international.com</p> <p>type _____ No. _____ year _____ frequency _____ Hz speed _____ min⁻¹ power required _____ kW inlet capacity _____ m³/h max. vacuum MAX VACUUM mbar</p>
			<p>MAX.</p>
<p>AIR</p>		<p>DIN EN ISO 3744</p>	<p> $L_{pA} = 74 \text{ dB(A) - 50Hz}$ $L_{pA} = 76 \text{ dB(A) - 60Hz}$ $K_{pA} = 3 \text{ dB(A)}$ </p>

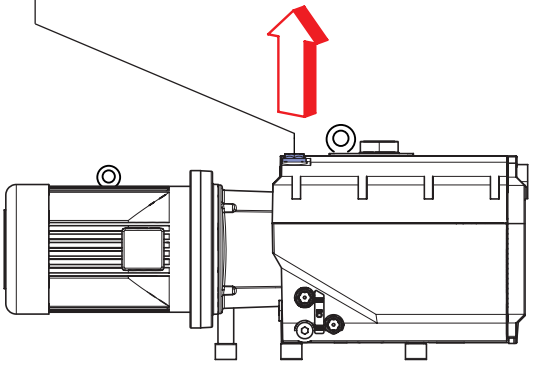
<p> 1 5.5/6.3 kW → 138.5 kg (305 lbs) 2 7.5/8.6 kW → 147.5 kg (325 lbs) </p>	<p> $A > 100\text{mm}$ $A > 4"$ </p>	<p> $> 5^\circ\text{C}/41^\circ\text{F}$ $< 40^\circ\text{C}/104^\circ\text{F}$ </p>	<p> $\text{max. } 90\%$ </p>	<p> $\text{max. } 800\text{m}$ </p>
<p>1</p>	<p>2</p>			

28100026800 07/18

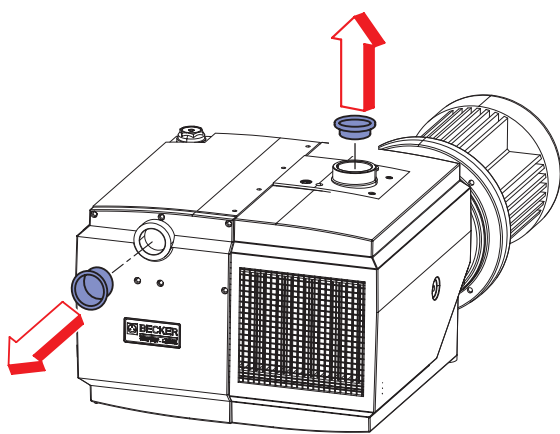

7,0 Liter

Becker Lube M 100 (Mineral oil)
▷ No.: 96000900000 (1)
▷ No.: 96000900200 (5)
Becker Lube S 100 (Synthetic oil)
▷ No.: 96001600100 (1)
▷ No.: 96001600200 (5)
Becker Lube SL 100 Food
▷ No.: 96002300100 (1)
▷ No.: 96002300200 (5)


MAX

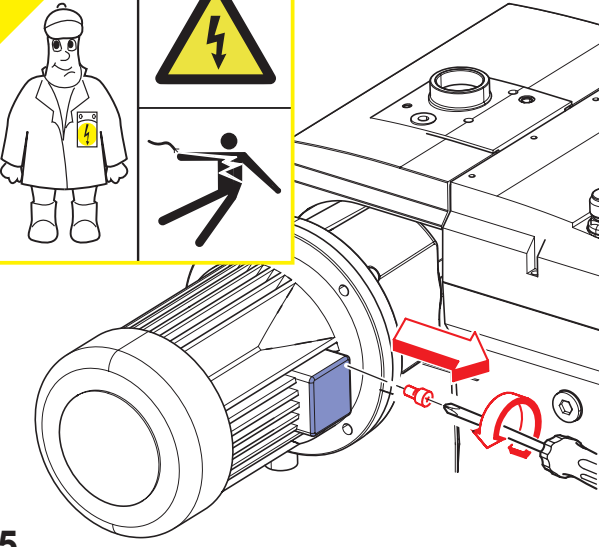


3




4





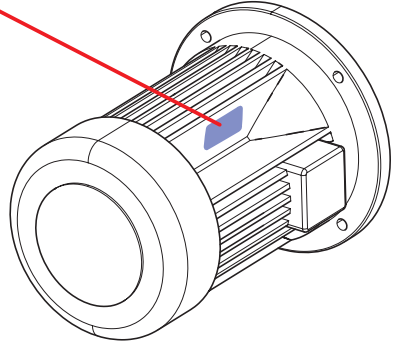
5



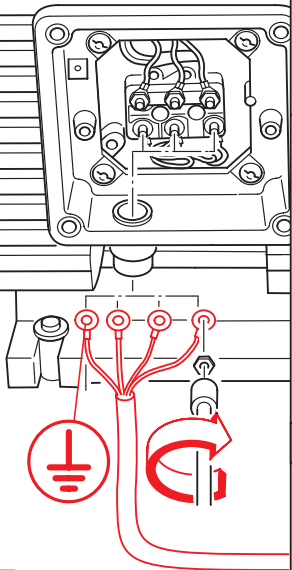
BECKER Mat.Nr. XXXXXX ENXXXX CE
3~Mot. XXXXXXXX

50 Hz	XXKW	60 Hz	XXKW
XXX-XXX / XXX-XXX V Δ / Y		XXX-XXX / XXX-XXX V Δ / Y	
XX-XX / XX-XX A		XX-XX / XX-XX A	
cos φ 0,XX-0,XX		cos φ 0,XX-0,XX	
XXXX-XXXX /min		XXXX-XXXX /min	

XX kg



6



L1 L2 L3

U1 V1 W1

M
3~

OPTIONAL

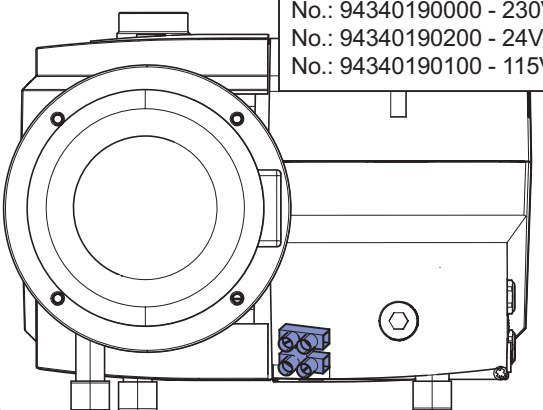
PTC Bi-metal Softstart

7

Pt 100

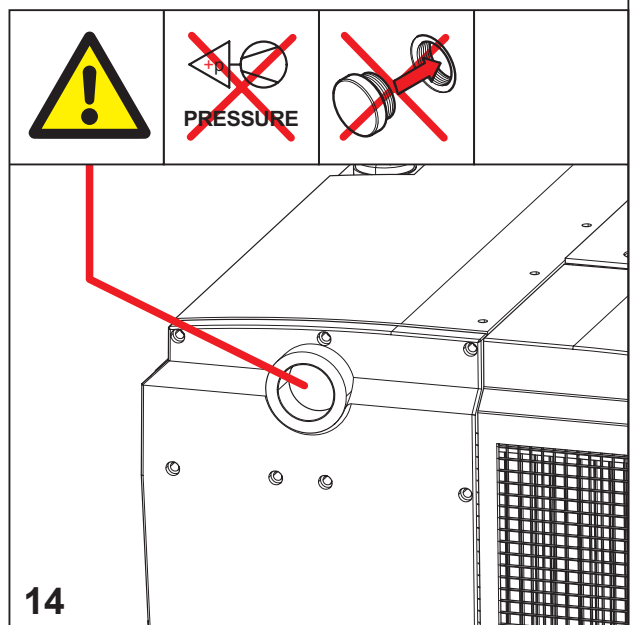
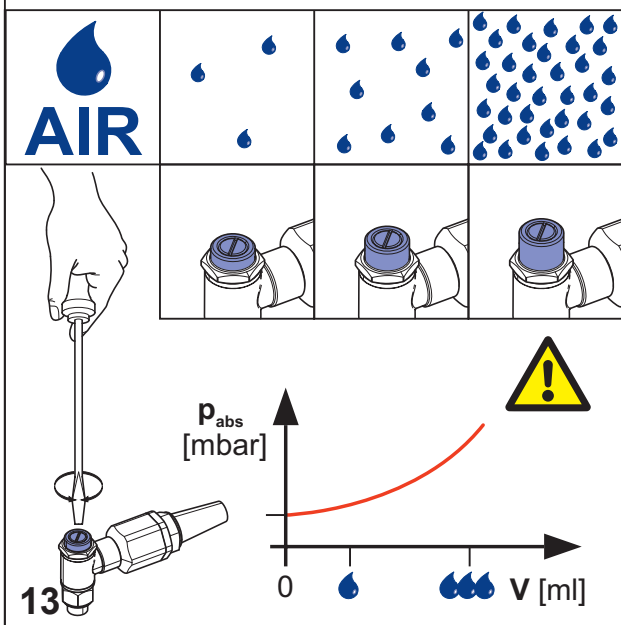
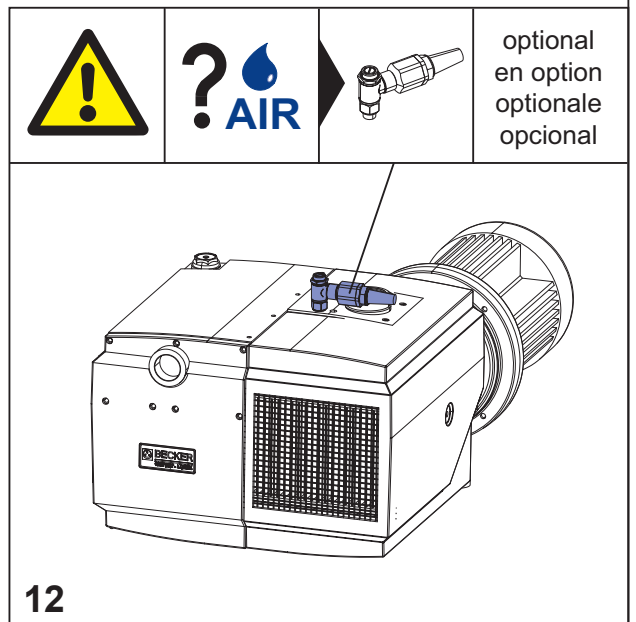
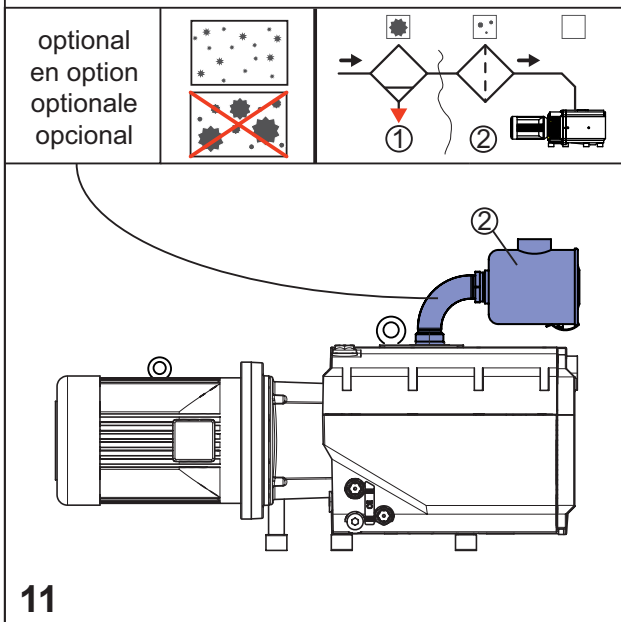
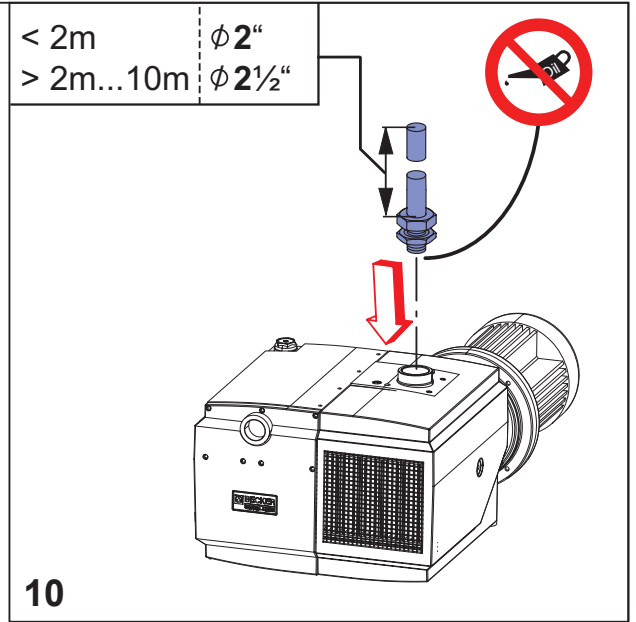
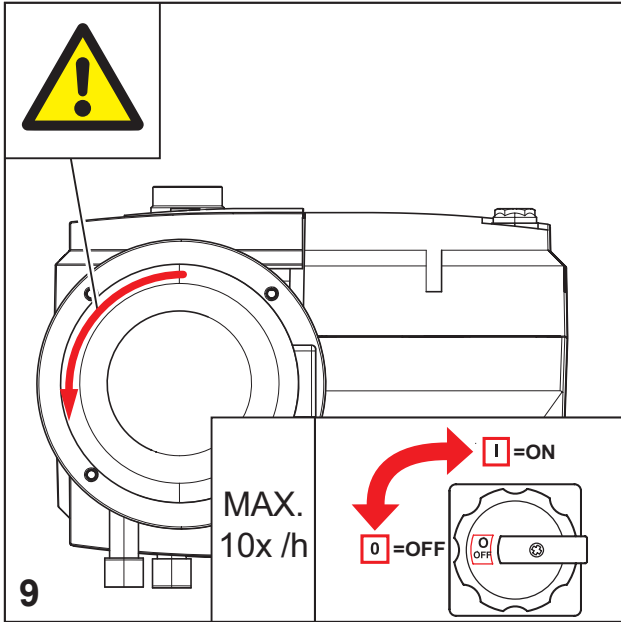
T_{MAX}

optional
en option
opcionale
opcional



No.: 94340190000 - 230V
No.: 94340190200 - 24VDC
No.: 94340190100 - 115V

8



A.

B.

C.

40 h

Becker Lube
M/S/SL 100

D.

E.

1. = 100 h
2. = 1.000 h
3. = 2.000 h
... (min. 2x/a)

F.

Becker Lube **M 100** (Mineral oil)
 ▷ No.: 96000900000 (1)
 ▷ No.: 96000900200 (5)
 Becker Lube **S 100** (Synthetic oil)
 ▷ No.: 96001600100 (1)
 ▷ No.: 96001600200 (5)
 Becker Lube **SL 100 Food**
 ▷ No.: 96002300100 (1)
 ▷ No.: 96002300200 (5)

7,0 Liter

MAX

40 - 200 h **AIR ?**

G.

1000 h

1. 2.

H.

2000 h

I.

Pos. 83

1. 2.

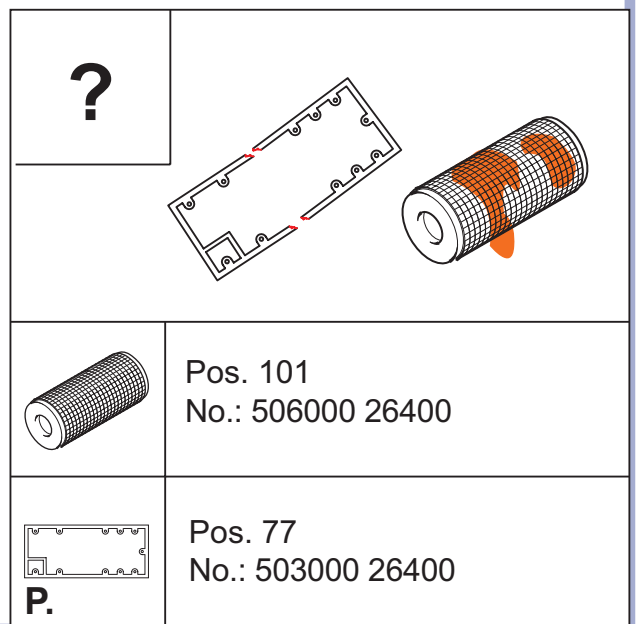
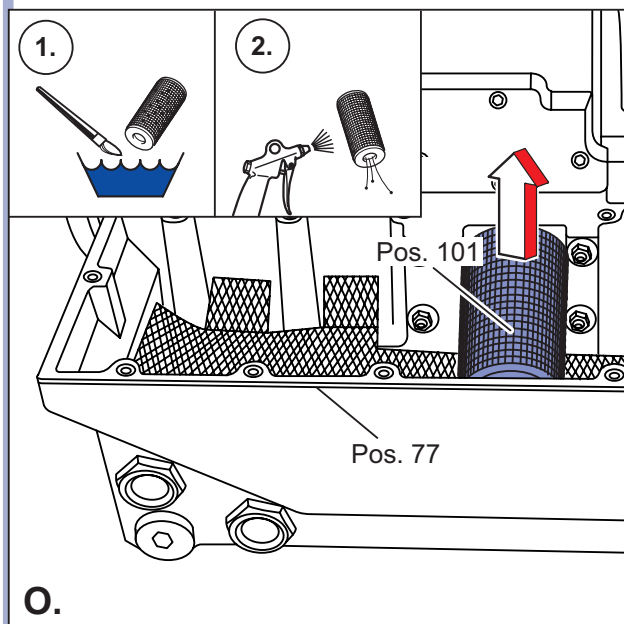
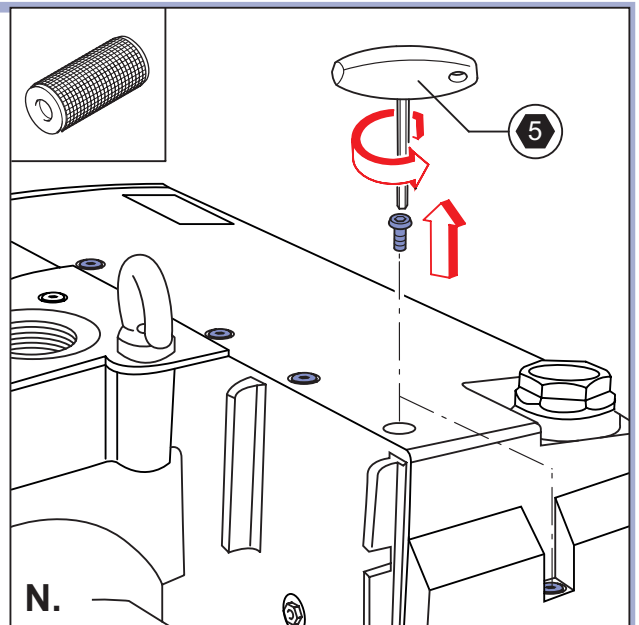
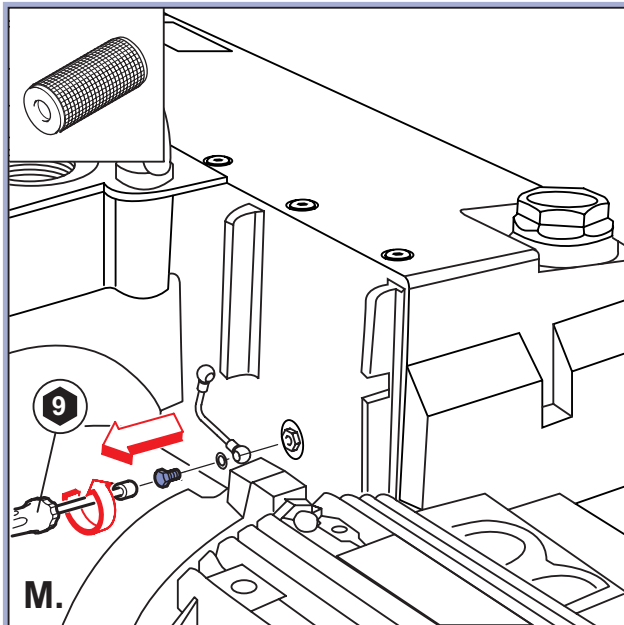
J.

2x Pos. 83
No.: 965415 00000

K.

5000 h

L.



BECKER

Gebr. Becker GmbH
Hölker Feld 29-31
D-42279 Wuppertal
info@becker-international.com

SERVICE
www.becker-international.com
Sales and service network