

**Betriebsanleitung**  
**Operating Instructions**  
**Instructions de service**  
**Istruzioni d'uso**  
**Handleiding**  
**Instrucciones para el manejo**  
**Manual de instruções**  
**Naudojimosi instrukcija**  
**Kasutusjuhend**  
**Lietošanas instrukcija**  
**Driftsinstruks**  
**Driftsinstruktioner**  
**Käyttöohje**  
**Driftsvejledning**  
**Instrukcja obsługi**

**Kezelési útmutató**  
**Нáвод k obsluze**  
**Navodilo za uporabo**  
**Нáвод на obsluhu**  
**Upute za rad**  
**Manual de operatii**  
**Treoracha Oibriúcháin**  
**Οδηγίες χρήσης**  
**Ei Kitabi**  
**Инструкция за експлоатация**  
**Инструкция по эксплуатации**  
**取扱説明書**  
**사용설명서**  
**使用说明书**

**U 4.40**


2006/42/EG




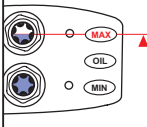
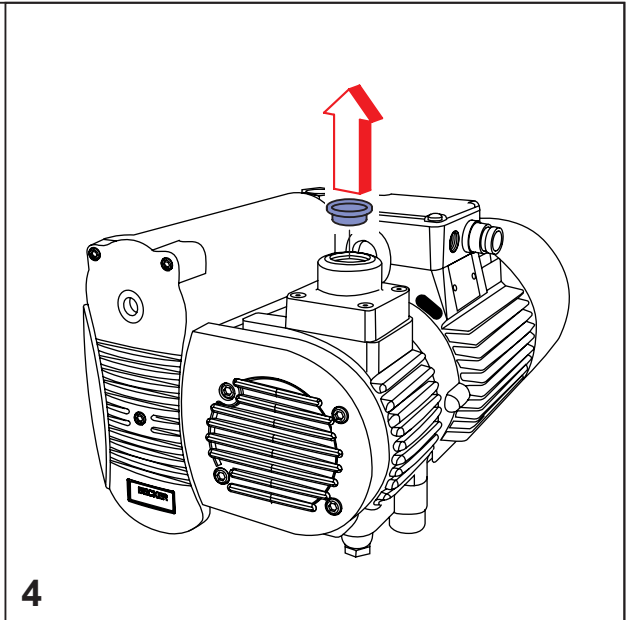
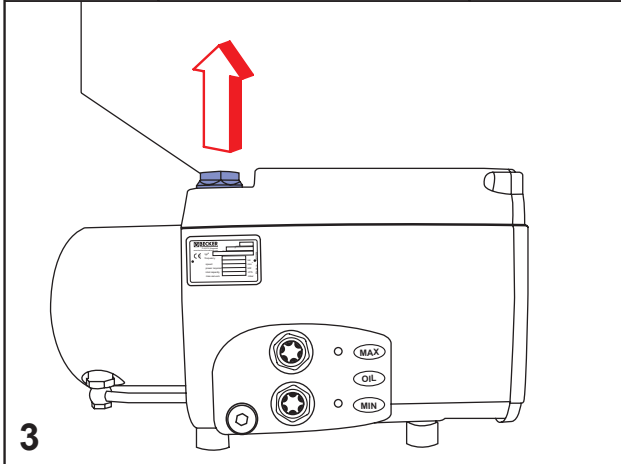
DIN EN ISO 9001  
 001929 QM  
 DIN EN ISO 14001:2015



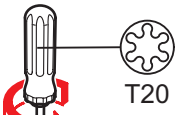
	<p>Becker Lube M/S/SL 100 ▷ 1,0 Liter</p>	<p><b>MAX. VACUUM</b></p>	<p>D-42279 Wuppertal www.becker-international.com</p> <p>CE type No. year</p> <p>frequency Hz</p> <p>speed min<sup>-1</sup></p> <p>power required kW</p> <p>inlet capacity m<sup>3</sup>/h</p> <p>max. vacuum <b>MAX. VACUUM</b> mbar</p>
			<p>D-42279 Wuppertal www.becker-international.com</p> <p>CE type No. year</p> <p>frequency Hz</p> <p>speed min<sup>-1</sup></p> <p>power required kW</p> <p>inlet capacity <b>MAX. V</b> m<sup>3</sup>/h</p> <p>max. vacuum mbar</p>
<p><b>AIR</b></p>		<p><b>MAX.</b></p>	<p>D-42279 Wuppertal www.becker-international.com</p> <p>CE type No. year</p> <p>frequency Hz</p> <p>speed min<sup>-1</sup></p> <p>power required kW</p> <p>inlet capacity <b>MAX. V</b> m<sup>3</sup>/h</p> <p>max. vacuum mbar</p>
		<p><b>STANDARD</b></p>	<p><math>L_{pA} = 69 \text{ dB(A)} - 50\text{Hz}</math></p> <p><math>L_{pA} = 71 \text{ dB(A)} - 60\text{Hz}</math></p> <p><math>K_{pA} = 3 \text{ dB(A)}</math></p>

		<p><math>A &gt; 100\text{mm}</math></p> <p><math>A &gt; 4"</math></p>	<p>&gt; 5°C/41°F &lt; 40°C/104°F</p>	<p>max. 90%</p>	<p>max. 800m</p>
<p><b>1</b></p> <p>38,0 kg 83,8 lbs</p>					



 Becker Lube **M 100** (Mineral oil)  
 ▷ No.: 96000900000 (1l)  
 Becker Lube **S 100** (Synthetic oil)  
 ▷ No.: 96001600100 (1l)  
 Becker Lube **SL 100 Food**  
 ▷ No.: 96002300100 (1l)

 1,0 Liter

   T20

**5**


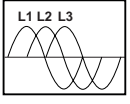
  Mat.Nr. XXXXXX ENXXXX CE  
 3~Mot. XXXXXXXX

<b>50 Hz</b>	XXKW	<b>60 Hz</b>	XXKW
XXX-XXX / XXX-XXX V Δ / Y		XXX-XXX / XXX-XXX V Δ / Y	
XX-XX / XX-XX A		XX-XX / XX-XX A	
cos φ 0,XX-0,XX		cos φ 0,XX-0,XX	
XXXX-XXXX /min		XXXX-XXXX /min	

XX kg

**6**


**3 ph**

  L1 L2 L3

L1 L2 L3

U1 V1 W1

M 3~



**MAX.**  
10x /h

**0** = OFF **I** = ON

**8**

**1 ph**

L U1 Z1

N Z1

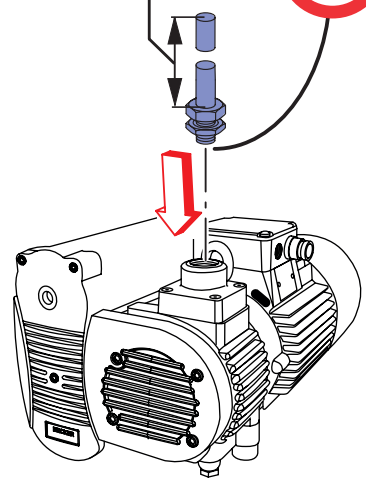
U2/Z2

$\vartheta = 80^{\circ}\text{C}$

$\vartheta = 150^{\circ}\text{C}$

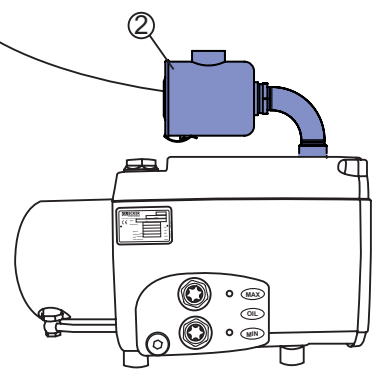
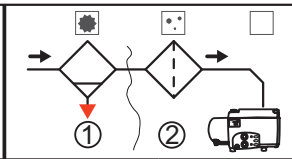
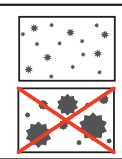
**7**

< 2m      $\phi 1''$   
 > 2m...10m      $\phi 1\frac{1}{2}''$



9

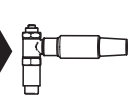
optional  
 en option  
 optionale  
 opcional



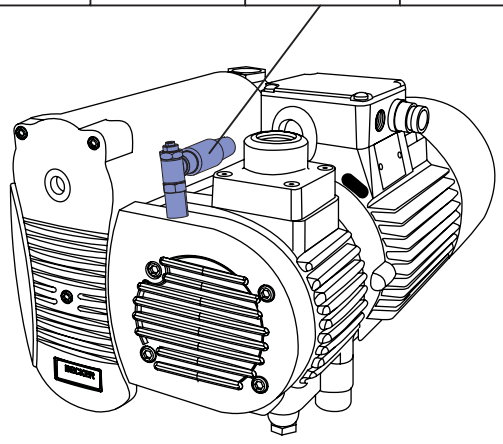
10



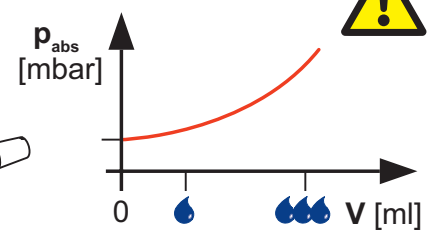
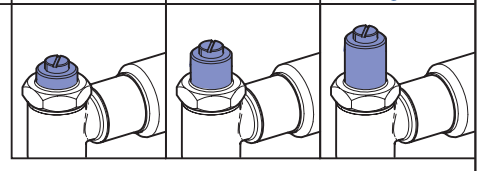
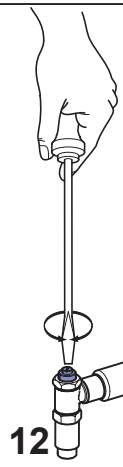
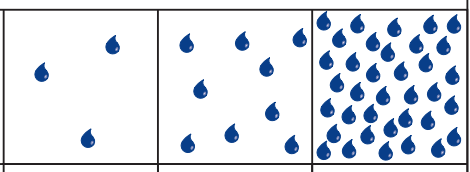
? AIR



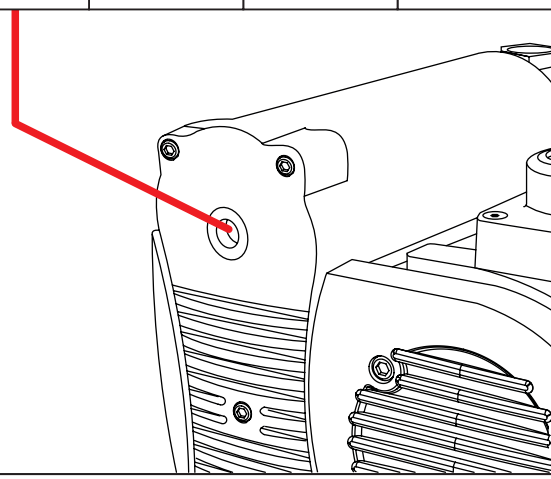
optional  
 en option  
 optionale  
 opcional



11



12



13

**A.**

**B.**

**C.**

MAX  
MIN

40 h

Becker Lube M/S/SL 100

**D.**

**E.**

1. = 100 h  
2. = 500 h  
3. = 1.000 h  
... (min. 2x/a)

Oil

10

**F.**

Becker Lube M 100 (Mineral oil)  
▷ No.: 96000900000 (1l)  
Becker Lube S 100 (Synthetic oil)  
▷ No.: 96001600100 (1l)  
Becker Lube SL 100 Food  
▷ No.: 96002300100 (1l)

1,0 Liter

40 - 200 h **AIR ?**

**G.**

1000 h

1. 2.

**H.**

2000 h

T [°C]

T<sub>1</sub>

T<sub>2</sub>

t [h]

5

**I.**

Pos. 58  
No.: 9654140000

Pos. 58

1. 2.

**J.**

Clean

**K.**

The illustration shows a technician wearing a hard hat and safety glasses, holding a magnifying glass over a document. The document has a large question mark and an information icon (a lowercase 'i' with a plus sign). To the left, there is a smaller image of a manual cover with the BECKER logo and text in multiple languages: "Becker-Handbuchs", "Operating instructions", "Instructions de service", "Manual de utilizare", "Becker-Handbuchs", "Diffraktion", "Käyttöohje", "Instrucțiunile de utilizare", "Manual de instrucțiuni", "Risoluzione problemi". Below the manual is a globe icon and the website address [www.becker-international.com](http://www.becker-international.com).



Gebr. Becker GmbH  
Hölker Feld 29-31  
D-42279 Wuppertal  
[info@becker-international.com](mailto:info@becker-international.com)

A world map is shown in the background. Overlaid on the map is the word **SERVICE** in large, bold, black letters. Below the word is the website address [www.becker-international.com](http://www.becker-international.com) and the text "Sales and service network".