

Betriebsanleitung
Operating Instructions
Instructions de service
Istruzioni d'uso
Handleiding
Instrucciones para el manejo
Manual de instruções
Naudojimosi instrukcija
Kasutusjuhend
Lietošanas instrukcija
Driftsinstruks
Driftsinstruktioner
Käyttöohje
Driftsvejledning
Instrukcja obsługi

Kezelési útmutató
Нáвод k obsluze
Navodilo za uporabo
Нáвод на obsluhu
Upute za rad
Manual de operatii
Treoracha Oibriúcháin
Οδηγίες χρήσης
Ei Kitabi
Инструкция за експлоатация
Инструкция по эксплуатации
取扱説明書
사용설명서
使用说明书

U 5.100


2006/42/EG



DIN EN ISO 9001
 001929 QM
 DIN EN ISO 14001:2015

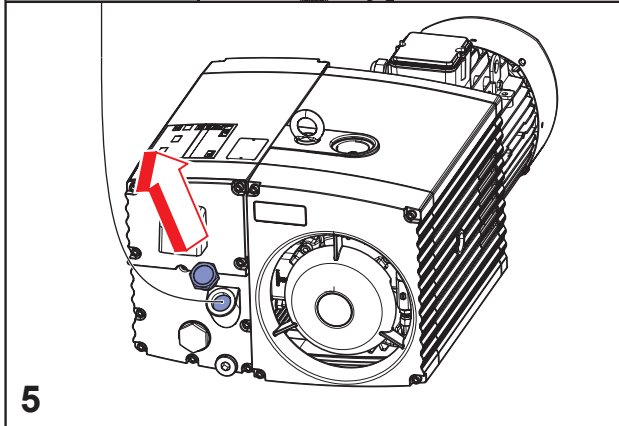
	<p>Becker Lube M/S/SL 100 ▷ 2,0 Liter</p>		<p>MAX. VACUUM</p>		<p>mbar</p>
	<p>AIR</p>				
<p>1</p>			<p>DIN EN ISO 3744</p>	<p> $L_{pA} = 65 \text{ dB(A) - 50Hz}$ $L_{pA} = 68 \text{ dB(A) - 60Hz}$ $K_{pA} = 3 \text{ dB(A)}$ </p>	<p>2</p>

			<p>67 kg 148 lbs</p>		<p>0 10 20 30 40 T [°C]</p>	<p>Avoid condensation</p> <p>max. 90%</p>	<p>≤1000m >1000m</p>
<p>3</p>				<p>4</p>			



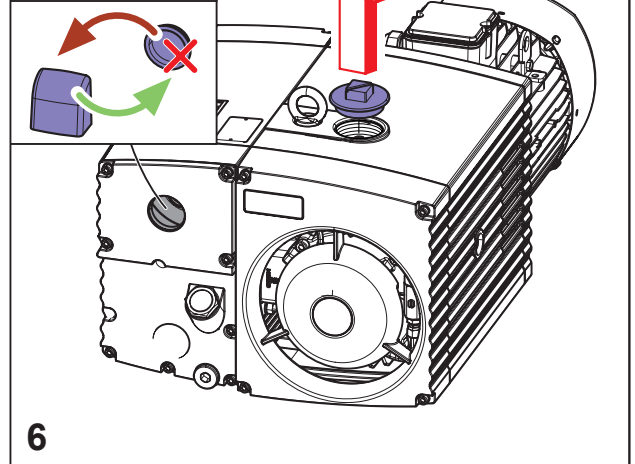



▶ E4
2.0 Liter
MAX




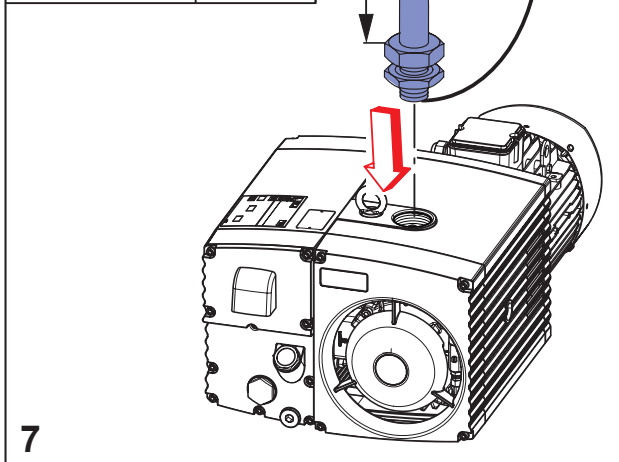


exhaust air has to
 escape without back-
 pressure (max. +0,1bar)

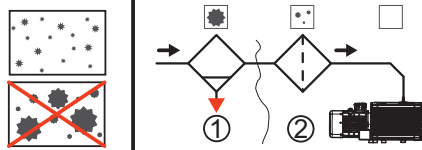


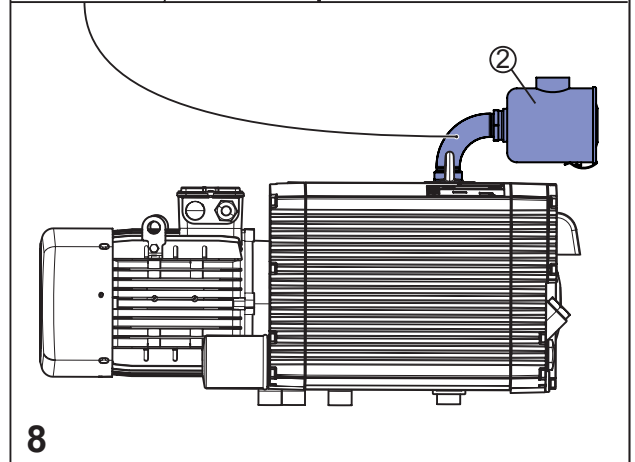
Standard	
≤ 2m	φ 1¼"
> 2m...10m	φ 1½"




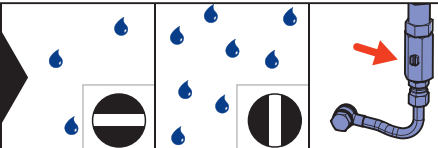


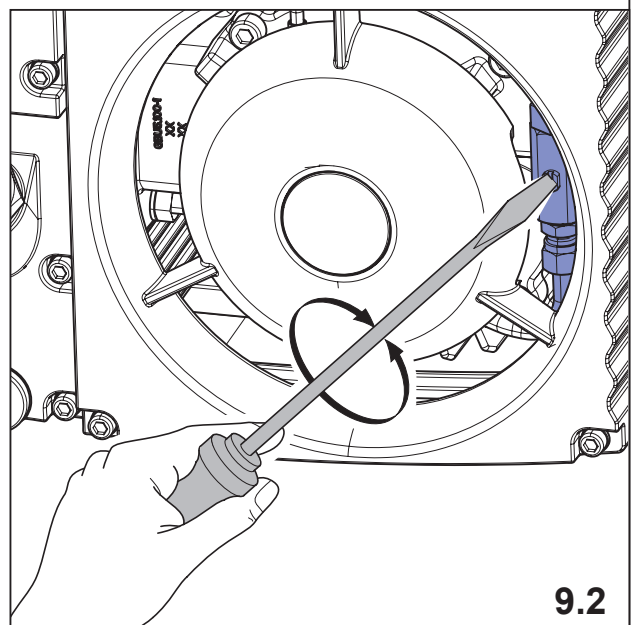
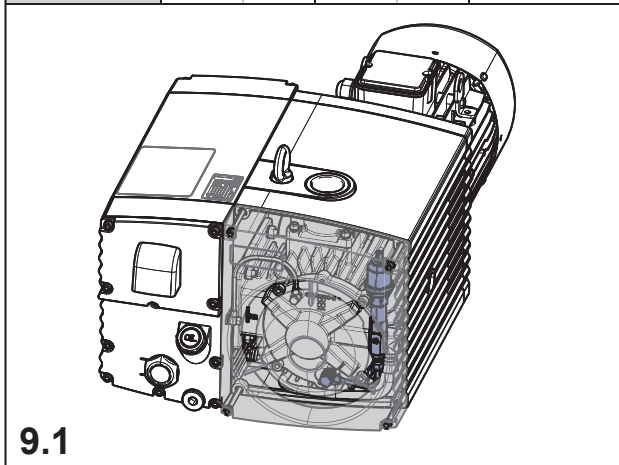
optional
 en option
 optionale
 opcional

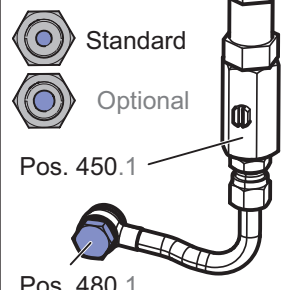
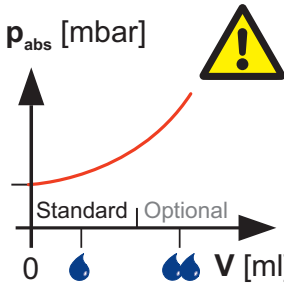


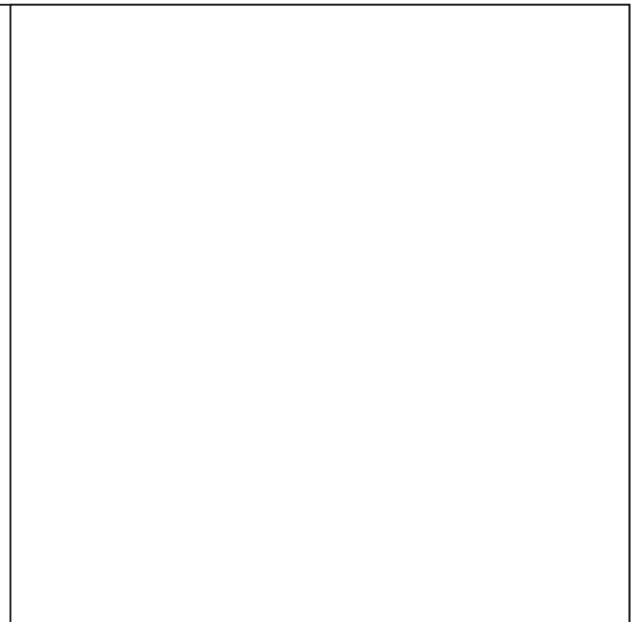



AIR
?





 <p>Standard Optional</p> <p>Pos. 450.1</p> <p>Pos. 480.1</p>	<p>p_{abs} [mbar]</p>  <p>Standard Optional</p> <p>0 V [ml]</p>
<p>Standard</p> <p>Pos. 450</p> <p>Pos. 480</p>	<p>0.1/0.5 mbar [abs]</p> <p>No.:76875199626</p> <p>No.:54840054100</p>
<p>Optional</p> <p>Pos. 450.1</p> <p>Pos. 480.1</p>	<p>0.1/3.0 mbar [abs]</p> <p>No.:76875499626</p> <p>No.:94840100000</p>
<p>9.3</p>	

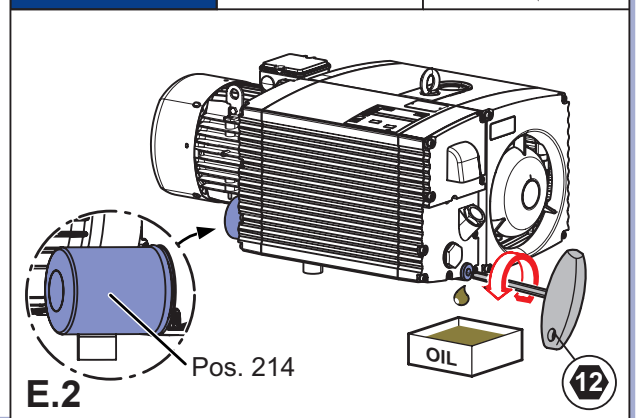
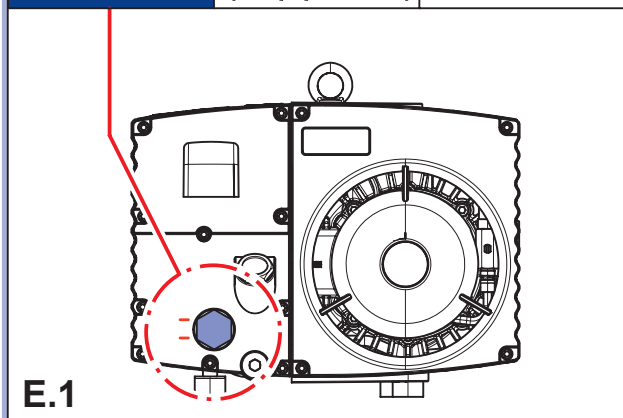
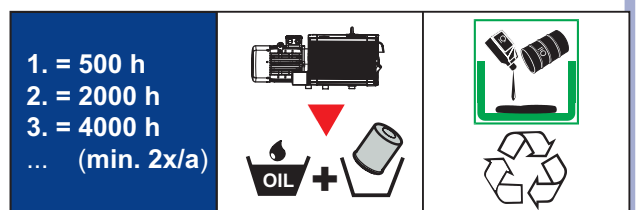
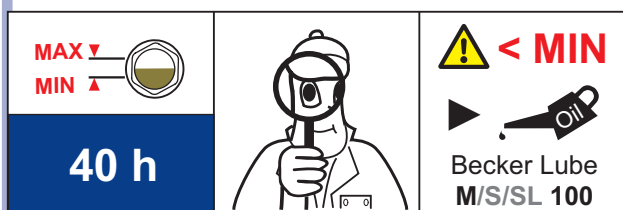
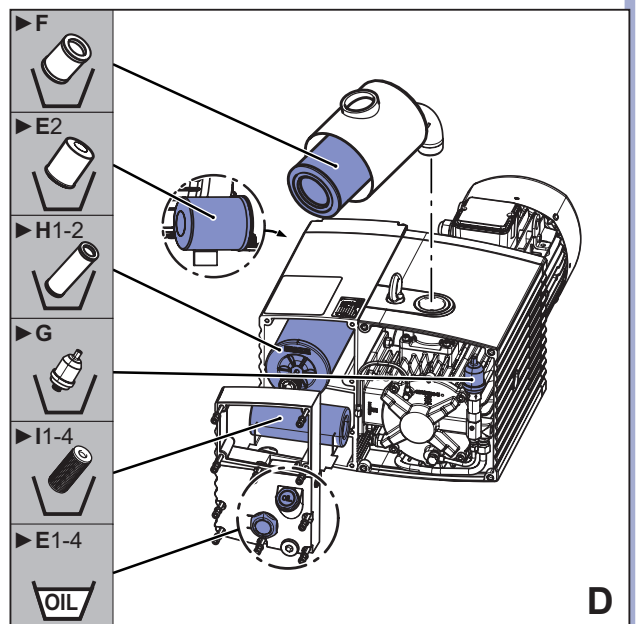
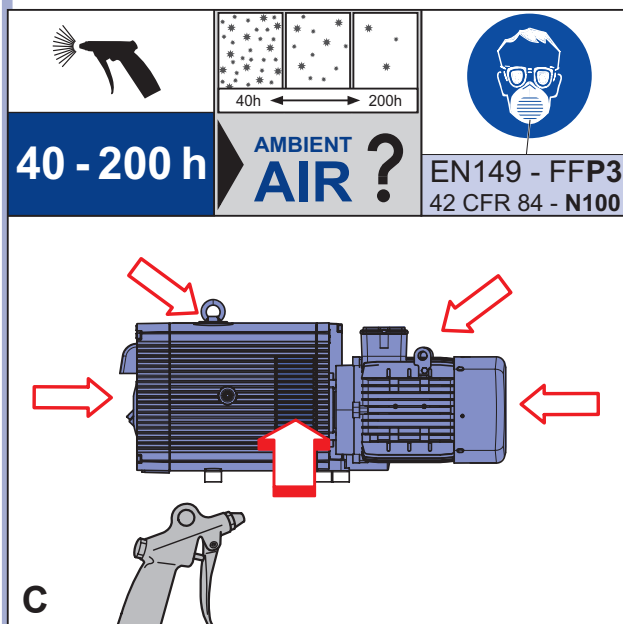
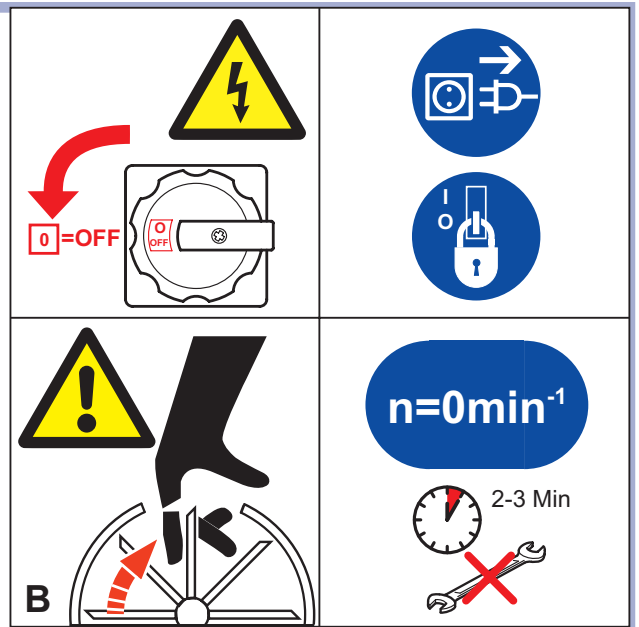
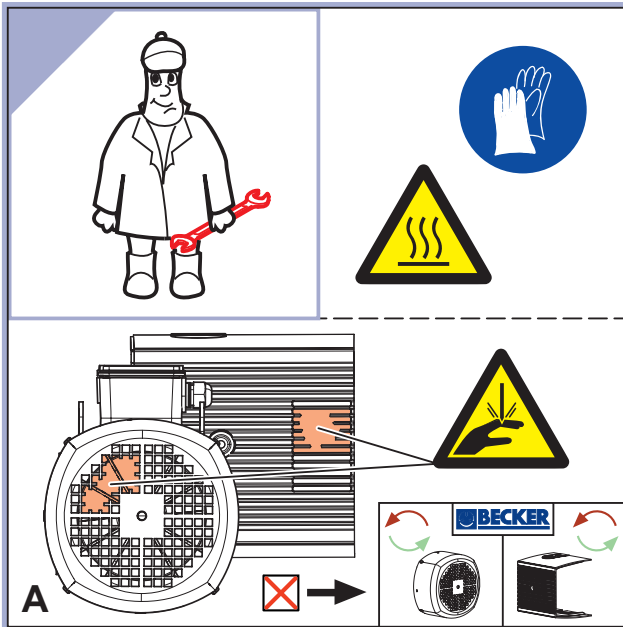


10.1

10.2

10.3

10.4



E4 **Oil**

2.0 Liter

MAX

E.3

Oil

S 100
M 100
SL 100

0 10 20 30 40 T [°C]

Becker Lube M 100
(Mineral oil)

- 1 Liter	96000900000
- 5 Liter	96000900200

Becker Lube S 100
(Synthetic oil)

- 1 Liter	96001600100
- 5 Liter	96001600200

Becker Lube SL 100
(Food)

- 1 Liter	96002300100
- 5 Liter	96002300200

E.4

MIN

1x/a

40 - 200 h **INTAKE AIR ?**

40h → 200h

F

MIN

1x/a

Pos. 576

G

MAX **2000 h** **INTAKE AIR ?** **VACUUM**

0-400 mbar abs. ~~400 mbar abs. not permitted~~

500h → 2000h

10x **14Nm**

H.1

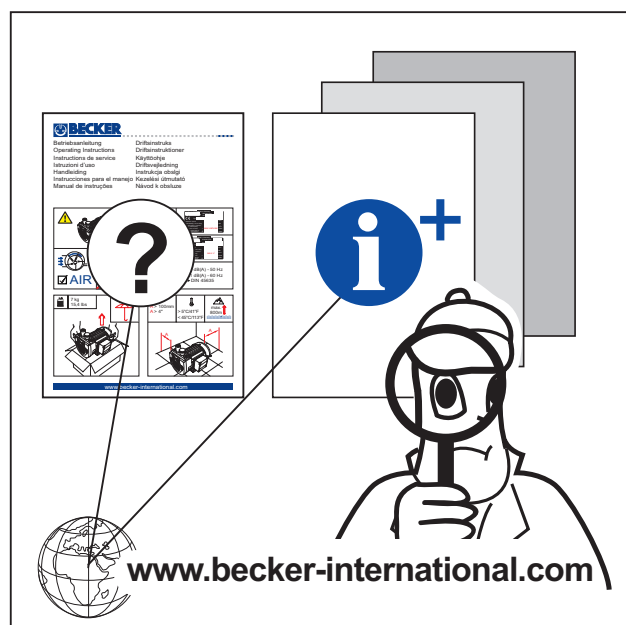
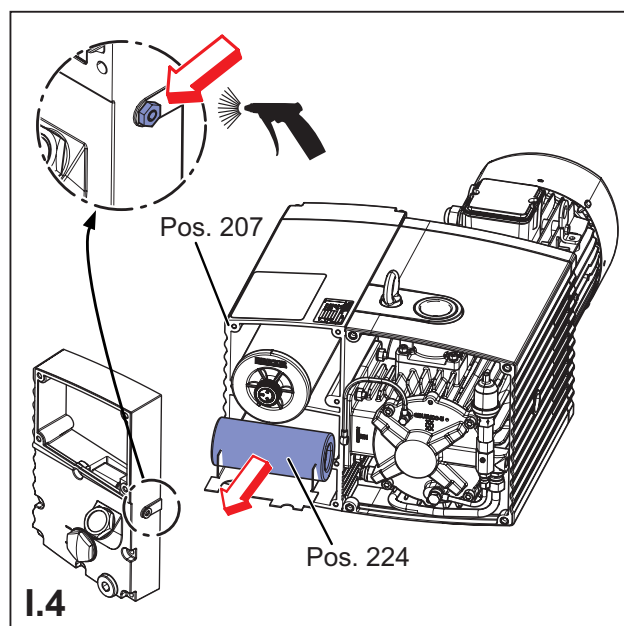
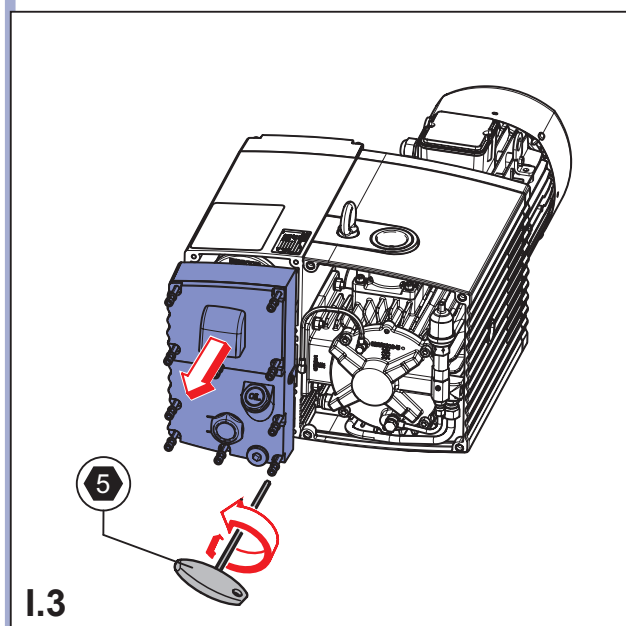
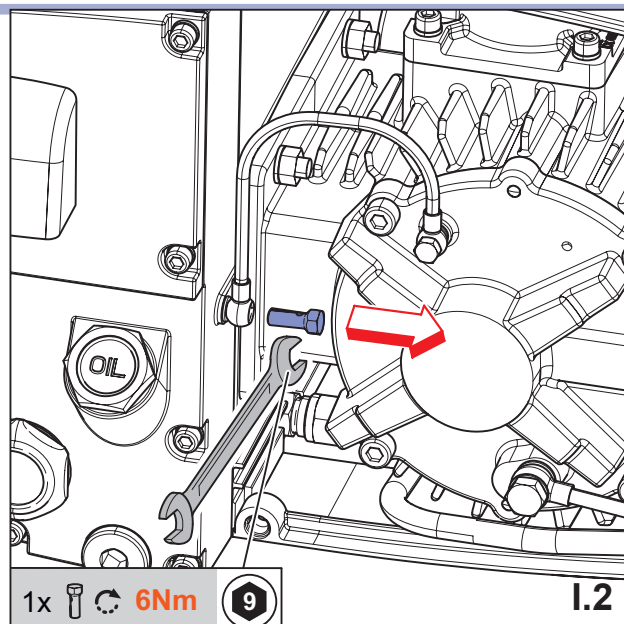
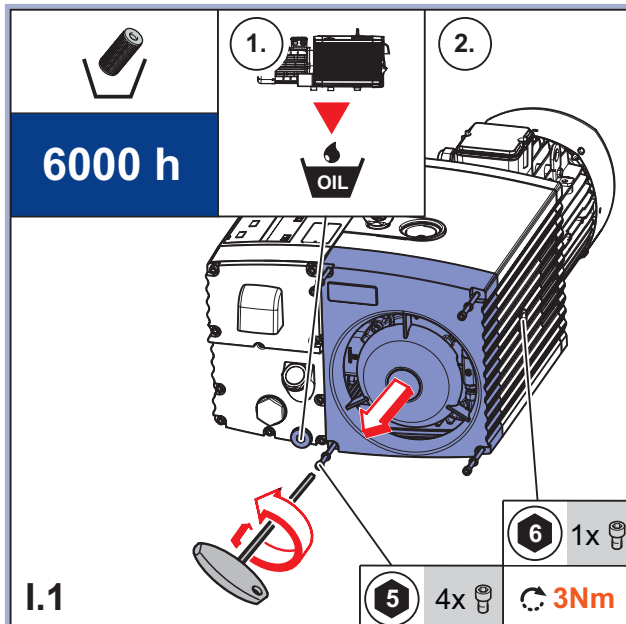
T [°C]

T_{fl} **T_{MAX}**

2000 **t [h]**

Pos. 233 **Pos. 222**

H.2



BECKER

Gebr. Becker GmbH
Hölker Feld 29-31
D-42279 Wuppertal
info@becker-international.com

SERVICE

www.becker-international.com

Sales and service network