

Betriebsanleitung  
 Operating Instructions  
 Instructions de service  
 Istruzioni d'uso  
 Handleiding  
 Instrucciones para el manejo  
 Manual de instruções  
 Naudojimosi instrukcija  
 Kasutusjuhend  
 Lietošanas instrukcija  
 Driftsinstruks  
 Driftsinstruktioner  
 Käyttöohje  
 Driftsvejledning  
 Instrukcja obsługi

Kezelési útmutató  
 Návod k obsluze  
 Navodilo za uporabo  
 Návod na obsluhu  
 Upute za rad  
 Manual de operatii  
 Treoracha Oibriúcháin  
 Οδηγίες χρήσης  
 El Kitabi  
 Инструкции за експлоатация  
 Инструкция по эксплуатации  
 取扱説明書  
 사용설명서  
 使用说明书

U 5.200

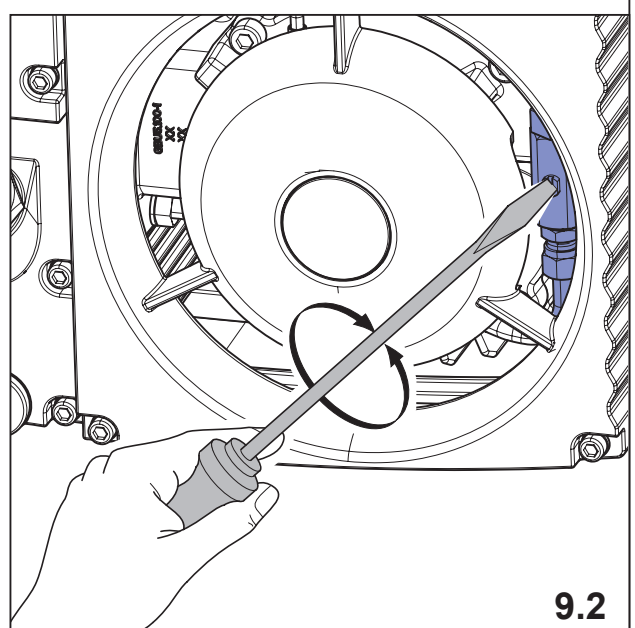
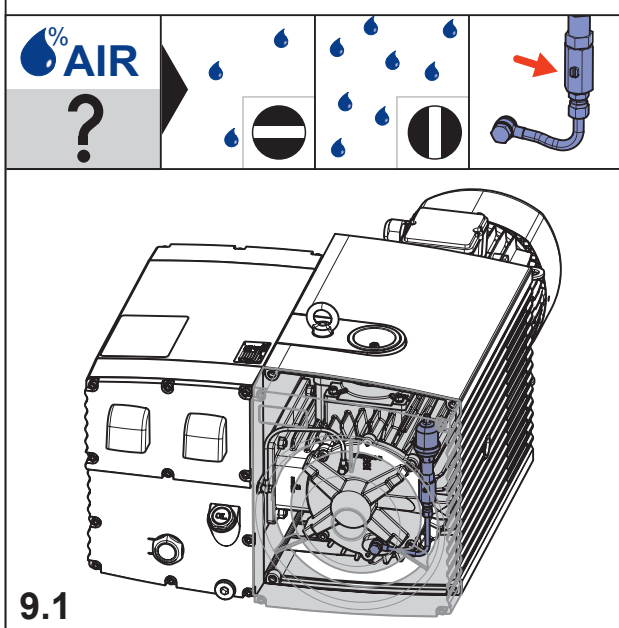
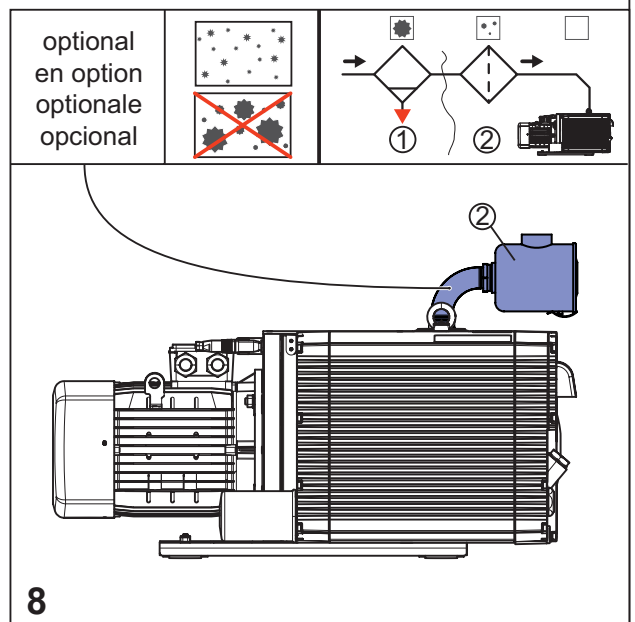
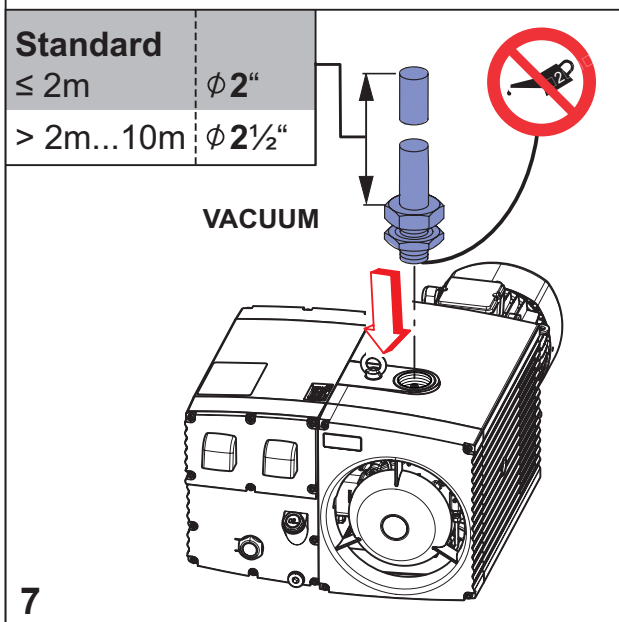
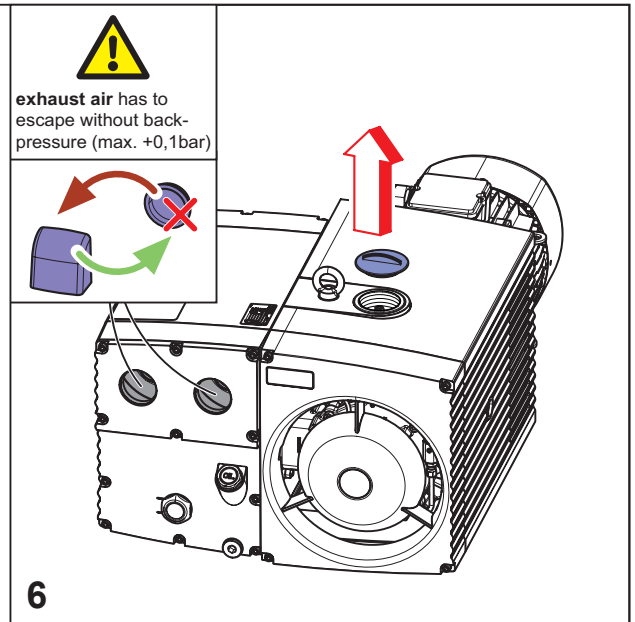
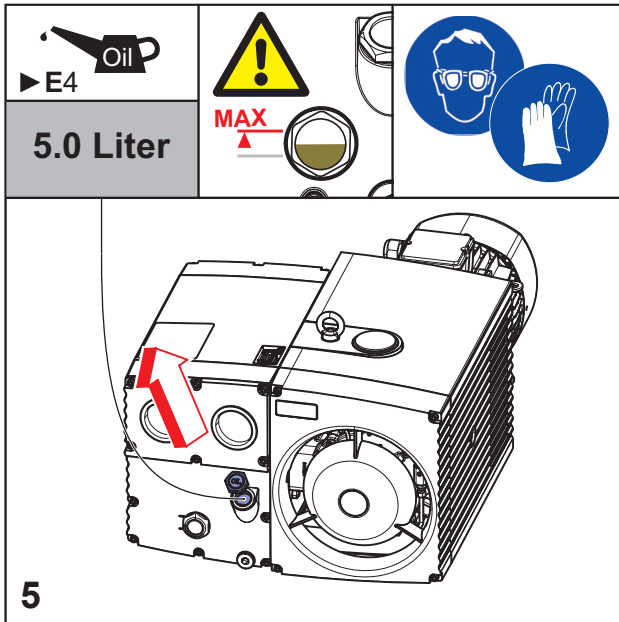
2006/42/EG





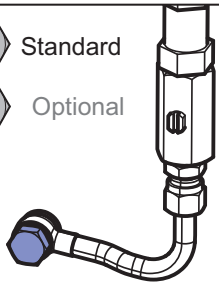
DIN EN ISO 9001  
 001929 QM  
 DIN EN ISO 14001:2015


	<p>Becker Lube M/S/SL 100 ▷ 5.0 Liter</p>	<p><b>MAX. VACUUM</b></p>	<p><b>MAX. VACUUM</b> mbar</p>
			<p><b>MAX.</b></p>
<p><b>AIR</b></p>			<p> <math>L_{pA} = 72 \text{ dB(A) - 50Hz}</math>  <math>L_{pA} = 74 \text{ dB(A) - 60Hz}</math>  <math>K_{pA} = 3 \text{ dB(A)}</math> </p>

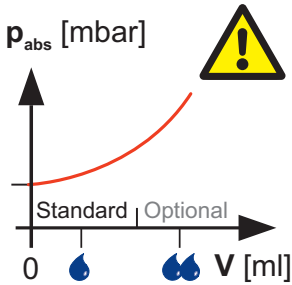
	<p>119 kg 263 lbs</p>	<p>0 10 20 30 40 T [°C]</p>	<p>max. 90%</p>	<p>≤1000m &gt;1000m</p>
		<p>S 100 M 100 SL 100</p>		<p> <math>&gt; 0^{\circ}\text{C}/32^{\circ}\text{F}</math>  <math>&lt; 40^{\circ}\text{C}/104^{\circ}\text{F}</math>  <math>A &gt; 100\text{mm}</math>  <math>A &gt; 4''</math> </p>





 Standard  
 Optional



$p_{abs}$  [mbar] 




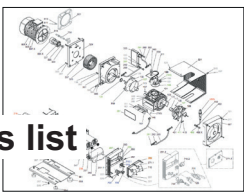

Standard | Optional

0   V [ml]

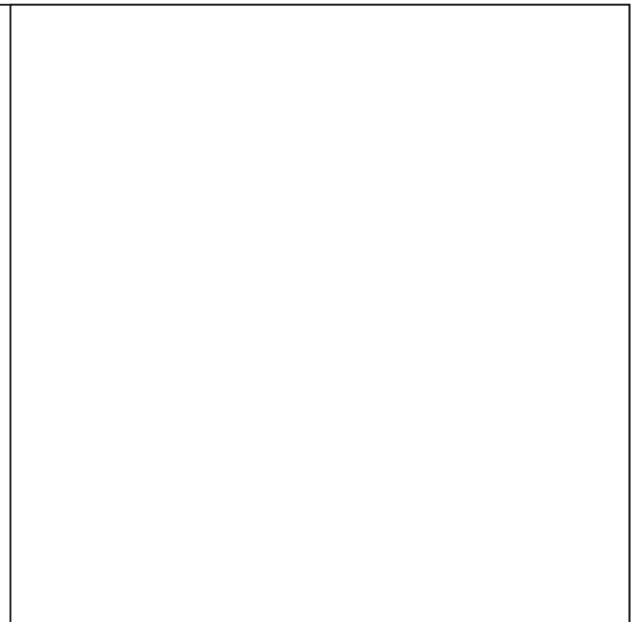
---




**Standard**      0.1/0.5 mbar [abs]  
**Optional**      0.1/3.0 mbar [abs]

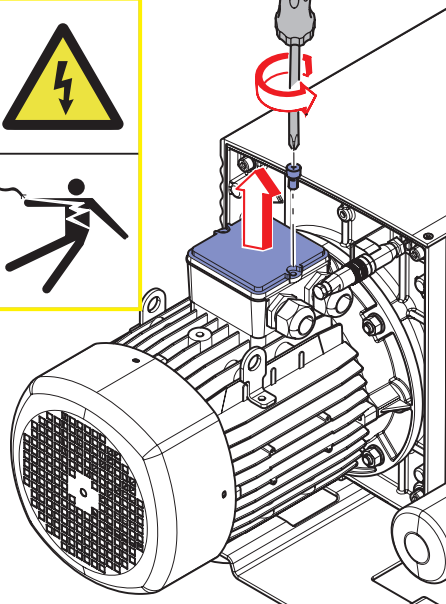
 +  
**Spare parts list**


9.3




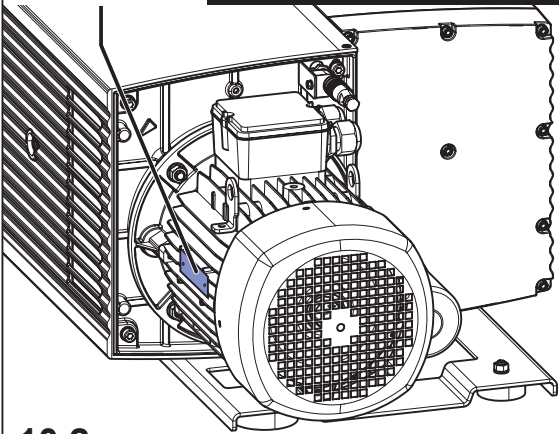







10.1

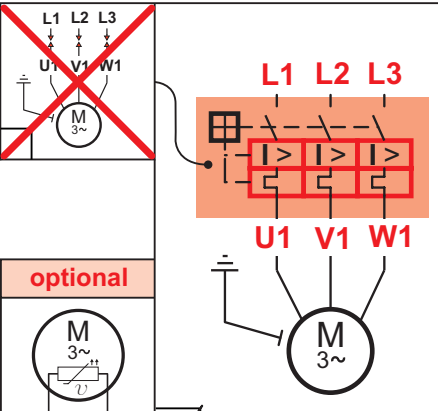
 +


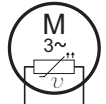
		Mat.Nr. XXXXXX	ENXXXX	CE
NoUn XXXXXXX		3~Mot. XXXXXXXX	xx	
<b>50 Hz</b> XXX-XXX / XXX-XXX V $\Delta$ /Y XX-XX / XX-XX A cos $\varphi$ 0.XX-0.XX XXXX-XXXX /min	<b>60 Hz</b> XXXKW XXX-XXX / XXX-XXX V $\Delta$ /Y XX-XX / XX-XX A cos $\varphi$ 0.XX-0.XX XXXX-XXXX /min			XX kg

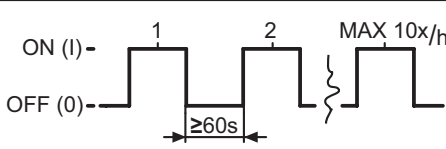


10.2




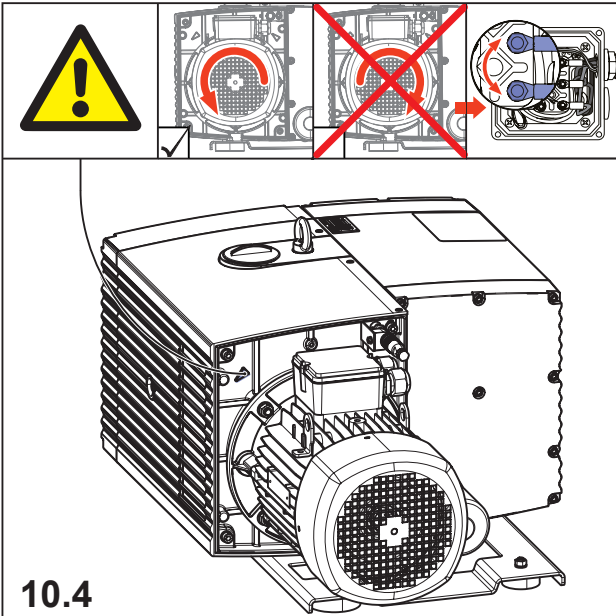


standard      optional  
 Bi-metal  
 PTC

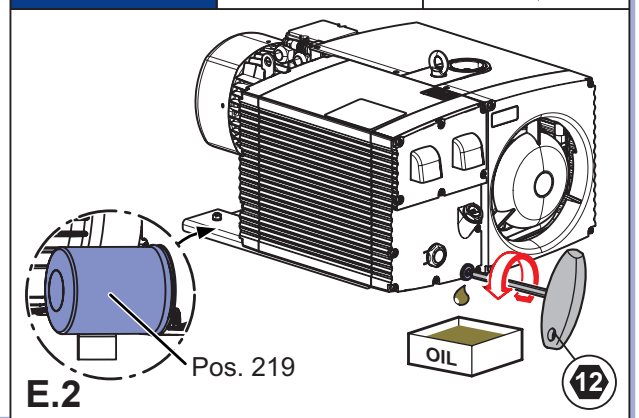
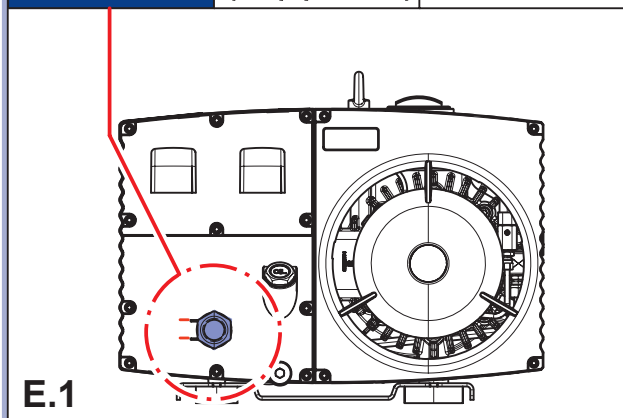
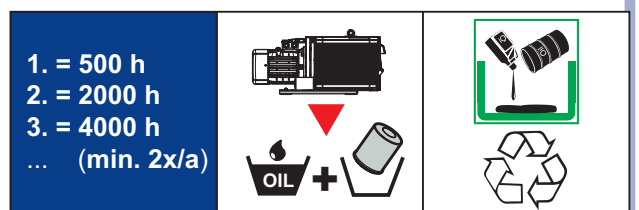
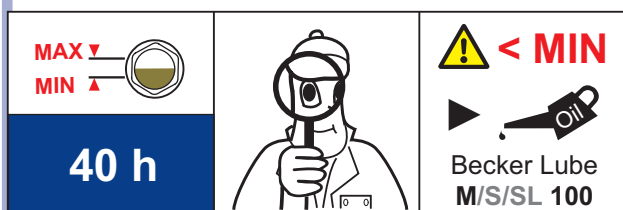
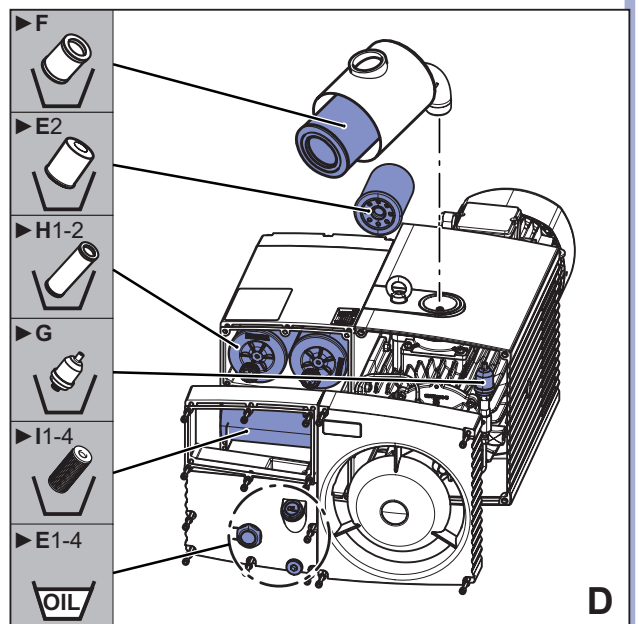
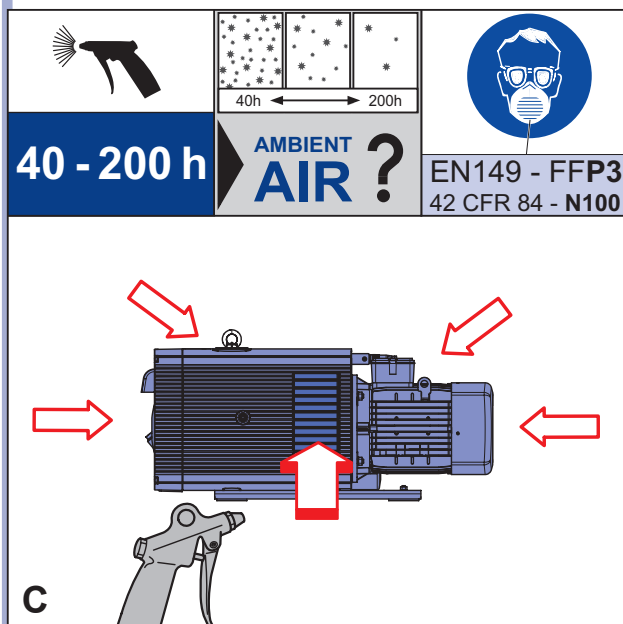
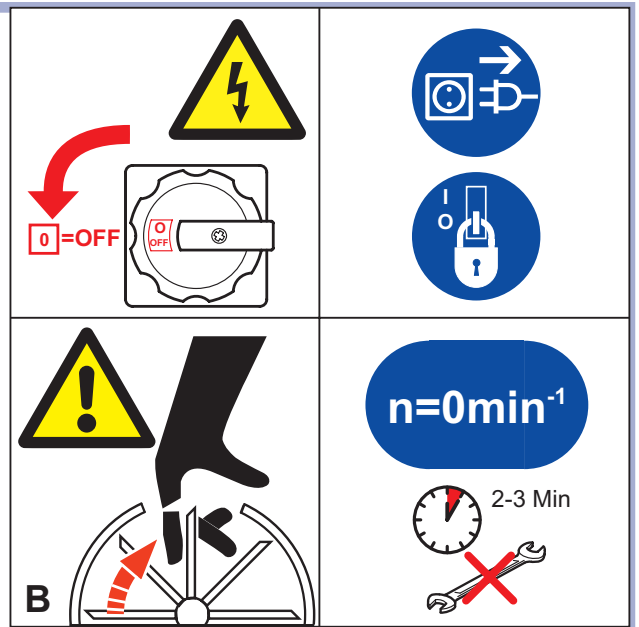
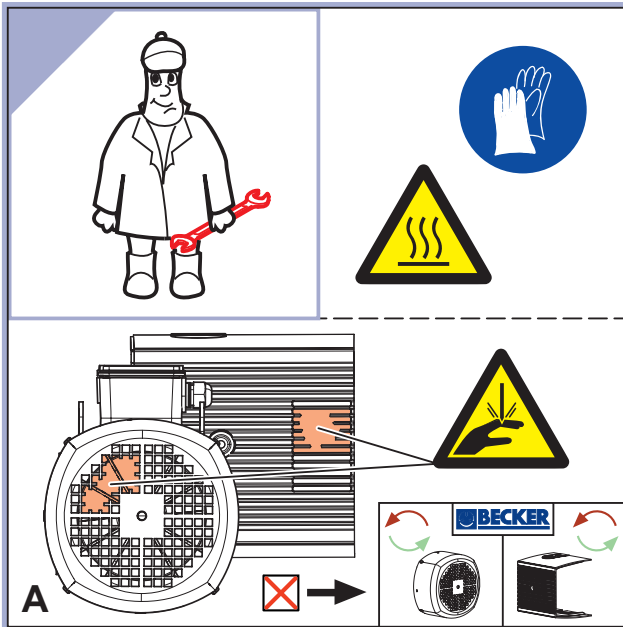


10.3





10.4





**E4** **Oil**

**5.0 Liter**

**MAX**

**E.3**

**Oil**

**S 100**  
**M 100**  
**SL 100**

0 10 20 30 40 T [°C]

**Becker Lube M 100**  
(Mineral oil)

- 1 Liter	96000900000
- 5 Liter	96000900200

**Becker Lube S 100**  
(Synthetic oil)

- 1 Liter	96001600100
- 5 Liter	96001600200

**Becker Lube SL 100**  
(Food)

- 1 Liter	96002300100
- 5 Liter	96002300200

**E.4**

**MIN 1x/a**

40h → 200h

**40 - 200 h** **INTAKE AIR ?**

**F**

**MIN 1x/a**

Pos. 455

**G**

**MAX 2000 h** **INTAKE AIR ?** **VACUUM**

0-400 mbar abs. ~~400 mbar abs. not permitted~~

500h → 2000h

**11x** **11Nm**

**H.1**

T [°C]

T<sub>fl</sub>

T<sub>MAX</sub>

MAX 2000 t [h]

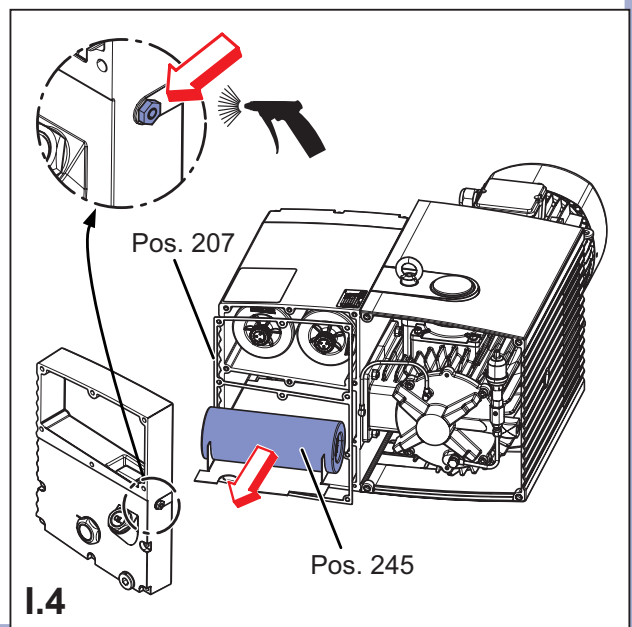
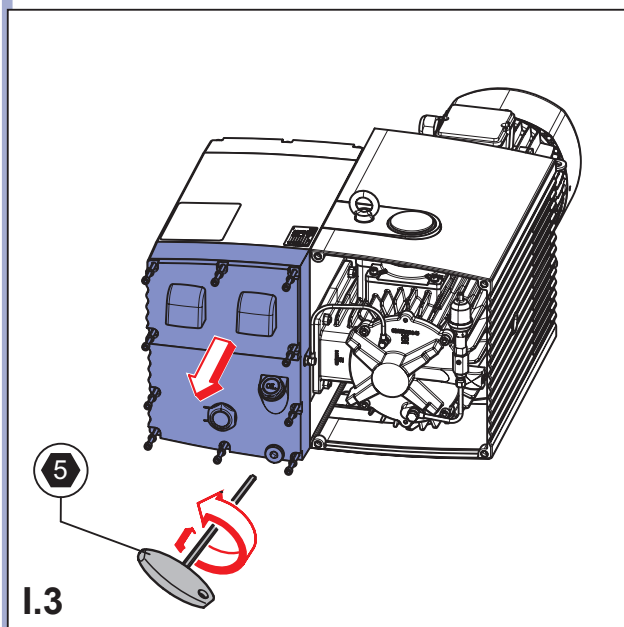
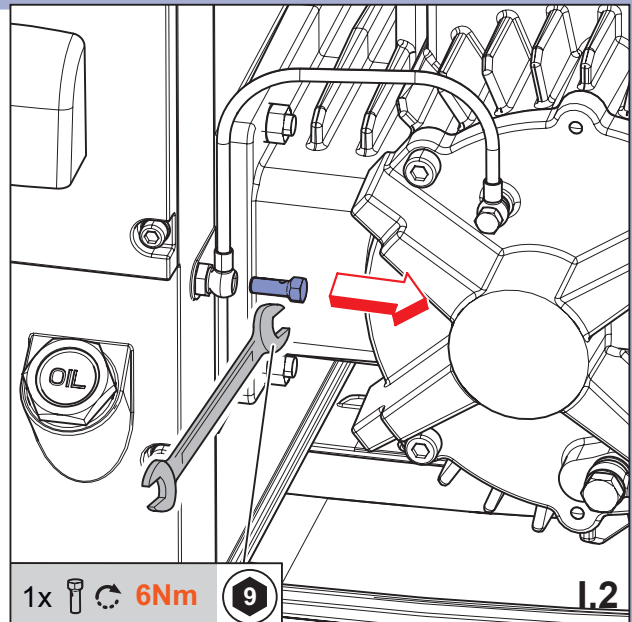
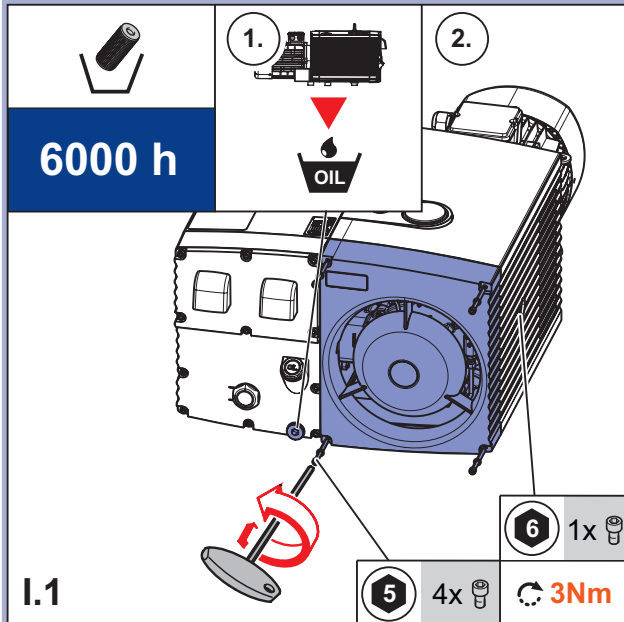
Pos. 269

1.

2.

Pos. 235

**H.2**



**BECKER**

Gebr. Becker GmbH  
 Hölker Feld 29-31  
 D-42279 Wuppertal  
 info@becker-international.com

---

**SERVICE**

[www.becker-international.com](http://www.becker-international.com)

Sales and service network